

DIFFERENTIAL PARTS CATALOGUE
QG-4, 2007



Table of Contents

Table of Contents	2
How to use this catalogue	4
Payment & shipping options	4
When to specify traction-aiding differentials ..	5
Identification guide	9
Axle Reference Chart	13

GM SECTION

GM 7 1/4 - independent front suspension	14
GM 7 1/2 - 10 bolt differential	18
GM 7 1/2 - locking differential	22
GM 8 - 10 bolt rear differential	24
GM 8.2 - 10 bolt rear differential	28
GM 8 1/4 - independent front suspension	32
GM 8 1/2 - 10 bolt front & rear differential	34
GM 8 1/2 - 10 bolt locking differential	42
GM 8.6 - 10 bolt rear differential	44
GM 8 7/8 - 12 bolt rear differential - car	48
GM 8 7/8 - 12 bolt rear differential - truck	52
GM 8 7/8 - 12 bolt locking differential - truck	56
GM 9 1/4 - independent front suspension (1988 & up)	58
GM 9 1/2 - 14 bolt semi-float open differential (1981 & up)	62
GM 9 1/2 - 14 bolt locking differential	66
GM 10 1/2 - 14 bolt rear differential	68
GM 10 1/2 - 14 bolt locking differential	74
GM 11 1/2 - 14 bolt rear differential	76

FORD SECTION

FORD 7 1/2 - differential	78
FORD 8 - open differential	82
FORD 8.8 - open & locking differential	86
FORD 9 - open differential	92
FORD 9 - locking differential	98
FORD 9 3/4 - truck	100
FORD 10 1/4 - open & locking differential	104

CHRYSLER SECTION

CHRYSLER 7 1/4 - rear differential	110
CHRYSLER 8.25 & 8.375 - rear differential	112
CHRYSLER 8 3/4	116,118,120
CHRYSLER 9 1/4 - rear differential	122

DODGE SECTION

DODGE RAM 2500 10.5" (AAM) 2003+	126
DODGE RAM 2500 & 3500, 9.25" (AAM) 2003+	130
DODGE RAM 3500 11.5" (AAM) 2003+	132

TOYOTA SECTION

TOYOTA - differential	134
-----------------------------	-----

HOW TO ORDER

genuine SPICER differential parts	138
--	-----

REPLACEMENT DANA DIFFERENTIAL PARTS

DANA 28	140
DANA 30	142
DANA 35	146
DANA 44	150

DANA 50	154
DANA 60	156
DANA 70	160
DANA 80	164

AMC SECTION

AMC 20 - rear differential	168
----------------------------------	-----

REBUILD KITS

GM - REM 725 IFS	17
GM - R1075	19
GM - REM 80-GM	27
GM - R1082	29
GM - R10IFS	33
GM - R10/R10E	37
GM - R1098	45
GM - R12 (Car)	49
GM - R12TR (Truck)	53
GM - REM925IFS	61
GM - R1495	65
GM - RA14 (1972 - 87)	71
GM - RA14A (1988 & Up)	71
GM - RA1150	77
FORD - R75	79
FORD - R80	83
FORD - R88	89
FORD - R9A (Popular Bore)	95
FORD - R9B (Small Bore)	95
FORD - REM975	101
FORD - REM975L	103
FORD - RA1025	107
FORD - R1025	107
FORD - R1050	107
CHRYSLER - R725R	111
CHRYSLER - R825R	113
CHRYSLER - R875B	117
CHRYSLER - R875RA	119
CHRYSLER - R875R	121
CHRYSLER - RA925R	123
CHRYSLER - R925R	125
DODGE - R1050-D	127
DODGE - RA1050-D	129
DODGE - RA1495	131
DODGE - R1150	133
TOYOTA - REM78FR	137
DANA - REM30	143
DANA - REM30IFS	145
DANA - R35CJ	147
DANA - REM35CJ	149
DANA - REM35IFS	149
DANA - REM44	153
DANA - REM50IFS	155
DANA - REM60	157
DANA - REM60A	159
DANA - REM70(HD)	161

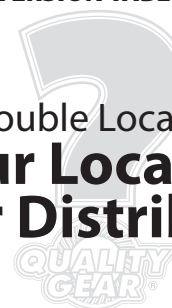
Table of Contents

DANA - REM71	163
DANA - REM80 DS(L)	165
AMC - R20R	171
NEST KITS	
GM - 26056137	17
GM - GM7.5-SPGK	21
GM - GM7.5-SPGK28	21
GM - GM8-SPGK	27
GM - GM8.2-SPGK	29
GM - GM8.25-SPGK	33
GM - GM10-SPGK28	39
GM - GM10-SPGK30	39
GM - GM10-SPGK30-00	39, 47
GM - GM10-SPGK30-99	39, 47
GM - GM12-SPGK	51, 55
GM - GM9.5-SPGK	61, 65
GM - GM14-SPGK	73
GM - GM11.5-SPGK	77
FORD - F7.5-SPGK	81
FORD - F8-SPGK	85
FORD - F8.8-SPGK28	89
FORD - F8.8-SPGK31 early	89
FORD - F8.8-SPGK31 late	89
FORD - F8.8-SPGK31-TL	89
FORD - F8.8-SPGK31-TLC	91
FORD - F9-SPGK28-2	95
FORD - F9-SPGK31-2	95
FORD - F9-SPGK28-4	97
FORD - F9-SPGK31-4	97
FORD - F9-SPGK28-TL	99
FORD - F9-SPGK31-TL	99
FORD - F10.25-SPGK	109
CHRYSLER - C7.25-SPGK	111
CHRYSLER - C8.25-SPGK	113
CHRYSLER - C8.25-SPGK29	115
CHRYSLER - C9.25-SPGK	125
DODGE - C10.5-SPGK	129
DODGE - GM9.5-SPGK	131
DODGE - C11.5-SPGK	133

LIMITED SLIPS & LOCKERS	
GM 7 1/4 IFS	17
GM 7 1/2 & 7 5/8 10 bolt	21
GM 8.2 10 bolt	31
GM 8 1/2 10 bolt	41
GM 8.6 10 bolt	47
GM 8 7/8 12 bolt	51,55
GM 9 1/4 IFS	61
GM 9 1/2 14 bolt	65
GM 10 1/2 14 bolt	73
FORD 7 1/2	81
FORD 8	85
FORD 8.8	91

FORD 9	97
FORD 9.75	103
FORD 10 1/4	109
CHRYSLER 8.25 & 8.375	115
CHRYSLER 8 3/4	117, 119, 121
CHRYSLER 9 1/4	125
DODGE 9.25	131
TOYOTA	137
DANA 28	141
DANA 30	145
DANA 35	149
DANA 44	153
DANA 50	155
DANA 60	159
DANA 70	163
DANA 80	167
AMC 20	171
REAR AXLE SHAFTS	
AMC	172
CHRYSLER/DODGE	172,173
FORD	173-175
GM/CHEVROLET	175-178
DANA AXLES	180-183
FRONT AXLE SHAFTS	
DANA AXLES	184-186
HUB APPLICATION GUIDE	
AMC/JEEP	188
BRITISH LEYLAND	188
CHEVROLET/GMC	188
CHRYSLER/PLYMOUTH/DODGE	189
FORD	189
GEO	190
INTERNATIONAL	190
MAZDA	190
NISSAN	190
ROCKWELL	191
SUZUKI	191
TOYOTA	191
DANA 70	191
HUB CONVERSION KITS	
FORD	189
MAZDA	190
TOYOTA	191
HUB SPECIFICATION GUIDE	
GEAR RATIO CONVERSION TABLE	
192	
194	

Having Trouble Locating A Part?
**Call Your Local Quality
 Gear Distributor.**



How To Use This Catalogue



HOW TO USE THIS CROSS REFERENCE CATALOGUE

This cross reference contains part breakdowns for the popular automotive differentials. The catalogue was designed to provide consumers of Quality Gear products easy access to information and the ability to order by part number.

We carry almost every domestic automotive differential part you may require, including ring and pinions, nest kits, installation kits, cases, carriers, gears, axles, lockers, limited slips, spools, mini-spools, shims, and spacers.

Every effort has been made to ensure the accuracy of this cross reference catalogue. We use factory sources of information to maintain accuracy. We cannot assume responsibility for possible omissions or errors. Contradictions may exist based on manufacturing tolerances and procedures. Please consult with authorized Quality Gear Part distributors for final verification.

When identifying a Dana axle, make absolutely sure that you determine the bill of material number on the axle to identify correctly.

If you require differential, transmission, transfer case parts for automotive, medium and heavy duty applications, call an Authorized Quality Gear Distributor near you today.

IT'S EASY TO ORDER!

Call one of our authorized Quality Gear distributors to order anywhere in Canada or the USA.



PAYMENT AND SHIPPING OPTIONS

Most Quality Gear distributors accept cash, cheque or credit card as payment. Let them know your shipping requirements and they can ship it to you by courier, truck, bus or air. Shipping payments will apply.

Please Note: Quality Gear distributors may not stock all items listed in this catalogue.

Special Note: When installing a Limited Slip, Posi Additive M-19546-A-1 is required.

Parts listed are not necessarily manufactured by the original equipment manufacturer and any reference to the trademarks or part numbers of others are for cross reference informational purposes only.

What's The Diff?



WHEN TO SPECIFY TRACTION-AIDING DIFFERENTIALS

DETROIT LOCKER

Operation

Detroit Locker is a fully automatic, positive locking traction differential. The unit delivers 100% of the torque and power to both drive wheels.

During straight line travel, the drive axle operates as if the axle shafts are welded together. The axle shafts will move at least as fast as the ring gear and all of the engine's power will reach the ground. Both wheels turn at the same speed even if one wheel lifts off the ground. The Detroit Locker will unlock when turning corners.

Applications

Serious 4x4 enthusiasts who are in severe off-road terrain, crossing from rock to rock with wheels in the air or travelling through deep mud, muskeg, water, swamp or snow should run a Detroit Locker.

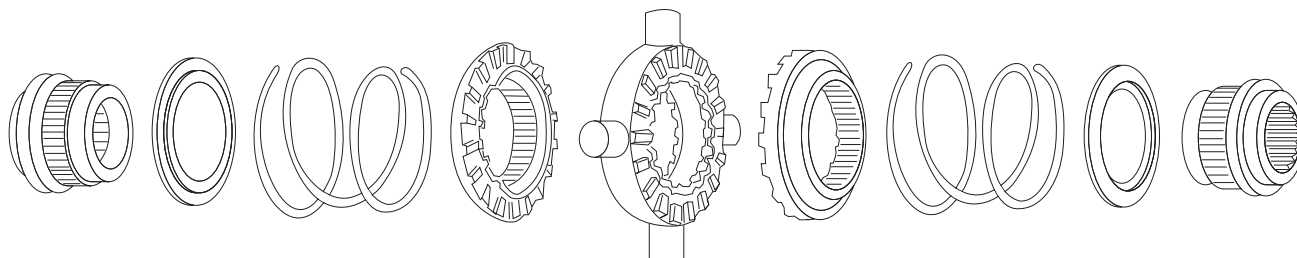
Advantages

Traction is far superior to limited slip or convention differentials.

Variations

Detroit C-Locker - Locking differentials for "c-clip" axles.

Detroit SofLocker - Updated "quieter" version of the Detroit Locker.





What's The Diff?

WHEN TO SPECIFY TRACTION-AIDING DIFFERENTIALS

DETROIT TRUETRAC

Operation

Detroit Truetrac is a sensitive, torque biasing traction differential consisting of 2 planetary gear sets connected by the overlapping mesh of a pair of helical pinion gears.

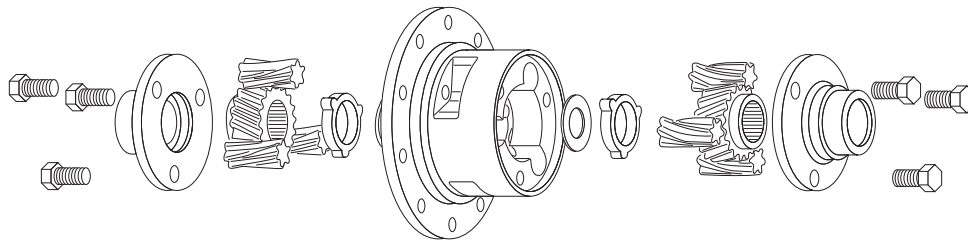
When a vehicle encounters wet, muddy or icy conditions, this gear type limited slip differential (no clutch or friction plates to wear out) allows for power to be transmitted to the high traction wheel instead of to the spinning wheel.

Applications

The smooth power transfer provides a quiet operation without steering problems. This unit is well suited to front drive steer axles. It is often speck'd to be used in the front of a 4x4 snowplow. Serious 4x4 enthusiasts will often run a Detroit Locker in the rear and a Detroit Truetrac in the front axle. Racers often run a spool in the rear axle with the Truetrac again in the front axle. It can also be found in a front axle of a 4x4 farm tractor (75 to 300 hp).

Advantages

The Truetrac is a very economical unit as compared to the clutch pack type differentials. The smooth and quiet operation will be suited for customers who will not be prepared for the noise and handling characteristics of a locker.



DETROIT EZ-LOCKER

Operation

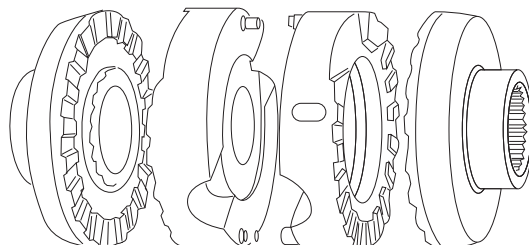
Detroit EZ-Locker is a fully automatic, positive locking differential. Similar to the Detroit Locker, this unit delivers 100% of the torque and power to both drive wheels.

Applications

The EZ-Locker differential works well for the occasional off-roader who wants a locker but will not be pushing their vehicle to the absolute limit.

Advantages

The EZ-Locker is very economical. It can be installed very simply within a few hours, generally without any special tools.



What's The Diff?



WHEN TO SPECIFY TRACTION-AIDING DIFFERENTIALS

EATON POSI LSD

Operation

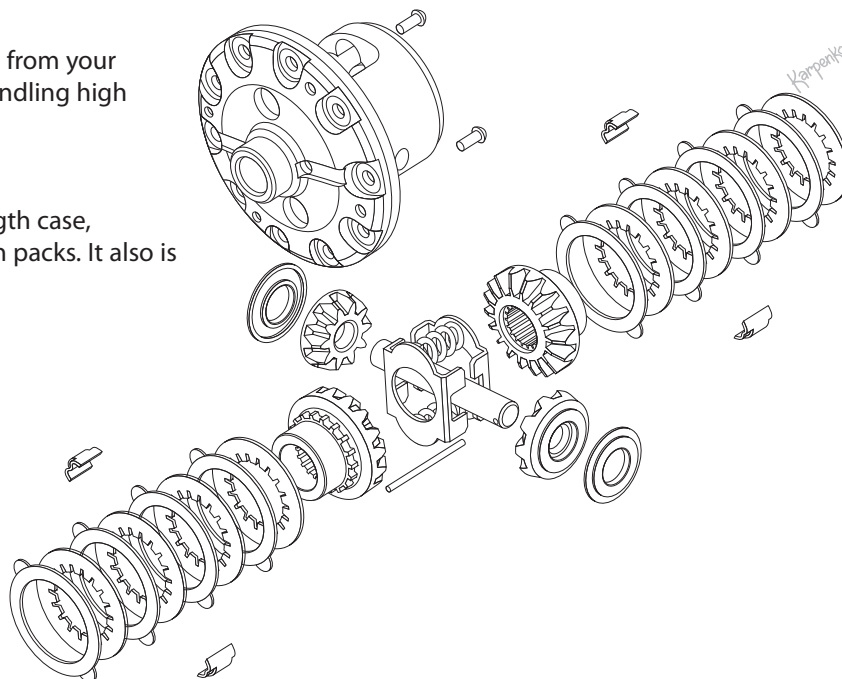
Eaton Posi LSD is a clutch pack style differential which uses carbon fiber discs and four preload springs to offer chatter free operation. As the input torque increases so does the clamping force on the clutch packs.

Applications

The Eaton Posi LSD can be used in everything from your daily driver to your hot rod, it is capable of handling high horsepower and mild off-road conditions.

Advantages

The Eaton Posi LSD is made with a high strength case, precision forged gears and carbon fiber clutch packs. It also is completely rebuildable.



ARB AIR LOCKER

Operation

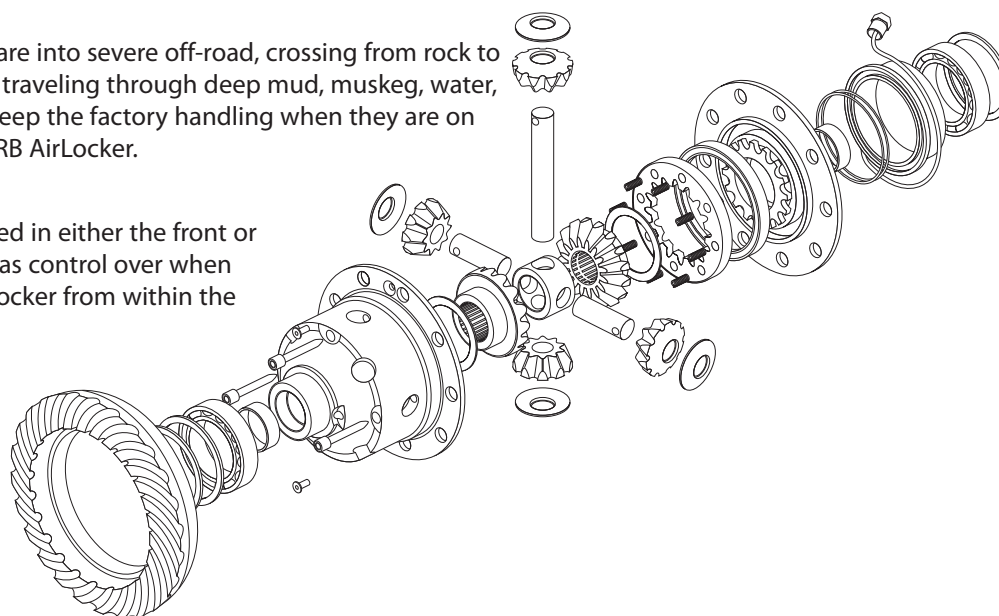
ARB Air Locker is an On-Demand Locker. It works as an "open" differential until the driver presses a button in the cab and locks up the differential. By doing this it gives the exact same amount of torque to each wheel all the time and they will turn at the same speed.

Applications

Serious 4x4 enthusiasts who are into severe off-road, crossing from rock to rock with wheels in the air or traveling through deep mud, muskeg, water, or swamps and still want to keep the factory handling when they are on paved roads should run an ARB AirLocker.

Advantages

The ARB Air Locker can be used in either the front or rear differentials. The driver has control over when to engage or disengage the locker from within the vehicle.





What's The Diff?

WHEN TO SPECIFY TRACTION-AIDING DIFFERENTIALS

AUBURN GEAR

Operation

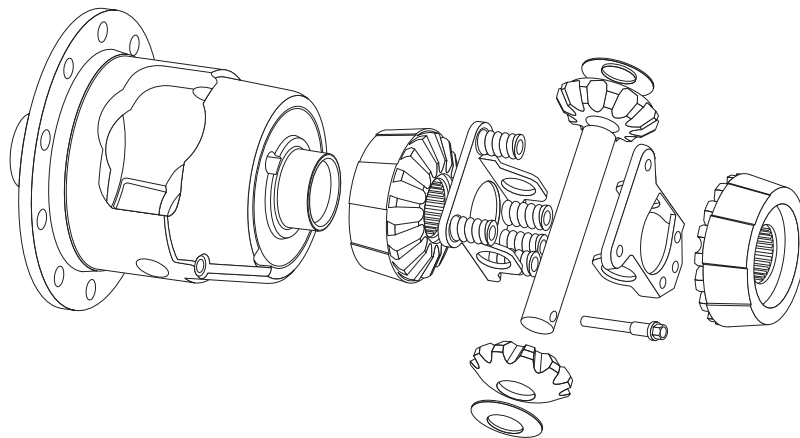
The Auburn Gear is a cone style limited slip differential. The pretension springs firmly seat the tapered side gears to the case. During cornering the gear separating forces within the differential decreases and allows the outside gear to rotate independently.

Applications

Auburn Gear can be used for your daily driver, hot rods, muscle cars, high horsepower vehicles, 2WD trucks, and mild off road conditions.

Advantages

The Auburn Gear has less working parts and is capable of handling high horsepower.



SELECTABLE ELECTRIC LOCKER

Operation

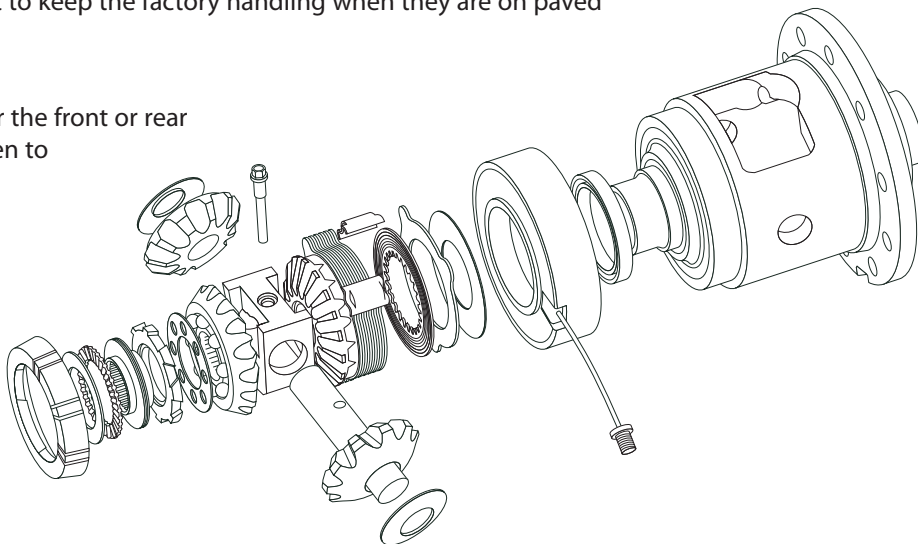
The Electric Locker is an On-Demand Locker. It works as an "open" differential until the driver presses a button in the cab and locks up the differential via an electro magnet, or electric motor. By doing this it gives the exact same amount of torque to each wheel all the time and they will turn at the same speed.

Applications

4x4 enthusiasts who are into moderate off-roading, trail riding where different terrains will be in countered, plowing snow and still want to keep the factory handling when they are on paved roads.

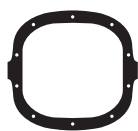
Advantages

The Electric Locker can be used in either the front or rear differentials, driver has control over when to engage or disengaged





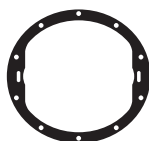
Identification Guide



GM 7 1/2" // 7.625

Differential parts see pages 18-23

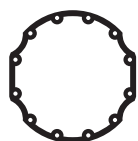
* Axle Shafts see pages 175-178



GM 8.2

Differential parts see pages 28-31

* Axle Shafts see pages 175-178



GM 8 1/2 // 8.6"

Differential parts see pages 34-47

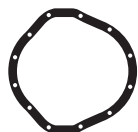
* Axle Shafts see pages 175-178



GM 8 7/8" CAR

Differential parts see pages 48-51

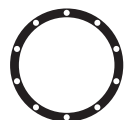
* Axle Shafts see pages 175-178



GM 8 7/8" TRACK

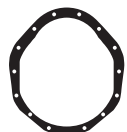
Differential parts see pages 52-57

* Axle Shafts see pages 175-178



GM 9 1/4" IFS

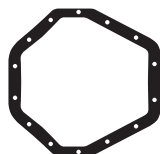
Differential parts see pages 58-61



GM 9 1/2"

Differential parts see pages 62-67

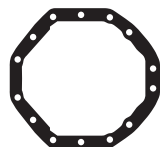
* Axle Shafts see pages 175-178



GM 10 1/2"

Differential parts see pages 68-75

* Axle Shafts see pages 175-178



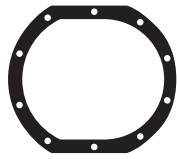
GM 11 1/2"

Differential parts see pages 76-77

* Axle Shafts see pages 175-178



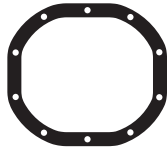
Identification Guide



FORD 7 1/2"

Differential parts see pages78-81

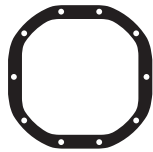
* Axle Shafts see pages 173-175



FORD 8"

Differential parts see pages82-85

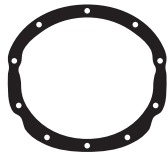
* Axle Shafts see pages 173-175



FORD 8.8"

Differential parts see pages86-91

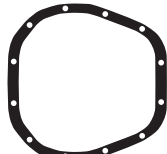
* Axle Shafts see pages 173-175



FORD 9"

Differential parts see pages92-99

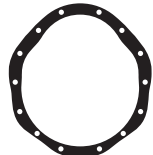
* Axle Shafts see pages 173-175



FORD 9 3/4"

Differential parts see pages 100-103

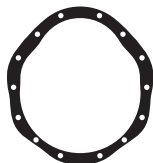
* Axle Shafts see pages 173-175



FORD 10 1/4"

Differential parts see pages 104-109

* Axle Shafts see pages 173-175



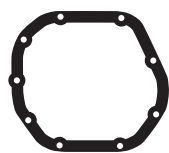
FORD 10 1/2"

Differential parts see pages 104-109

* Axle Shafts see pages 173-175

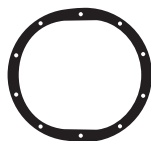


Identification Guide



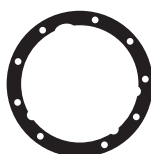
CHRYSLER 7 1/4"

Differential parts see pages..... 110-111
 * Axle Shafts see pages 172-173



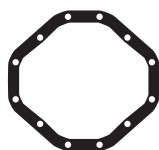
CHRYSLER 8 1/4" // 8.375"

Differential parts see pages..... 112-113
 * Axle Shafts see pages 172-173



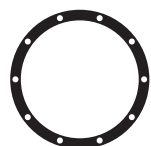
CHRYSLER 8 3/4"

Differential parts see pages..... 116-121
 * Axle Shafts see pages 172-173



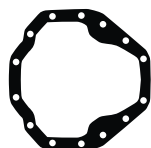
CHRYSLER 9 1/4"

Differential parts see pages..... 122-125
 * Axle Shafts see pages 172-173



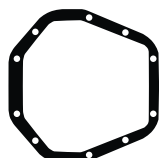
DODGE 9.25"

Differential parts see pages..... 130-131
 * Axle Shafts see pages 172-173



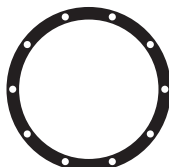
DODGE 10.5"

Differential parts see pages..... 126-129
 * Axle Shafts see pages 172-173



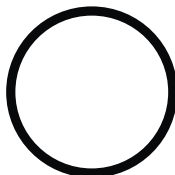
DODGE 11.5"

Differential parts see pages..... 132-133
 * Axle Shafts see pages 172-173



TOYOTA STYLE

Differential parts see page..... 134

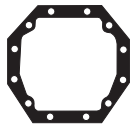


AMC 20

Differential parts see pages..... 168-171
 * Axle Shafts see page 172



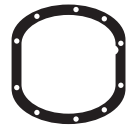
Identification Guide



DANA 28

Differential parts see pages 140-141

* Axle Shafts see pages 180-183



DANA 30

Differential parts see pages 142-145

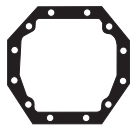
* Axle Shafts see pages 180-183



DANA 35

Differential parts see pages 146-149

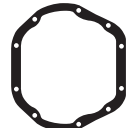
* Axle Shafts see pages 180-183



DANA 35 IFS

Differential parts see pages 146-149

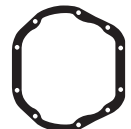
* Axle Shafts see pages 180-183



DANA 44

Differential parts see pages 150-153

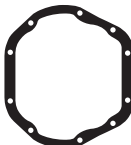
* Axle Shafts see pages 180-183



DANA 50

Differential parts see pages 154-155

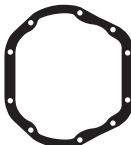
* Axle Shafts see pages 180-183



DANA 60

Differential parts see pages 156-159

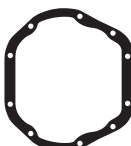
* Axle Shafts see pages 180-183



DANA 70

Differential parts see pages 160-163

* Axle Shafts see pages 180-183



DANA 80

Differential parts see pages 163-167

* Axle Shafts see pages 180-183

Axle Reference Chart



Chrysler

Model	Years	Front Axle	Crown Size	Crown Bolts	Cover Bolts	Rear Axle	Crown Size	Crown Bolts	Cover Bolts
1/2 Ton 4x4	72-93	Dana 44*	8.5"	10	10	Chrysler 8.25"	8.25"	10	10CC
1/2 Ton 4x4	94-96	Dana 44*	8.5"	10	10	Chrysler 9.25"	9.25"	12	12CC
3/4 Ton 4x4	94-96	Dana 60*	9.75"	12	10	Dana 70*	10.5"	12	10FF
1 Ton 4x4	94-96	Dana 60*	9.75"	12	10	Dana 80*	11.1"	12	10FF

Ford

Model	Years	Front Axle	Crown Size	Crown Bolts	Cover Bolts	Rear Axle	Crown Size	Crown Bolts	Cover Bolts
1/2 Ton 4x2	67-83	N/A	N/A	N/A	N/A	9"	9"	10	Drop In
1/2 Ton 4x2	83-96	N/A	N/A	N/A	N/A	8.8"	8.8"	10	10CC
1/2 Ton 4x4	67-78	Dana 44*	8.5"	10	10	9"	9"	10	Drop In
1/2 Ton 4x4	77-83	Dana 44 Rev*	8.5"	10	10	9"	9"	10	Drop In
1/2 Ton 4x4	83-96	Dana 44 Rev*	8.5"	10	10	Dana 60*	9.75"	12	10FF
3/4 Ton 4x4	77-82	Dana 44 Rev*	8.5"	10	10	Dana 60/61	9.75"	12	10FF
3/4 Ton 4x4	83-96	Dana 44 Rev*	8.5"	10	10	10.25"	10.25"	12	12FF
1 Ton 4x4	83-96	Dana 50 Rev	9"	10	10	10.25"	10.25"	12	12FF
Ranger 4x2	83-96	N/A	N/A	N/A	N/A	7.5"	7.5"	10	10CC
Ranger 4x2 4L	90-96	N/A	N/A	N/A	N/A	8.8"	8.8"	10	10CC
Ranger 4x4	83-96	Dana 28*	6.575"	10	8	7.5"	7.5"	10	10CC
Ranger 4x4 4L	90-96	Dana 35 Rev*	7.75"	8	10	8.8"	8.8"	10	10CC

GM

Model	Years	Front Axle	Crown Size	Crown Bolts	Cover Bolts	Rear Axle	Crown Size	Crown Bolts	Cover Bolts
S10	83-00	7.25"	7.25	10	10	7.5"	7.5"	10	10CC
1/2 Ton 4x2	64-81	N/A	N/A	N/A	N/A	8.875"	8.875"	12	12CC
1/2 Ton 4x2	76-96	N/A	N/A	N/A	N/A	8.5"*	8.5"	10	10CC
1/2 Ton 4x4	67-77	Dana 44*	8.5"	10	10	8.875"*	8.875"	12	12CC
1/2 Ton 4x4	78-87	Corp. 8.5"	8.5"	10	10*	8.5"*	8.5"	10	10CC
1/2 Ton 4x4	88-96	IFS 8.25"	8.25"	10	10	8.5"*	8.5"	10	10CC
3/4 Ton 4x4	78-87	Corp. 8.5"	8.5"	10	10*	10.5"*	10.5"	12	14FF
3/4 T. 4x4 6 Lug	78-87	IFS 8.25"	8.25"	10	10*	9.5"	9.5"	12	14CC
3/4 T. 4x4 8 Lug	88-96	IFS 8.2"	8.5"	10	10*	10.5"	10.5"	12	14FF
1 Ton 4x4	77-91	Dana 60*	9.75"	12	10	10.5"*	10.5"	12	14FF
1 Ton 4x4	92-96	IFS 9.25"	9.25"	12	11	10.5"	10.5"	12	14FF
1 Ton HD	99 & up	IFS 9.25"	9.5"	12	11	11.5"	11.5"	12	14

Jeep

Model	Years	Front Axle	Crown Size	Crown Bolts	Cover Bolts	Rear Axle	Crown Size	Crown Bolts	Cover Bolts
CJ-5	73-75	Dana 30*	7.25"	10	10	Dana 44*	8.5"	10	10F
CJ-5/CJ-7	76-85	Dana 30*	7.25"	10	10	AMC 20*	9"	8	12F
CJ-7	1986	Dana 30*	7.25"	10	10	Dana 44*	8.5"	10	10F
Wrangler	87-96	Dana 30 Rev*	7.25"	10	10	Dana 35*	7.75"	8	10F
Cherokee XJ	84-95	Dana 30 Rev*	7.25"	10	10	Dana 35*	7.75"	8	10F
						Dana 44*	8.5"	10	10CC
						AMC 20*	9"	8	12F
Gr. Cherokee	92-96	Dana 30 Rev*	7.25"	10	10	Dana 35*	7.75"	8	10CC
						Dana 44*	8.5"	10	10CC
						Chrysler 8.25"	8.25"	10	10CC

Toyota

Model	Years	Front Axle	Crown Size	Crown Bolts	Cover Bolts	Rear Axle	Crown Size	Crown Bolts	Cover Bolts
4x2	69-96	N/A	N/A	N/A	N/A	7.5"	190mm	10	Drop In
1 Ton or V6	69-96	N/A	N/A	N/A	N/A	8" (V6)	200mm	10	Drop In
4x4	79-85	8"	200mm	10	Drop In	8"	200mm	10	Drop In
4x4 4Cyl	86-96	IFS 7.5"	190mm	10	8	8" (V6)	200mm	10	Drop In
4x4 V6/Turbo	86-96	IFS 7.5"	190mm	10	8	8" (V6)	200mm	10	Drop In
Landcruiser	68-89	240mm	240mm	-	-	240mm	240mm	-	-
Landcruiser	90-98/1/2	200mm	200mm	-	-	240mm	240mm	-	-

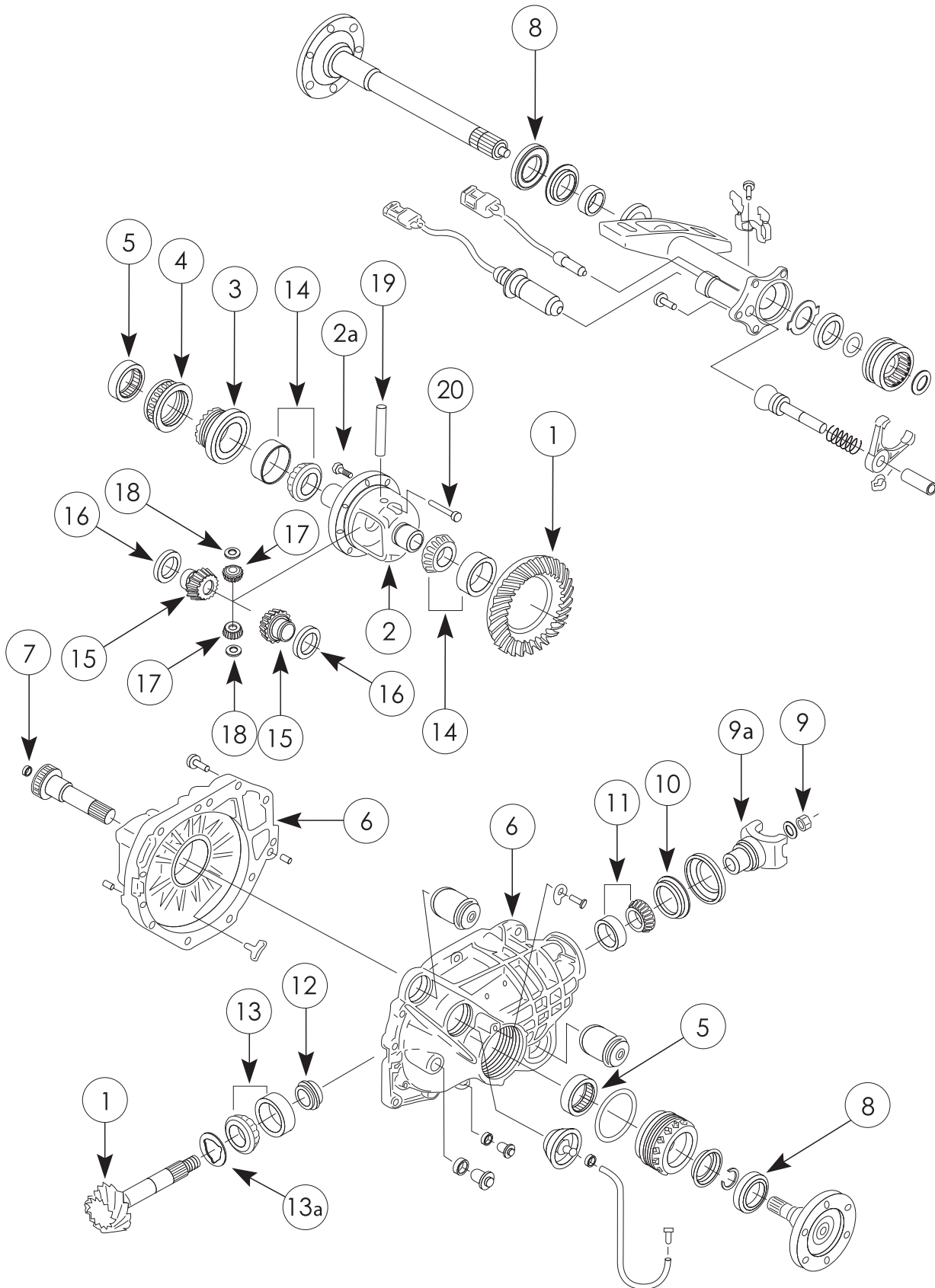
* - check carrier crown surface height

F - floating axle

FF - fully floating axle

CC - "C" clip axle

GM 7 1/4" IFS



GM 7 1/4" - IFS

Crown Diameter	7.25"
Crown Bolts	(10) 3/8" x 18 RH
Housing Bolts	10
Carrier Breaks	3.08/3.23
Pinion Spline	27, 1.313"

GM 7 1/4" - IFS

Illust #	Part #	Description	Req
1	GM7.25-308	Crown & Pinion , 3.08 Ratio, Quality Gear	1
1	GM7.25-342	Crown & Pinion , 3.42 Ratio, Quality Gear	1
1	GM7.25-373	Crown & Pinion , 3.73 Ratio, Quality Gear	1
1	GM7.25-410	Crown & Pinion , 4.10 Ratio, Quality Gear	1
1	GM7.25-456*	Crown & Pinion , 4.56 Ratio, Quality Gear	1
2	26046002	Case , Empty (3.42+up)	1
2a	14056135	3/8x18 RH Threaded Bolts	10
3	26054695	Adjuster , Bearing	2
4	26034785	Adjuster	2
5	26053326	Bearing	2
6	12471599	Housing, Carrier, Aluminum	1
7	BH78	Bearing, Output	1
9a	14039582	Series Yoke , 1315	1

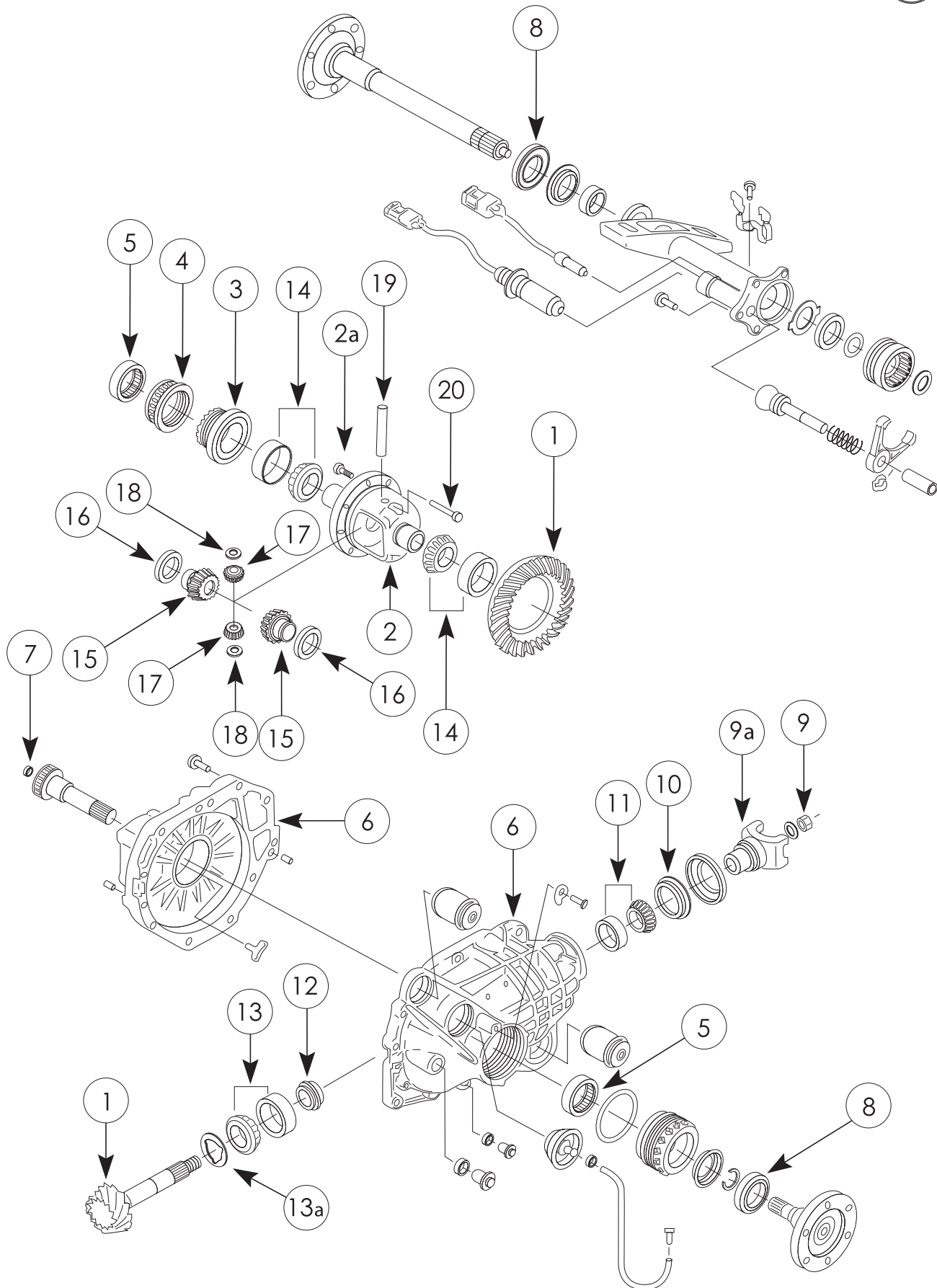
* Modified Cross Shaft GM 7/xSM recommended for use with this Gear Set.

REM725AIFS W/PLUG-IN AXLE, 97& UP Master Rebuild Kit

Illust #	Part #	Description	Req
5	B2010	Bearing , Needle	1
5	HK4012	Bearing , Needle	2
8	12471586	Seal , Axle	2
9	1260823	Nut , Pinion	1
10	15315	Seal , Pinion	1
11	M86610	Bearing, Pinion , Outer Cup	1
11	M86649	Bearing, Pinion , Outer Cone	1
12	3974898	Crush Sleeve	1
13	M88010	Bearing, Pinion , Inner Cup	1
13	M88047	Bearing, Pinion , Inner Cone	1
14	JL69310	Bearing , Cup LH&RH	2
14	JL69349	Bearing , Cone LH&RH	2
13a	205400	Shim Set	1

Marking Compound, Loctite, Brush included.

GM 7 1/4" IFS



REM725IFS W/BOLT ON AXLE, UP TO 96 MASTER REBUILD KIT

Illust #	Part #	Description	Req
5	B2010	Bearing, Needle	3
8	12494	Axle Seal	2
9	1260823	Nut, Pinion	1
10	15315	Seal, Pinion	1
11	M86610	Bearing, Pinion, Outer Cup	1
11	M86649	Bearing, Pinion, Outer Cone	1
12	3974898	Crush Sleeve	1
13	M88010	Bearing, Pinion, Inner Cup	1
13	M88047	Bearing, Pinion, Inner Cone	1
14	JL69310	Bearing, LH&RH Cup	2
14	JL69349	Bearing, LH&RH Cone	2
13a	205400	Shim Set	1


Marking Compound, Loctite, Brush included.

(1) For 1997 and up with plug-in axles use: 2-12471586 Seals (replaces 12494CR) and 2-HK5012 Bearings

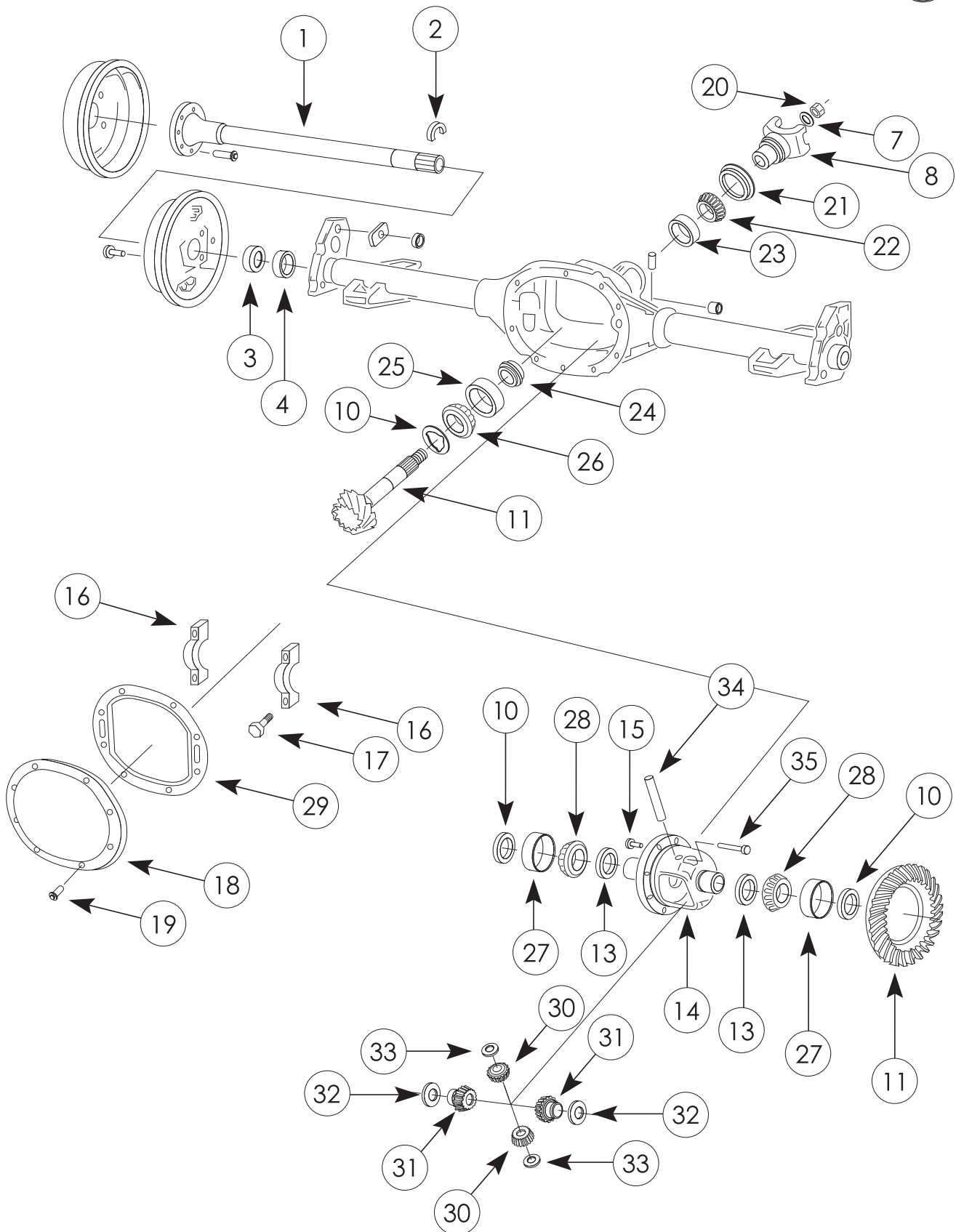
26056137 - INTERNAL NEST KIT (26 SPL)

Illust #	Part #	Description	Req
15	NSS	Side Gear (26034788 AAM#) SG	2
16	14039598	Washer, Side Gear	2
17	NSS	Pinion Gear (26034789 AAM#) PG	2
18	14039599	Washer, Pinion Gear	2
19	14039589	Cross Shaft	1
20	14056196	Lockscrew	1

LIMITED SLIPS AND LOCKERS AVAILABLE FOR GM 7 1/4" IFS

Manufacturer	Part #	Description	R.G. Size	Ratios	Spline
<i>Detroit Locker</i>	162C55A	Detroit Locker (C-Clip)	7 1/4	3.54 & Dn	26 Spline
<i>Detroit Truetrac</i>	911A380	Detroit Truetrac (Limited Slip)	7 1/4	3.54 & Dn	26 Spline
	1935	Lock-Right Locker	7 1/4	All	26 Spline

GM 7 1/2" 10 BOLT



GM 7 1/2"

Crown Diameter	7.5"
Crown Bolts	(10) 7/16" x 20 LH
Housing Bolts	10
Carrier Breaks	3.08/3.23
Pinion Spline	27, 1.438"

GM 7 1/2" - 10 BOLT REAR DIFFERENTIAL (OPEN)

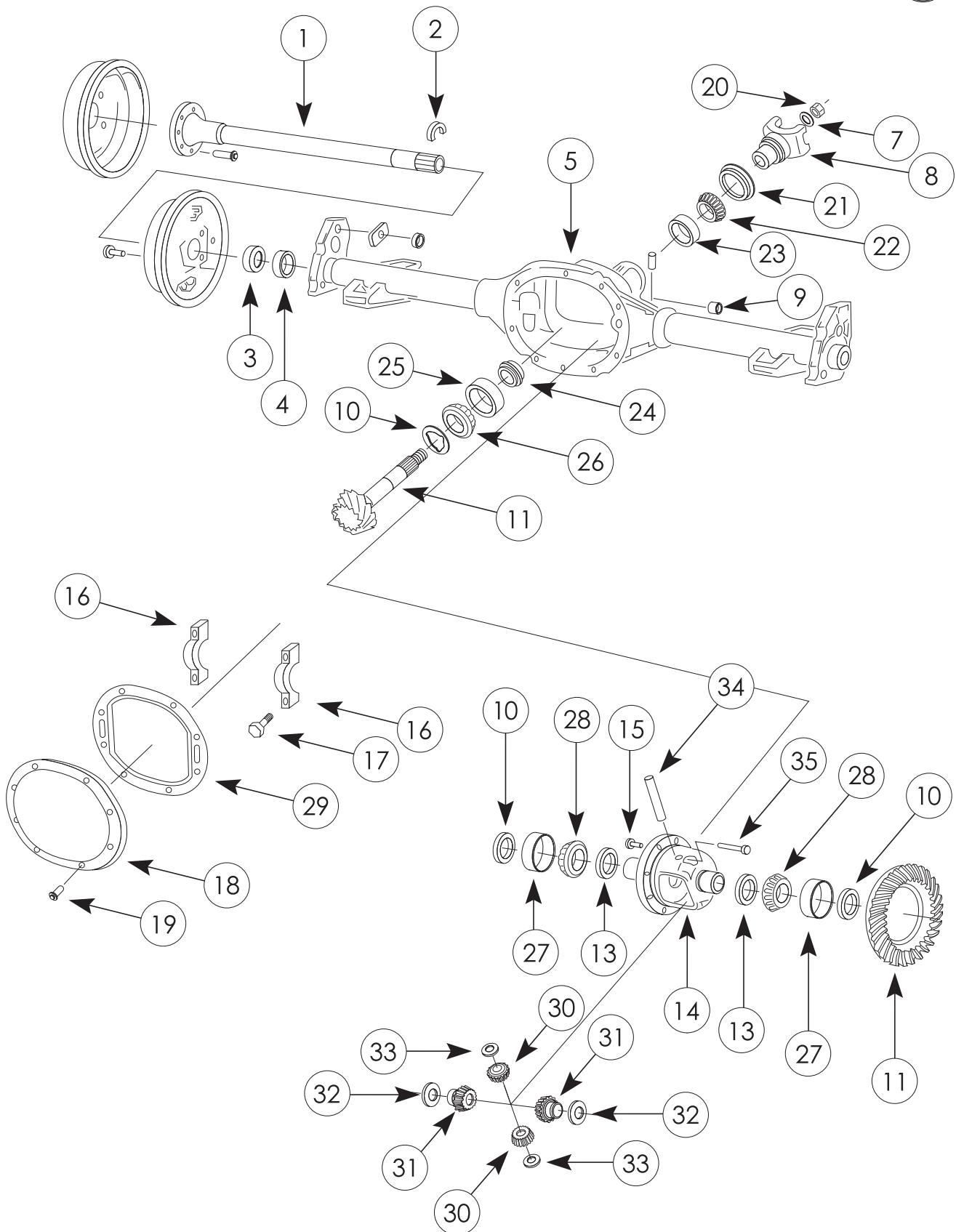
Illust #	Part #	Description	Req
1		Axle Shaft Refer to table	
2	344171	C-Clip	2
3	13990	Seal , Rear Wheel - (Note: For 90 - 98 Astro use 14393)	2
4	5707	Bearing , Rear Wheel - (Note: For 90 - 98 Astro use 513023)	2
7	5086703AA	Washer , Pinion	1
8	12471517	Yoke , Rear Axle Pinion	1
8	26006975	Yoke , Rear Axle Pinion 1350 Series	1
10	GM7.5MSK	Shim Kit (as required, pinion & Carrier Shims)	1
11	GM7.5-273	Crown & Pinion , 2.73 Ratio, Quality Gear	1
11	GM7.5-308	Crown & Pinion , 3.08 Ratio, Quality Gear	1
11	GM7.5-323	Crown & Pinion , 3.23 Ratio, Quality Gear	1
11	GM7.5-342	Crown & Pinion , 3.42 Ratio, Quality Gear	1
11	GM7.5-373	Crown & Pinion , 3.73 Ratio, Quality Gear	1
11	GM7.5-410	Crown & Pinion , 4.10 Ratio, Quality Gear	1
11	GM7.5-456	Crown & Pinion , 4.56 Ratio, Quality Gear	1
11	GM7.5-342X	Crown & Pinion , 3.42 Ratio, Thick	1
11	GM7.5-456X	Crown & Pinion , 4.56 Ratio, Thick	1
13	9775809	Spacer , Differential Side Bearing (.170-.172 Thick)	AR
14	26026250	Case , Empty, G7.5 EH 3.08 Down (26 Spline)	1
14	26026251	Case , Empty, G7.5 E 3.23 Up (26 Spline)	1
14	26033478	Case , Empty 2.73 - 3.08 (28 Spline Only)	1
14	26033477	Case , Empty 3.23 & Up (28 Spline)	1
15	14066913	Bolts , Ring Gear	10
17	454947	Bolt , Differential Carrier Bearing Cap	4
18	26045427	Cover , Differential Carrier	1
19	-	Bolts , (5/16-18 X 7/8)	10

R1075 - MASTER REBUILD KIT

Illust #	Part #	Description	Req
20	1260823	Nut , Pinion	1
21	15315	Seal , Pinion	1
22	M86610	Bearing , Pinion Outer (Cup)	1
23	M86649	Bearing , Pinion Outer (Cone)	1
24	9785792	Crush Sleeve	1
25	HM89210	Bearing , Pinion Inner (Cup)	1
26	HM89249	Bearing , Pinion Inner (Cone)	1
27	LM501314	Bearing , Diff Side (Cup)	2
28	LM501349	Bearing , Diff Side (Cone)	2
29	181056	Rear Cover Gasket	1

Marking Compound, Loctite and Brush & Pinion Shims included.

GM 7 1/2" 10 BOLT



GM7.5-SPGK - INTERNAL NEST KIT (26 SPL)

Illust #	Part #	Description	Req
30	22524873	Gear , Pinion	2
31	22524874	Gear , Side	2
32	344165	Washer , Side Gear	2
33	559291	Washer , Pinion Gear	2
34	22507586	Shaft , Pinion Gear	1
35	14056196	Screw , Pinion Lock	1

GM7.5-SPGK28 - INTERNAL NEST KIT (28 SPL)

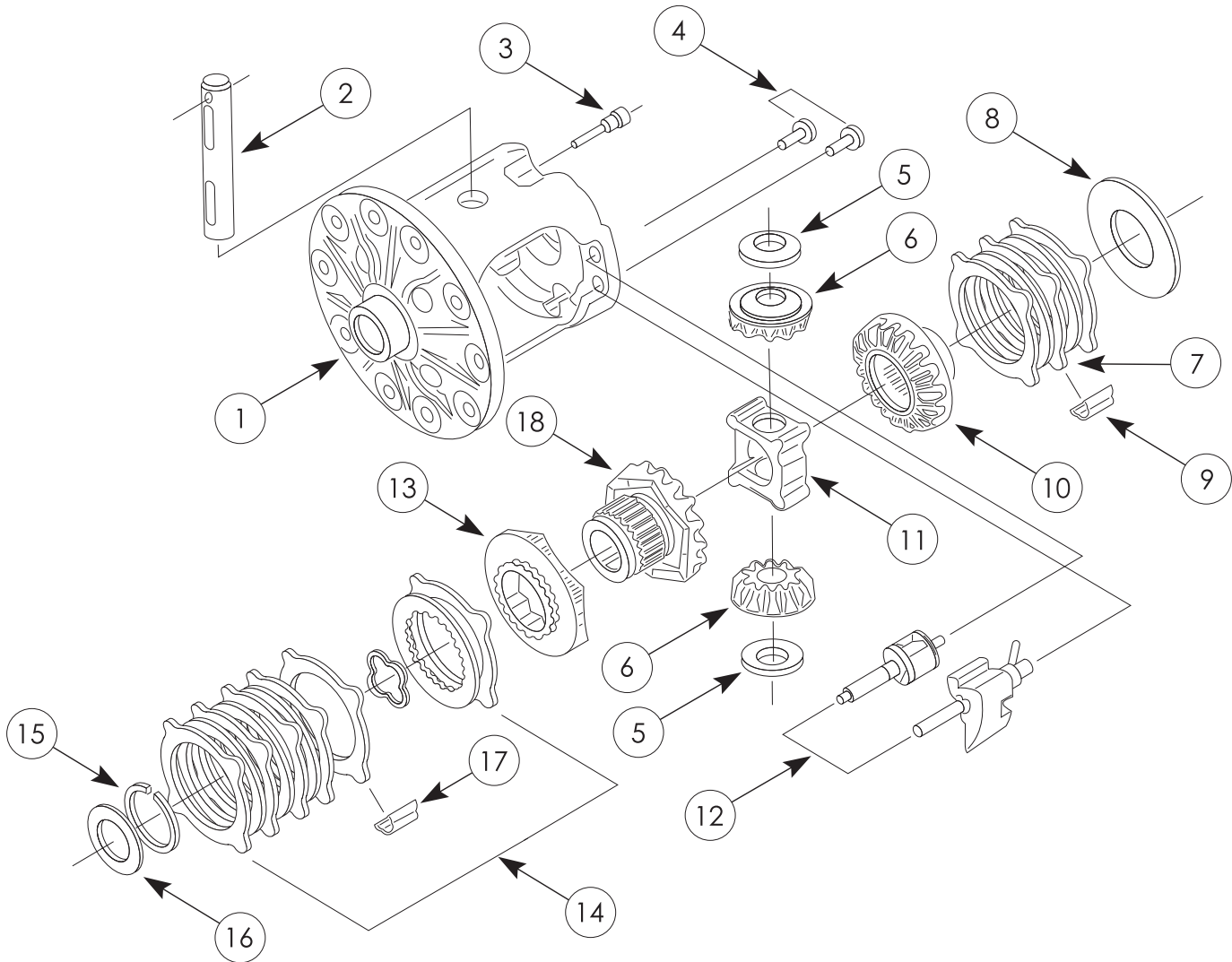
Illust #	Part #	Description	Req
30	26051478	Gear , Pinion	2
31	26051479	Gear , Side	2
32	344165	Washer , Side Gear	2
33	559291	Washer , Pinion Gear	2
34	22507586	Shaft , Pinion Gear	1
35	14056196	Screw , Pinion Lock	1

LIMITED SLIPS AND LOCKERS AVAILABLE FOR GM 7 1/2" & 7 5/8" 10 BOLT

Manufacturer	Part #	Description	R.G. Size	Ratios	Spline	Years
Detroit Locker	162C59A	Detroit Locker (C-Clip)	7 1/2" & 7 5/8"	3.23 & Up	28 Spline	1988 & Up
	162C58A	Detroit Locker (C-Clip)	7 1/2"	3.23 & Up	26 Spline	1976-88
Detroit Truetrac	912A414	Detroit Truetrac (Limited Slip)	7 1/2" & 7 5/8"	3.08 & Dn	28 Spline	1988 & Up
	912A317	Detroit Truetrac (Limited Slip)	7 1/2" & 7 5/8"	3.23 & Up	28 Spline	1988 & Up
	911A415	Detroit Truetrac (Limited Slip)	7 1/2"	3.08 & Dn	26 Spline	1976 - 88
	911A319	Detroit Truetrac (Limited Slip)	7 1/2"	3.23 & Up	26 Spline	1976 - 88
Auburn Gear	542045	Auburn Gear Limited Slip (Pro Series)	7 5/8"	3.08 & Dn	26 Spline	1976-88
	542044	Auburn Gear Limited Slip (Pro Series)	7 5/8"	3.23 & Up	26 Spline	1976-88
	542047	Auburn Gear Limited Slip (Pro Series)	7 5/8"	3.08 & Dn	28 Spline	1988 & Up
	542046	Auburn Gear Limited Slip (Pro Series)	7 5/8"	3.23 & Up	28 Spline	1988 & Up
	542058	Auburn G. Limited Slip (Street Series)	7 1/2" & 7 5/8"	3.08 & Dn	26 Spline	1976-88
	542057	Auburn G. Limited Slip (Street Series)	7 1/2" & 7 5/8"	3.23 & Up	26 Spline	1976-88
	542041	Auburn G. Limited Slip (Street Series)	7 1/2" & 7 5/8"	3.08 & Dn	28 Spline	1988 & Up
	542040	Auburn G. Limited Slip (Street Series)	7 1/2" & 7 5/8"	3.23 & Up	28 Spline	1988 & Up
LOCK RIGHT PowerTrac	1930	Lock-Right Locker	7 1/2"	All	26 Spline	1976-88
	1931	Lock-Right Locker	7 5/8"	All	28 Spline	1988 & Up
	1932	Lock-Right Locker	7 5/8"	All	26 Spline	1976-88
EATON	19599-010	Eaton Limited Slip	7 5/8"	3.23 & Up	28 Spline	1987 & Up
	19663-010	Eaton Limited Slip	7 1/2"	3.23 & Up	26 Spline	1976-88

When installing a Limited Slip, Posi additive M-19546-A-1 is required.
The above limited slips and lockers will also fit 7 5/8" 10 bolt.

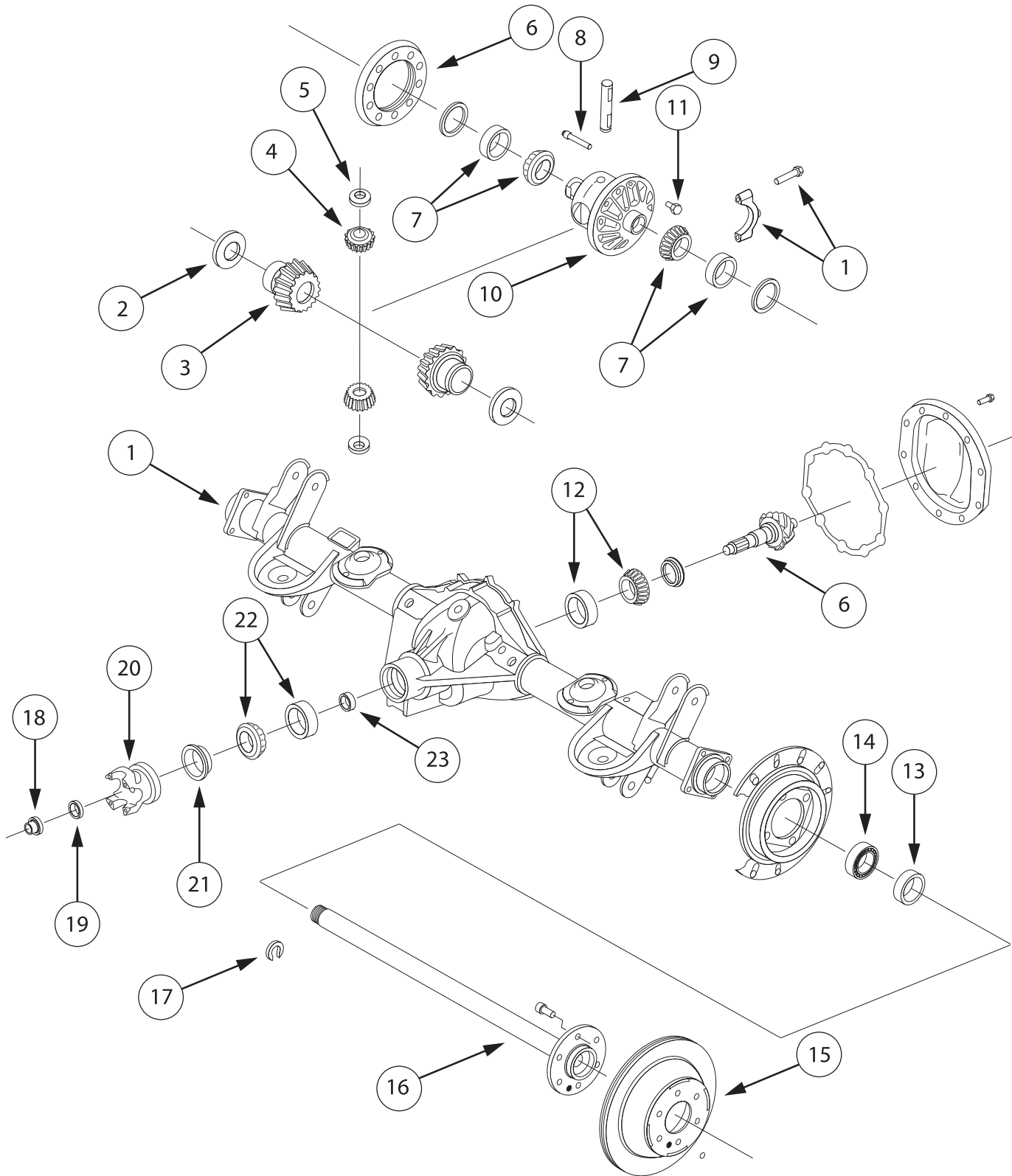
GM 7 1/2" LOCKING



GM 7 1/2" LOCKING DIFFERENTIAL

Illust #	Part #	Description	Req
1	14030397	Case , Differential (W/2.56, 2.73, 3.08 Ratio)	1
1	14030398	Case , Differential (W/3.42, 3.73, 4.11 Ratio)	1
2	14048387	Shaft , Pinion Cross	1
3	14056196	Screw , Pinion Shaft Lock	1
4	14048409	Bushing , Lockout	2
5	14048408	Washer , Pinion Thrust	2
6	14048386	Gear , Pinion	2
7	14059084	Plate Kit , Locking (Bell End)	AR
8	14063589	Washer , Side Thrust (.010)(Bell End)	AR
8	14063590	Washer , Side Thrust (.015)(Bell End)	AR
8	14063591	Washer , Side Thrust (.020)(Bell End)	AR
8	14063592	Washer , Side Thrust (.025)(Bell End)	AR
8	14063593	Washer , Side Thrust (.030)(Bell End)	AR
8	14063594	Washer , Side Thrust (.035)(Bell End)	AR
8	14063595	Washer , Side Thrust (.040)(Bell End)	AR
8	14063596	Washer , Side Thrust (.045)(Bell End)	AR
9	462787	Clip , Guide-RH	1
10	15599645	Gear , Differential Side-RH	1
11	14048399	Block , Thrust (Purple)	1
11	14048400	Block , Thrust (White)	1
11	14048401	Block , Thrust (Brown)	1
11	14048402	Block , Thrust (Yellow)	1
11	14048403	Block , Thrust (Orange)	1
11	14048404	Block , Thrust (Red)	1
11	14048405	Block , Thrust (Green)	1
11	14048406	Block , Thrust (Blue)	1
12	14048384	Governor Kit , Differential	1
13	14048407	Cam Plate , Differential	1
14	14048385	Plate Kit , Locking (Flange End)	1
15	-	Retainer , Ext Snap Ring (46mm diameter shaft)	1
16	14048390	Washer , Side Thrust (.022)(Flange End)	AR
16	14048391	Washer , Side Thrust (.027)(Flange End)	AR
16	14048392	Washer , Side Thrust (.032)(Flange End)	AR
16	14048393	Washer , Side Thrust (.036)(Flange End)	AR
16	14048394	Washer , Side Thrust (.040)(Flange End)	AR
16	14048395	Washer , Side Thrust (.044)(Flange End)	AR
16	14048396	Washer , Side Thrust (.048)(Flange End)	AR
16	14048397	Washer , Side Thrust (.052)(Flange End)	AR
17	15599644	Clip , Guide-LH	1
18	15599646	Gear , Differential Side Cam-LH	1
NI	M-19546-A1	Posi Additive	1

GM 8" 10 BOLT



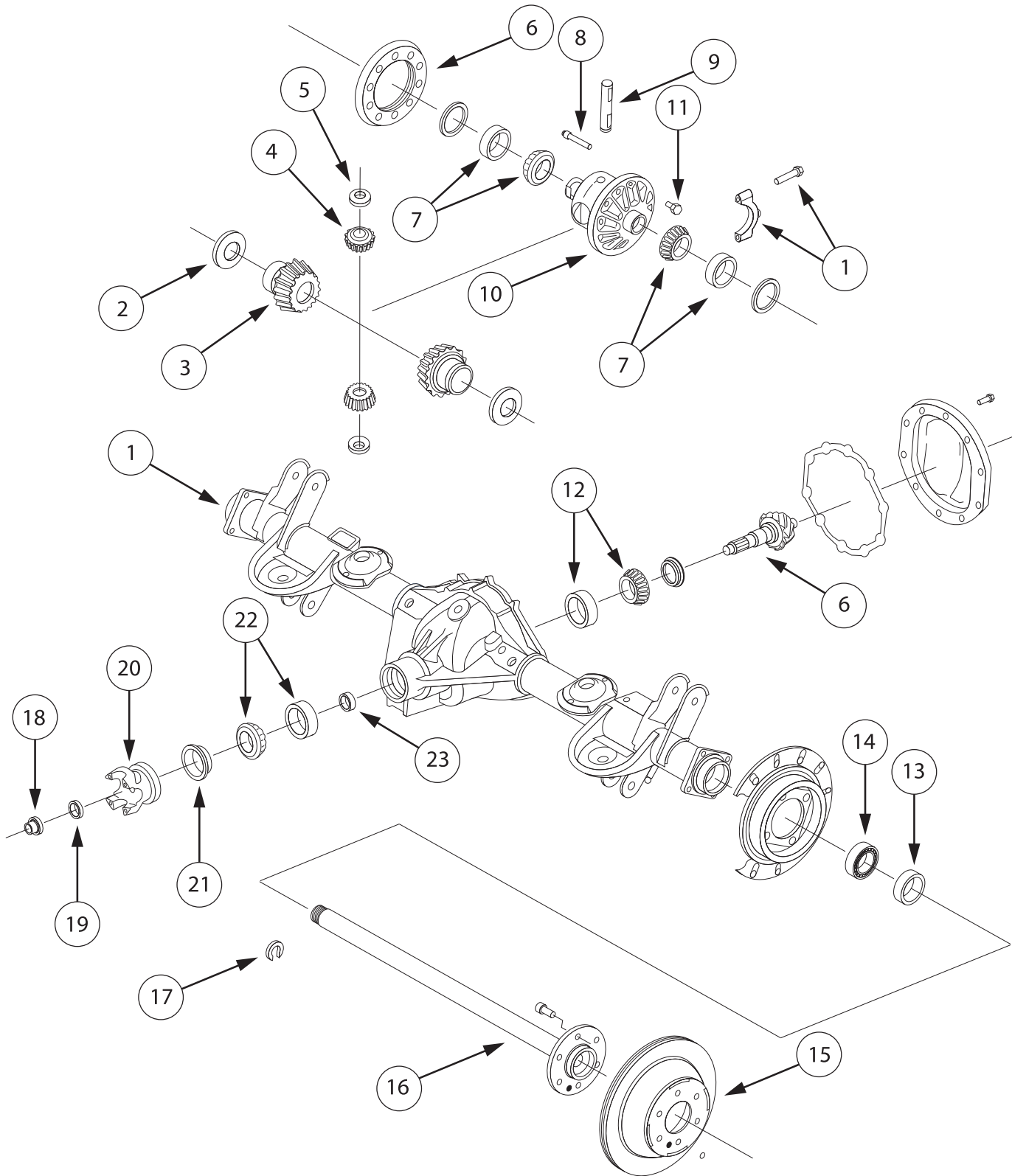
GM 8" 10 BOLT (2002 & UP)

Crown Diameter	8"
Crown Bolts	(10) 7/16" x 20 LH
Housing Bolts	10
Carrier Breaks	None
Pinion Spline	

GM 8" 10 BOLT

Illust #	Part #	Description	Req
1	12479034	Axle Housing (1576 mm Overall Length; Disc) 2002+	1
1	19133411	Axle Housing (1577 mm Overall Length; Disc) 2006+	1
1	12479340	Axle Housing (1479 mm Overall Length; Drum) 2004+	1
1	12479341	Axle Housing (1479 mm Overall Length; Drum) 2004+	1
1	12479342	Axle Housing (1500 mm Overall Length; Drum) 2004+	1
2	12479025	Diff. Side Thrust Washer 2002+	2
3	NSS	Diff. Side Gear , (28 Tooth; Available in Kit Only; GM8-SPGK) 2002+	2
4	NSS	Diff. Pinion Gear , (28 Tooth; Available in Kit Only; GM8-SPGK) 2002+	2
5	559291	Diff. Pinion Thrust Washer 2002+	2
6	GM8-410	Ring Gear & Pinion Set (4.10 Ratio; 2 Cut), 2002+	1
6	GM8-373	Ring Gear & Pinion Set (3.73 Ratio; 2 Cut), 2002+	1
6	GM8-342	Ring Gear & Pinion Set (3.42 Ratio; 2 Cut), 2002+	1
7		See Rem80-GM	
8	14056196	Diff. Pinion Shaft Lock Screw 2002+	1
9	22507586	Diff. Pinion Shaft 2002+	1
10	12479021	Diff. Open Case (Without Internals) 2002+	1
11	14066913	Ring Gear Bolt 2002+	10
12		See Rem80-GM	1
13	12471686	Axle Shaft Seal 2002+	2
14	12479031	Axle Shaft Bearing 2002+	2
15	15134571	Rotor 2002+	2
15	15198208	Drum 2004+	2
16		Axle Shaft , Refer to Table	
17	344171	Axle Shaft Lock 2002+	2
18	1260823	Pinion Yoke Nut 2002+	1
19	517900	Pinion Yoke Washer 2002+	1
20	12479331	Pinion Yoke (1344 U-Joint; 4 Footed) 2002+	1
21	12471523	Pinion Yoke Seal 2002+	1
22		See Rem80-GM	1
23	9785792	Collapsible Spacer 2002+	1

GM 8" 10 BOLT



REM80-GM - MASTER REBUILT KIT 2002 & UP

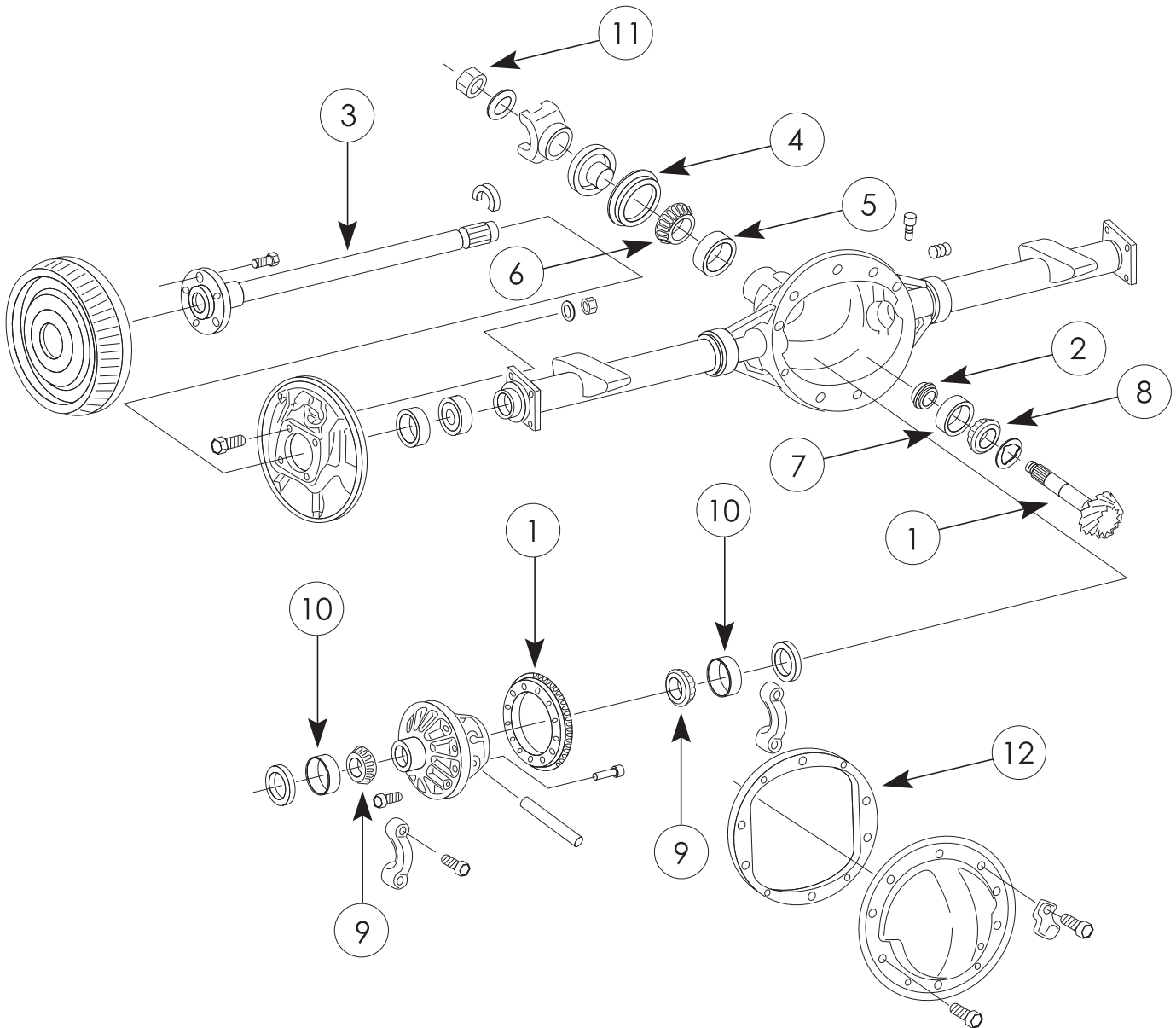
Illust #	Part #	Description	Req
7	LM603049	Bearing , Diff. Side (Cone)	2
7	LM603012	Bearing , Diff. Side (Cup)	2
11	14066913	Ring Gear Bolt	10
12	NP457992	Bearing , Pinion Front (Cone)	1
12	NP926068	Bearing , Pinion Front (Cup)	1
18	1260823	Pinion Nut	1
21	12471523	Pinion Seal	1
22	M86649	Bearing , Pinion Rear (Cone)	1
22	M86610	Bearing , Pinion Rear (Cup)	1
23	9785792	Crush Sleeve	1
NI		Shim Kit	1

Sealant, Loctite, Marking Compound, and Brush included

GM8 SPGK - INTERNAL NEST KIT

Illust #	Part #	Description	Req
2	12479025	Washer , Side Gear	2
3	40004369	Gear , Side	2
4	26051478	Gear , Pinion	2
5	559291	Washer , Pinion Gear	2
8	14056196	Screw , Pinion Lock	1
9	22507586	Shaft , Pinion Gear	1

GM 8.2" 10 BOLT



GM 8.2" (1964-72 Chev, 1964-71 B/O/P Car)

Crown Diameter	8.2"
Crown Bolts	(10) 3/8" x 24 RH
Housing Bolts	10
Carrier Breaks	2.73/3.08
Pinion Spline	25, 1.438"

GM 8.2" 10 BOLT

Illust #	Part #	Description	Req
1	GM 8.2 - 355	Crown & Pinion , 3.55 Ratio, Quality Gear, (25 Spline), Chev. Only*	1
1	GM 8.2 - 370	Crown & Pinion , 3.70 Ratio, Quality Gear, (25 Spline), Chev. Only*	1
1	GM 8.2 - 373	Crown & Pinion , 3.73 Ratio, Quality Gear (25 Spline), Chev. Only*	1
1	GM 8.2 - 410	Crown & Pinion , 4.10 Ratio, Quality Gear (25 Spline), Chev. Only*	1
1	GM 8.2 - 456	Crown & Pinion , 4.56 Ratio, Quality Gear (25 Spline), Chev. Only*	1
3		Axle Shaft , Refer to Table	
NI	GM 7.5 - MSK	Shim Kit	1
NI	GM 8.2 - SPGK	Nest Kit	1

R1082 - MASTER REBUILD KIT

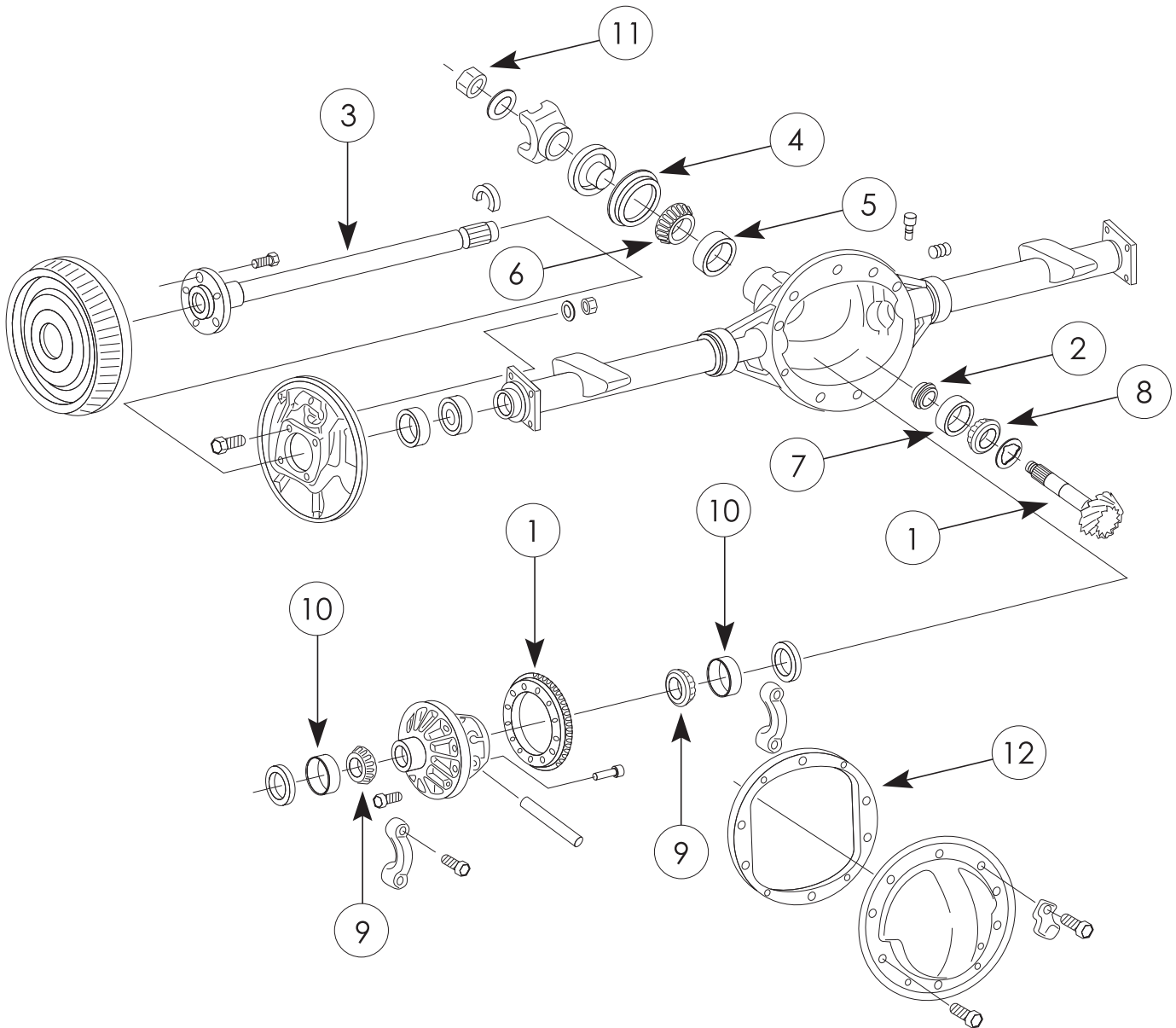
Illust #	Part #	Description	Req
2	9785792	Crush Sleeve	1
4	15315	Pinion Seal	1
5	M86610	Bearing , Pinion, Outer (Cup)	1
6	M86649	Bearing , Pinion, Outer (Cone)	1
7	HM89410	Bearing , Pinion, Inner (Cup)	1
8	HM89449	Bearing , Pinion, Inner (Cone)	1
9	LM501349	Bearing , Diff Side (Cone)	2
10	LM501314	Bearing , Diff Side (Cup)	2
11	3752901	Pinion Nut	1
12	26066456	Gasket	1

Sealant, Marking Compound, Loctite, Pinion Shims, Brush included.



GM8.2 - SPGK INTERNAL NEST KIT

Illust #	Part #	Description	Req
NI	NSS	Side Gears	2
NI	NSS	Pinion Gears	2
NI	NSS	Washers , Pinion Gear	2
NI	NSS	Washers , Side Gear	2
NI	NSS	Cross Shaft	1

GM 8.2" 10 BOLT



LIMITED SLIPS AND LOCKERS AVAILABLE FOR GM 8.2" 10 BOLT

Manufacturer	Part #	Description	R.G. Size	Ratios	Spline	Years
	542060	Auburn Gear Non C-Lock (27 Spln. Pinion)	8.2"	3.36 & up	28 Spline	B/O/P
	542061	Auburn Gear C-Lock (25 Spline Pinion)	8.2"	3.08 & up	28 Spline	Chev
	542099	Auburn Gear Non C-Lock (27 Spln. Pinion)	8.2"	3.23 & Down	28 Spline	1964 - 1971
	5420100	Auburn Gear Limited Slip (Pro Series)	8.2"	3.70 & Down	17 Spline	1955 - 1964
	544804	Auburn Mini Spool	8.2"	All	28 Spline	1964 - 1972
	19603-010	Eaton Limited Slip (Chev)	8.2"	3.08 & up	28 Spline	1964 - 1972
	19674-010	Eaton Limited Slip	8.2"	3.36 & up	28 Spline	1964 - 1971
	19686-010	Eaton Limited Slip	8.2"	3.90 & Down	17 Spline	1955 - 1964
	19690-010	Eaton Posi - (Corvette Application)	8.2"	3.08 - 3.90	17 Spline	1963 - 1979
	19670-010	Eaton Posi - (Corvette Application)	8.2"	3.08 - 3.70	17 Spline	1963 - 1979
	19673-010	Eaton Posi - (Corvette Application)	8.2"	4.11 - 4.56	17 Spline	1963 - 1979

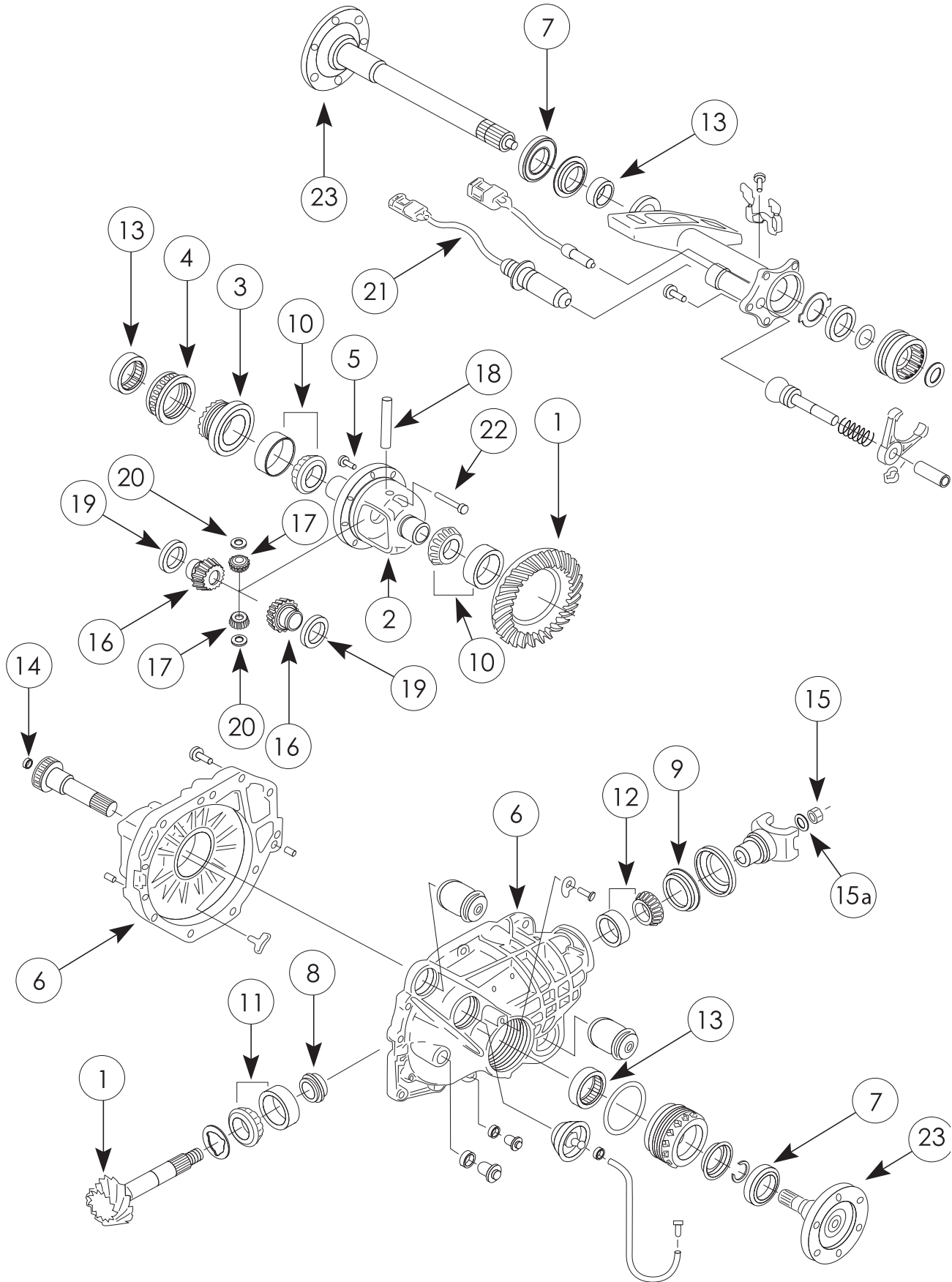
When installing a Limited Slip, Posi additive M-19546-A-1 is required.

FOOTNOTES

* Buick, Pontiac, Olds, need 27 Spline pinion.

* Note Original pinion is tapered and uses longer crush sleeves which fits between inner & outer pinion bearings. New pinion require short crush sleeve between shoulder on pinion & outer bearing

GM 8 1/4" IFS



GM 8 1/4" IFS

Crown Diameter	8.25"
Crown Bolts	(10) 7/16" x 20 LH
Housing Bolts	10
Carrier Breaks	None
Pinion Spline	30, 1.625"

GM 8 1/4" INDEPENDENT FRONT SUSPENSION

Illust #	Part #	Description	Req
1	GM8.25-342	Crown & Pinion , 3.42 Ratio, Quality Gear	1
1	GM8.25-373	Crown & Pinion , 3.73 Ratio, Quality Gear	1
1	GM8.25-410	Crown & Pinion , 4.10 Ratio, Quality Gear	1
1	GM8.25-456	Crown & Pinion , 4.56 Ratio, Quality Gear	1
1	GM8.25-488	Crown & Pinion , 4.88 Ratio, Quality Gear	1
1	GM8.25-513	Crown & Pinion , 5.13 Ratio, Quality Gear	1
2	26018131	Case , (Open, Empty)	1
3	12470318	Adjuster , Differential Side Bearing	2
4	15588340	Adjuster , Insert	2
5	14066913	Bolts , Ring Gear	10
6	15572988	Housing , Carrier Aluminum 1988-97	1
6	26058831	Housing , Carrier Aluminum 1997 & Up	1
15a	5086703AA	Washer	1
21	26013495	Actuator , Switch 1992-94 k15/35	1
21	26043590	Actuator , Switch 1992-94	1
21	26060073	Actuator , Switch 1992-94	1
23		refer to axle table	

R10IFS - MASTER REBUILD KIT

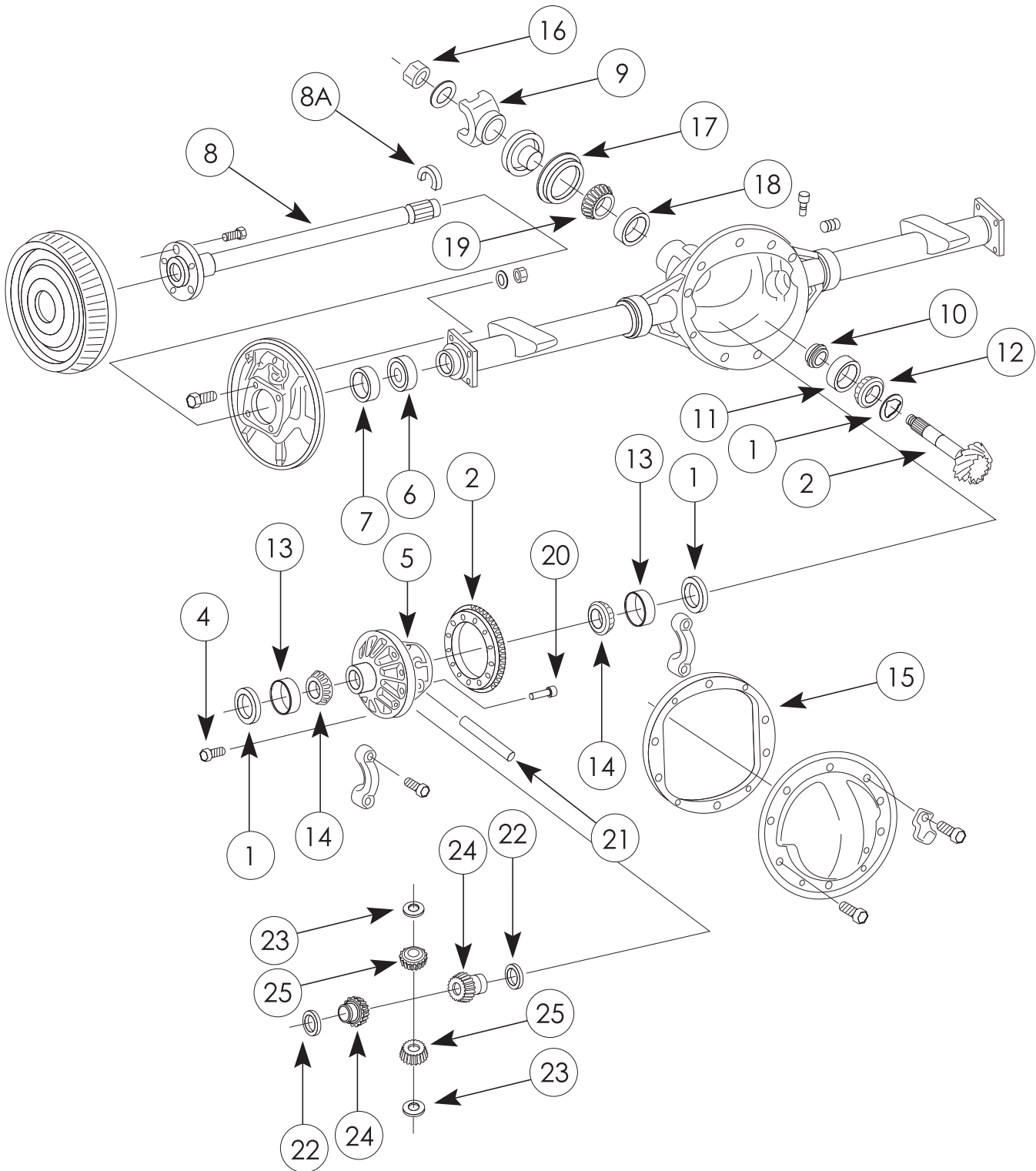
Illust #	Part #	Description	Req
7	15801507	Seal , Output	2
8	1234726	Crush Sleeve	1
9	19428 or 710281	Seal , Pinion	1
10	LM501314	Bearing , Differential Side (Cup)	2
10	LM501349	Bearing , Differential Side (Cone)	2
11	M802011	Bearing , Pinion Inner (Cup)	1
11	M802048	Bearing , Pinion Inner (Cone)	1
12	M88010	Bearing , Pinion Outer (Cup)	1
12	M88048	Bearing , Pinion Outer (Cone)	1
13	B2012	Bearing , Needle	3
14	BH78	Bearing , Outer Pilot	1
15	1260823	Nut , Pinion	1
NIS	BH208	Needle Bearing	1

Sealant, Marking Compound, Loctite, Pinion Shims & Brush included.

GM8.25-SPGK - INTERNAL NEST KIT (28 Spline)

Illust #	Part #	Description	Req
16	40001013	Gear , Side (LH) - has C-Clip Groove	1
16	26051481	Gear , Side (RH)	1
17	26051480	Gear , Pinion	2
18	14006401	Cross Shaft , Pinion	1
19	15588351	Washer , Side Gear	2
20	15588350	Washer , Pinion Gear	2
22	9428890	Split Pin , (1/4" x 1 3/4")	1

GM 8 1/2" 10 BOLT



GM 8 1/2

Crown Diameter	8.5"
Crown Bolts	(10) 7/16" x 20 LH
Housing Bolts	10
Carrier Breaks	2.56/2.73
Pinion Spline	30, 1.625"

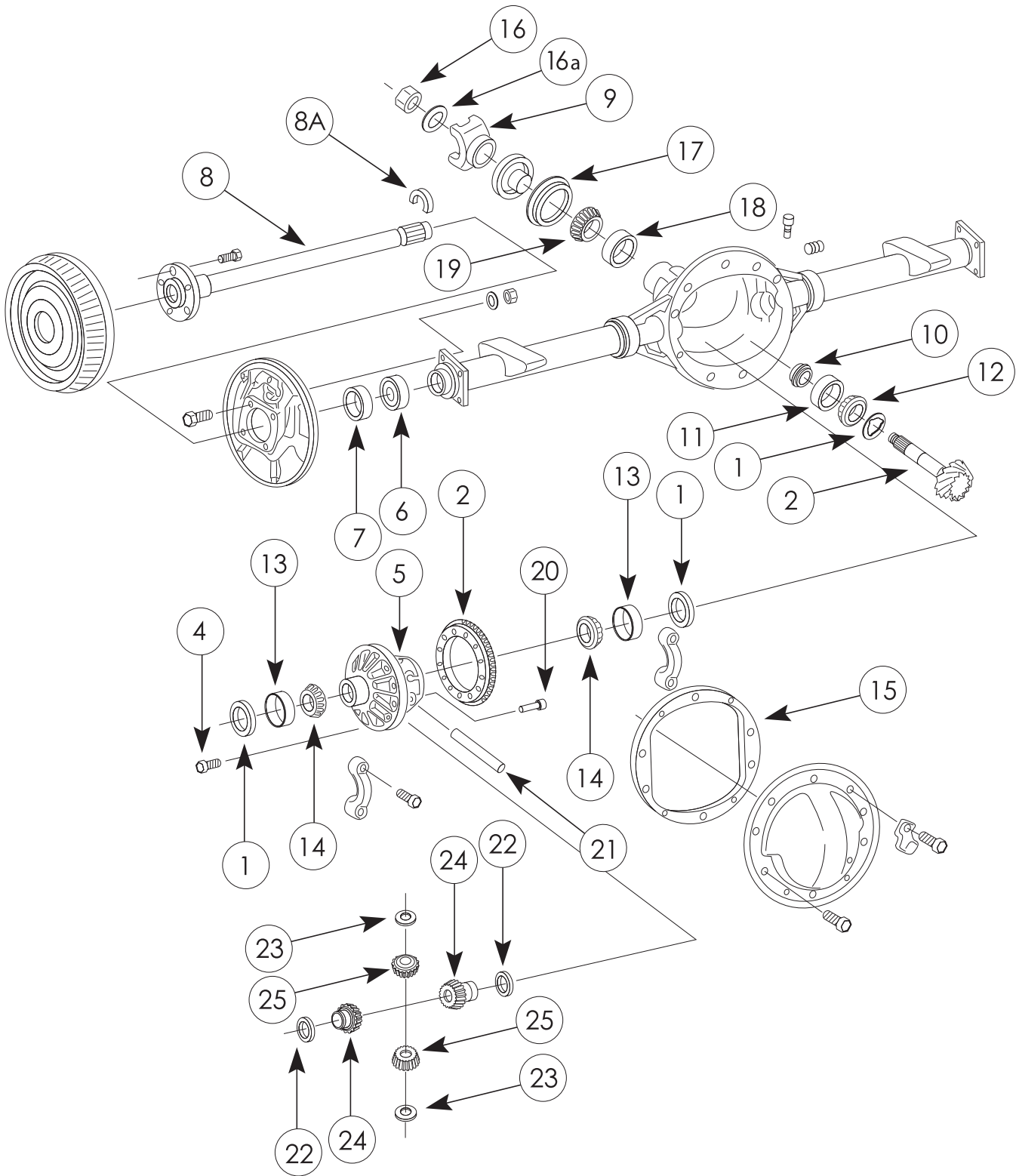
GM 8 1/2" 10 BOLT FRONT & REAR

Illust #	Part #	Description	Req
1	GM10MSK	Master Shim Kit (As Required .006 - .024)(Not sold sep.) up to 1997	AR
1	F8.8MSK	Master Shim Kit (As Required .006 - .024)(Not sold sep.) Trucks '98 and Up	AR
2	26019799	Crown & Pinion , 2.56 Ratio, Quality Gear	1
2	GM10-273	Crown & Pinion , 2.73 Ratio, Quality Gear	1
2	GM10 - 308 (GM10 - 308A*)	Crown & Pinion , 3.08 Ratio, Quality Gear	1
2	GM10 - 342 (GM10 - 342A*)	Crown & Pinion , 3.42 Ratio, Quality Gear	1
2	GM10 - 373 (GM10 - 373A*)	Crown & Pinion , 3.73 Ratio, Quality Gear	1
2	GM10 - 410 (GM10 - 410A*)	Crown & Pinion , 4.10 Ratio, Quality Gear	1
2	GM10-456	Crown & Pinion , 4.56 Ratio, Quality Gear	1
2	GM10-488	Crown & Pinion , 4.88 Ratio, Quality Gear	1
2	GM10-513	Crown & Pinion , 5.13 Ratio, Quality Gear	1
4	14066913	Bolt , Crown	10
5	26010481**	Case (Less Internal Gears, Open)	1
6	6408	Bearing , Axle Shaft (to 1987)	2
6	513067	Bearing , Axle shaft (1988 & Up)	2
7	16044	Seal , Axle (to 1987)	2
7	4762N	Seal , Axle (1988 & Up)	2
8		Axle Shaft Refer to Table	
8A	3833322	C-Clip	2
9	3988524	Yoke	1
9	31022719	Yoke , 3R Series	1
9	3-4-8691-1X	Yoke , 1350 Series	1

* Part Number ABS Compatible.

** For 1998 to mid 2000 use 26060748 & GM10-SPGK30-99; For mid 2000 and Up use 40007876 & GM10-SPGK30-00

GM 8 1/2" 10 BOLT



R10 OVERHAUL KIT (UP to 1998)

Illust #	Part #	Description	Req
10	1234726	Crush Sleeve	1
11	M802011	Bearing , Pinion Inner (Cup)	1
12	M802048	Bearing , Pinion Inner (Cone)	1
13	LM501314	Bearing , Diff Side (Cup)	2
14	LM501349	Bearing , Diff Side (Cone)	2
15	3993593	Gasket	1
16	1260823	Nut, Pinion	1
17	19273*	Seal , Pinion	1
18	M88010	Bearing , Pinion Outer (Cup)	1
19	M88048	Bearing , Pinion Outer (Cone)	1

* Front diff requires # 19277

** 1998 & up use R1098 Bearing Kit

Marking Compound, Loctite, Brush & Shims Set included.

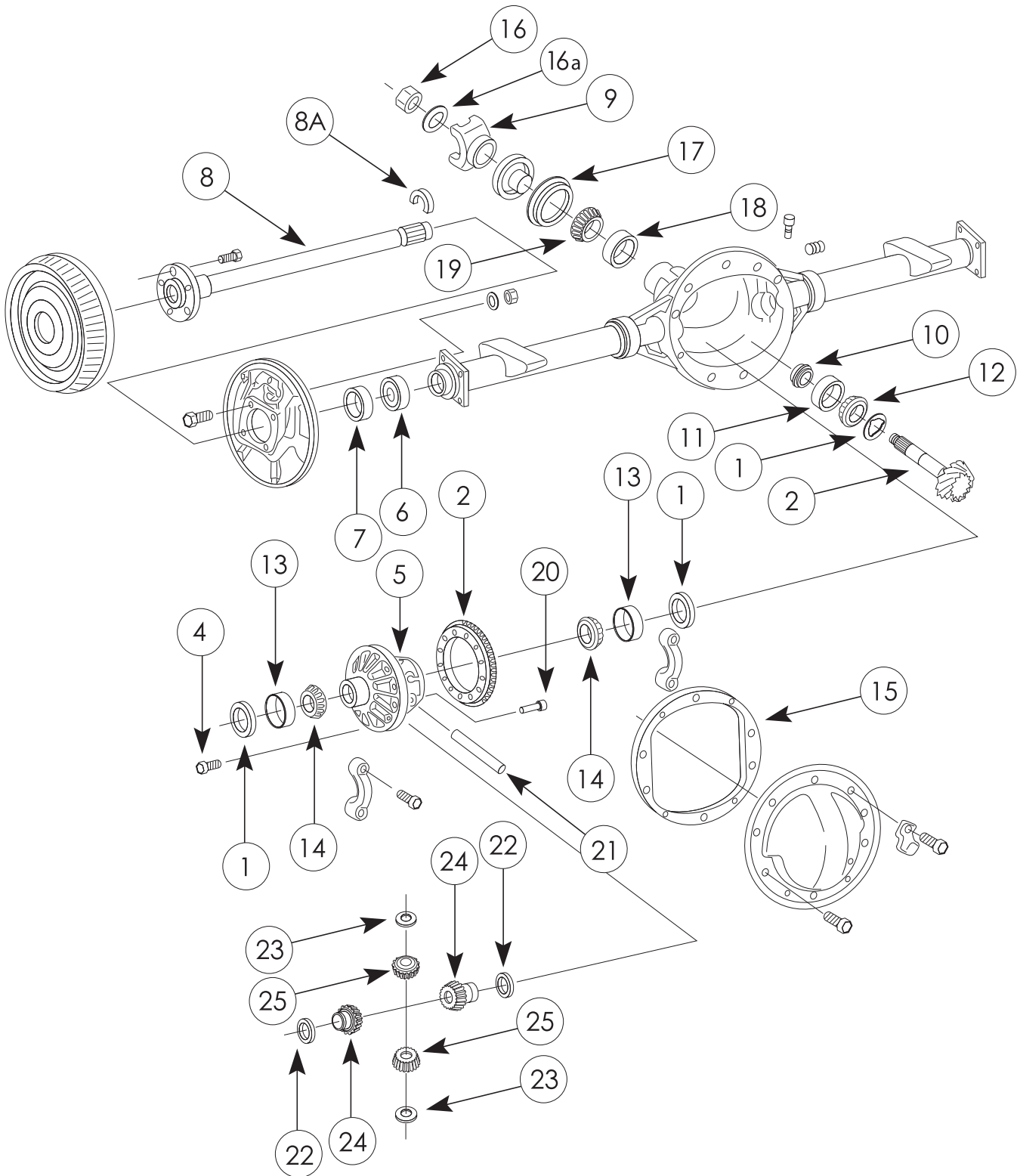
R10E OVERHAUL KIT*

Illust #	Part #	Description	Req
10	1234726	Crush Sleeve	1
11	M802011	Bearing , Pinion Inner (Cup)	1
12	M802048	Bearing , Pinion Inner (Cone)	1
13	LM102911	Bearing , Diff Side (Cup)	2
14	LM102949	Bearing , Diff Side (Cone)	2
15	3993593	Gasket	1
16	1260823	Nut , Pinion	1
17	19273	Seal , Pinion	1
18	M88010	Bearing , Pinion Outer (Cup)	1
19	M88048	Bearing , Pinion Outer (Cone)	1

Marking Compound, Loctite, Brush & Shims Set included.

* See chart Page 29

GM 8 1/2" 10 BOLT



GM10-SPGK28 INTERNAL NEST KIT (28 Spline)

Illust #	Part #	Description	Req
20	14056196	Screw , Pinion Lock	1
21	14006401	Shaft , Pinion	1
22	1235873	Washer , Side Gear	2
23	3984818	Washer , Pinion Gear	2
24	26019851	Gear , Side (1st generation)	2
24	40000918	Gear , Side (2nd generation)	2
25	26019418	Gear , Pinion (1st generation)	2
25	26051480	Gear , Pinion (2nd generation)	2

GM10-SPGK30 INTERNAL NEST KIT (30 Spline)

Illust #	Part #	Description	Req
20	14056196	Screw , Pinion Lock	1
21	14006401	Shaft , Pinion	1
22	1235873	Washer , Side Gear	2
23	3984818	Washer , Pinion Gear	2
24	26019419	Gear , Side (1st generation)	2
24	26051480	Gear , Side (2nd generation)	2
25	26019418	Gear , Pinion (1st generation)	2
25	26051483	Gear , Pinion (2nd generation)	2

GM10-SPGK30-99* INTERNAL NEST KIT (30 Spline) 1999-MID 2000

Illust #	Part #	Description	Req
20	14056196	Screw , Pinion Lock	1
21	14006401	Shaft , Pinion	1
22	40000160	Washer , Side Gear	2
23	3984818	Washer , Pinion Gear	2
24	40000384	Gear , Side	2
25	26051480	Gear , Pinion	2

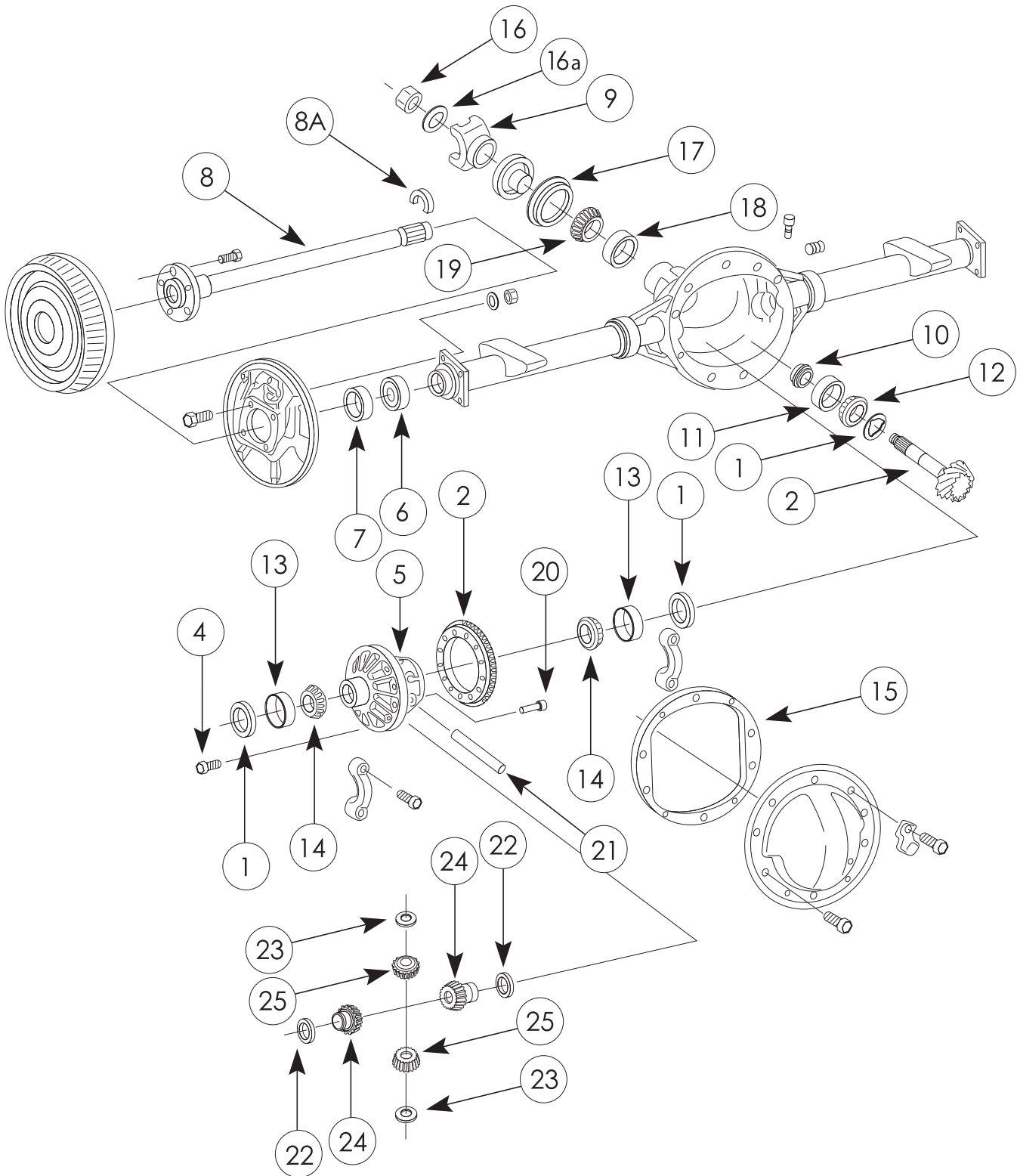
* Required for '99 up Silverado & Sierra's

GM10-SPGK30-00 INTERNAL NEST KIT (30 Spline) mid 2000 & up

Illust #	Part #	Description	Req
20	14056196	Screw , Pinion Lock	1
21	14006401	Shaft , Pinion	1
22	40000160	Washer , Side Gear	2
23	3984818	Washer , Pinion Gear	2
24	40000384	Gear , Side	2
25	12471541**	Gear , Pinion	2

** Gear is .75 mm thinner than 26051480 from GM10-SPGK30-99 KIT

GM 8 1/2" 10 BOLT



LIMITED SLIPS AND LOCKERS AVAILABLE FOR GM 8 1/2" 10 BOLT

Manufacturer	Part #	Description	R.G. Size	Ratios	Spline	Years
Detroit Locker	187C149A	Detroit Locker (C-Clip)	8 1/2"	2.73 & Up	28 Spline	1977-89
	187C148A	Detroit Locker (C-Clip)	8 1/2"	3.08 & Up	30 Spline	1989-98
Detroit Truetrac	912A557	Detroit Truetrac (Limited Slip) Front	8 1/2"	2.73 & Up	28 Spline	1977-89
	912A556	Detroit Truetrac (Limited Slip) Rear	8 1/2"	2.73 & Up	28 Spline	1980-89
	913A481*	Detroit Truetrac (Limited Slip)	8 1/2"	2.73 & Up	30 Spline	1989-Current
E-Z Locker	813A022	Detroit E-Z Locker	8 1/2"	2.73 - 5.13	28 Spline	1977-89
	813A023	Detroit E-Z Locker	8 1/2"	2.73 - 5.13	30 Spline	1989 - 98
Auburn Gear	542050	Auburn Gear Limited Slip (Pro Series)	8 1/2"	2.73 & Up	28 Spline	1988 & Prior
	542052	Auburn Gear Limited Slip (Pro Series)	8 1/2"	2.73 & Up	30 Spline	1989 & Up
	542018	Auburn Gear Limited Slip (Street Series)	8 1/2"	2.73 & Up	28 Spline	1988 & Prior
	542022**	Auburn Gear Limited Slip (Street Series)	8 1/2"	2.73 & Up	30 Spline	1989 - 99
	542029	Auburn Gear Limited Slip (Street Series)	8 1/2"	2.56 & Dn	30 Spline	1989 & Up
	545003	Auburn Ected	8 1/2"	2.73 & Up	28 Spline	1971-88
	545004	Auburn Ected	8 1/2"	2.73 & Up	30 Spline	1989 & Up
	542802	Auburn Mini-Spool	8 1/2"	All	30 Spline	1972 & Up
	542803	Auburn Mini-Spool	8 1/2"	All	28 Spline	1972 & Up
	544819	Auburn Spool	8 1/2"	2.73 & Up	30 Spline	Varies
544820	Auburn Spool	8 1/2"	2.73 & Up	33 Spline	Varies	
EATON	19557-010*	Eaton Limited Slip	8 1/2"	2.76 & Up	28 Spline	C-1971-88 T-1980-88
	19559-010*	Eaton Limited Slip	8 1/2"	2.76 & up	30 Spline	1989 & Up
ARB AIR LOCKER	RD83	ARB Airlocker (Front & Rear)	8 1/2"	2.73 & Up	28 Spline	1977-89
	RD84	ARB Airlocker***	8 1/2"	2.73 & Up	30 Spline	1990 & Up
LOCK RIGHT	1920	Lock-Right Locker	8 1/2"	All	28 Spline	1988 & Prior
	1921	Lock-Right Locker	8 1/2"	All	30 Spline	1989 & Up

When installing a Limited Slip, Posi additive M-19546-A-1 is required.

*Large Bearing Hub

** For Silverado and Sierra 1999 & Up use 542097

***1998 & Up GM switched to 12 bolt bearings. Must use Seal Housing #080501, and Shim Kit #SHK002 for proper Airlocker installation

GM LIMITED SLIP HUB IDENTIFICATION

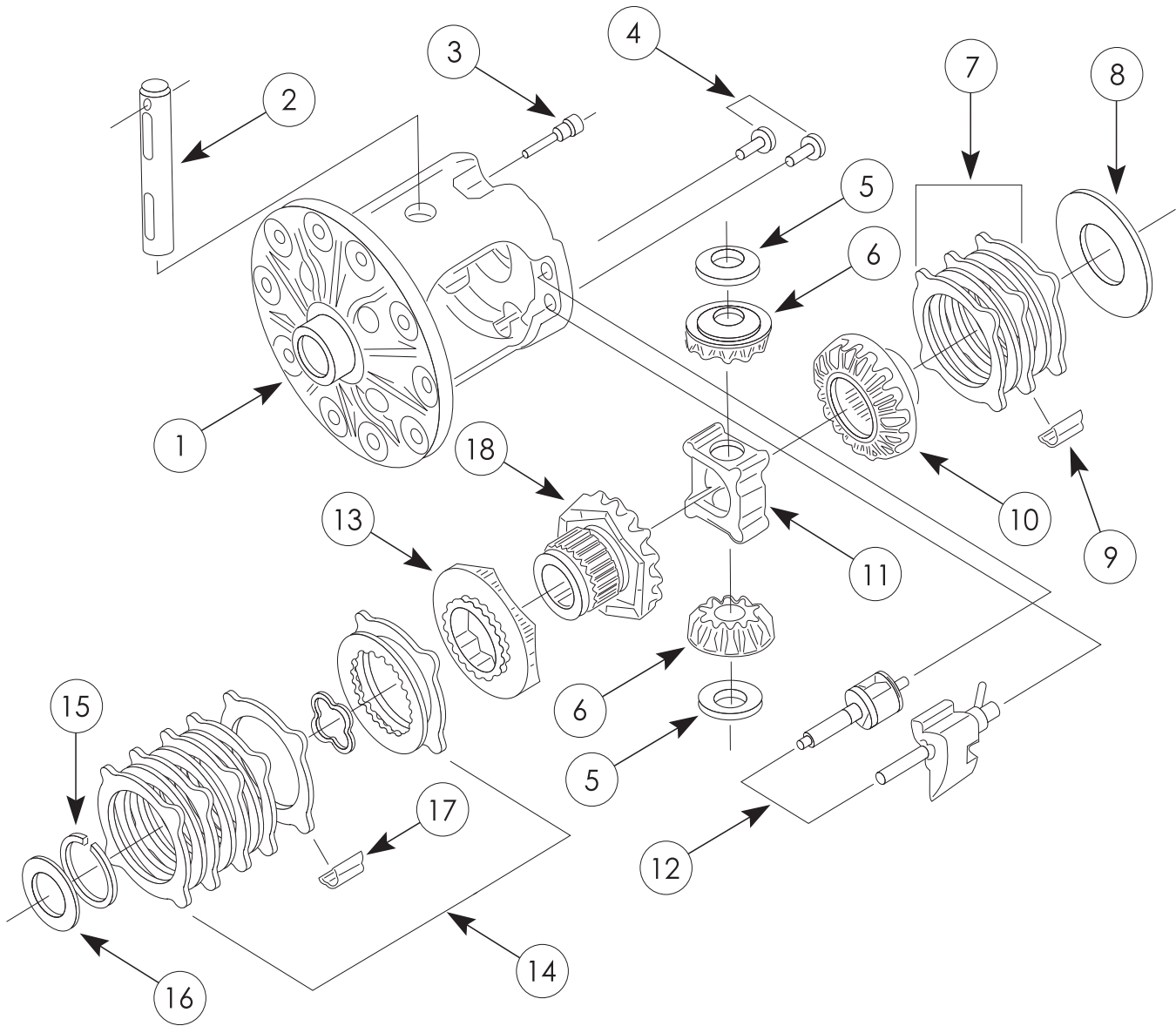
Large Bearing Hubs on the case measure approximately: 1.784" and use LM603049/LM603012 Bearings

Small Bearing Hubs on the case measure approximately: 1.628" and use LM501349/LM501314 Bearings

	Smaller Bearing Hubs 1999 Down	Larger Bearing Hubs 1999 Up
Factory Style Loaded Posi 30 SPL	12471391	12471529
Posi & Lockers	See Posi & Locker chart	See Posi & Locker chart
Bearing Kit	R10	R1098

To install Large Bearing Hub LSD/Locker into Small Bearing Hub Differential use Bearing Kit R10E or Side Bearing LM102949/LM102911

GM 8 1/2" 10 BOLT LOCKING

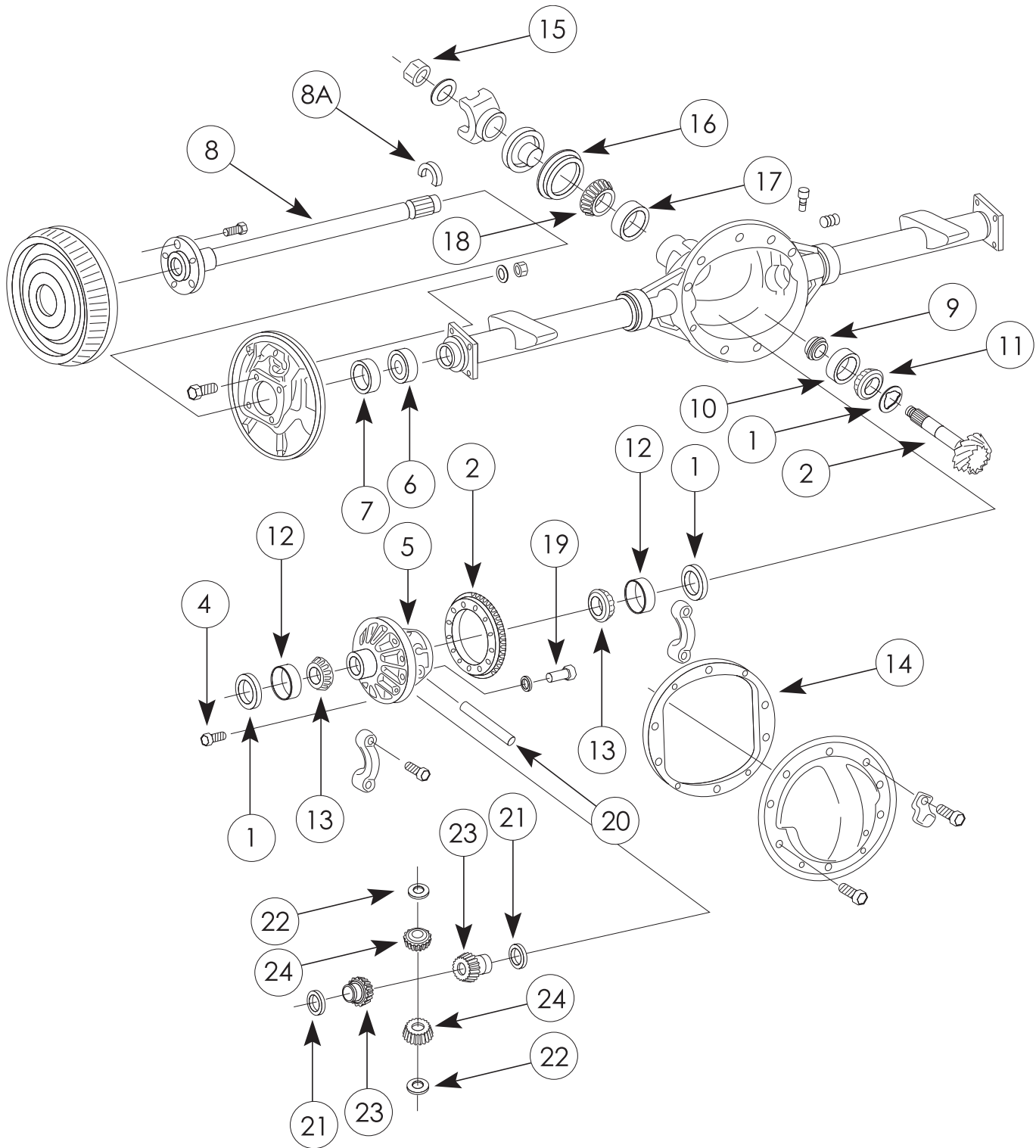


GM 8 1/2" 10 BOLT LOCKING DIFFERENTIAL

Illust #	Part #	Description	Req
1	14067493	Case , Differential (Loaded, W/2.56 Ratio)	1
1	26045476	Case , Differential (Loaded, Exc/2.56 Ratio) 28 Spline	1
1	12471391	Case , Differential (Loaded, Exc/2.56 Ratio) 30 Spline Small Brg. Hub	1
1	12471529*	Case , Differential (Loaded, Exc/2.56 Ratio) 30 Spline Large Brg. Hub	1
2	14048412	Shaft , Pinion	1
3	14056196	Screw , Pinion Lock	1
4	14048409 (8 7/8 + 9.5)	Bushing , Differential Lockout	2
5	14048388	Washer , Pinion Thrust	2
6	15588700	Gear , Pinion	2
7	26045829	Plate Kit , Locking (Bell End) RH	1
8	14063581	Washer , Side Thrust (.010)(Bell End)	AR
8	14063582	Washer , Side Thrust (.015)(Bell End)	AR
8	14063583	Washer , Side Thrust (.020)(Bell End)	AR
8	14063584	Washer , Side Thrust (.025)(Bell End)	AR
8	14063585	Washer , Side Thrust (.030)(Bell End)	AR
8	14063586	Washer , Side Thrust (.035)(Bell End)	AR
8	14063587	Washer , Side Thrust (.040)(Bell End)	AR
8	14063588	Washer , Side Thrust (.045)(Bell End)	AR
9	462787	Clip , Differential Guide (RH)	1
10	15599620	Gear , Differential Side (RH) 28 Spline (1988 & Down)	1
10	26012908	Gear , Differential Side (RH) 30 Spline (1989 & Up)	1
11	14048425	Block , Thrust (Purple)	1
11	14048426	Block , Thrust (White)	1
11	14048427	Block , Thrust (Brown)	1
11	14048428	Block , Thrust (Yellow)	1
11	14048429	Block , Thrust Orange)	1
11	14048430	Block , Thrust (Red)	1
11	14048431	Block , Thrust (Green)	1
11	14048432	Block , Thrust (Blue)	1
12	14048410	Governor Kit , Differential	1
13	14048413	Cam Plate , Differential	1
14	26045830	Plate Kit , Locking (Flange End) LH	1
15	9414849	Retainer , Ext Snap Ring (.52mm dia Shf)	1
16	14048416	Washer , Side Thrust (.022)(Flange End)	AR
16	14048417	Washer , Side Thrust (.027)(Flange End)	AR
16	14048418	Washer , Side Thrust (.032)(Flange End)	AR
16	14048419	Washer , Side Thrust (.036)(Flange End)	AR
16	14048420	Washer , Side Thrust (.040)(Flange End)	AR
16	14048421	Washer , Side Thrust (.044)(Flange End)	AR
16	14048422	Washer , Side Thrust (.048)(Flange End)	AR
16	14048423	Washer , Side Thrust (.052)(Flange End)	AR
17	15599623	Clip , Guide (LH)	1
18	15599619	Gear , Differential Side (LH) 28 Spline (1988 & Dn)	1
18	26012907	Gear , Differential Side (LH) 30 Spline (1989 & Up)	1
NI	M-19546-A-1	Posi Additive (Use with limited slip for GM)	1

* For Silverado and Sierra 1999 and up

GM 8.6" 10 BOLT



GM 8.6" 10 BOLT REAR 1998 & UP

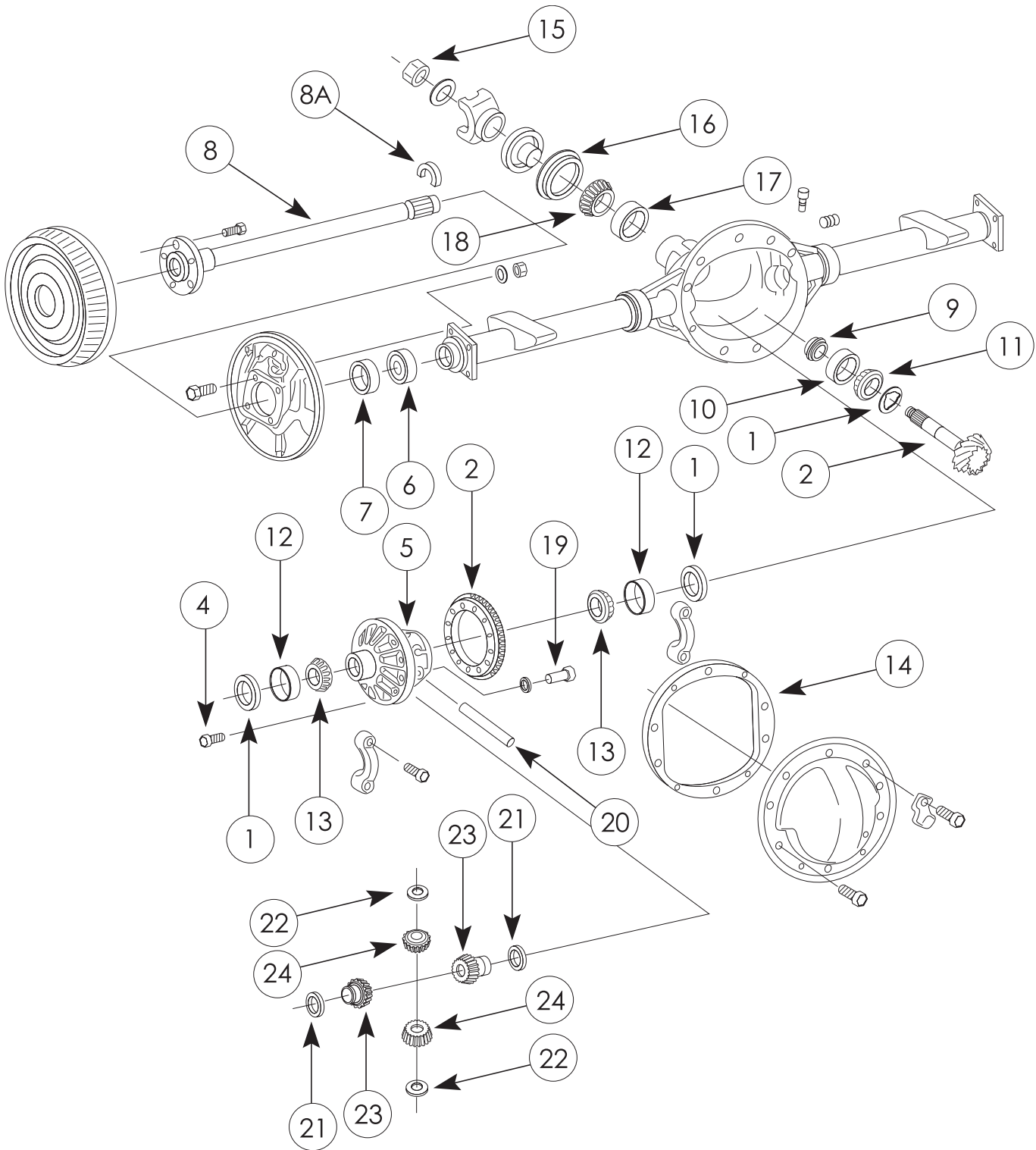
Illust #	Part #	Description	Req
2	GM10-273	Crown & Pinion , 2.73 Ratio, Quality Gear	1
2	GM10-308	Crown & Pinion , 3.08 Ratio, Quality Gear	1
2	GM10-306	Crown & Pinion , 3.08 Ratio, ABS Compatible, Quality Gear	1
2	GM10-342	Crown & Pinion , 3.42 Ratio, Quality Gear	1
2	GM10-342A	Crown & Pinion , 3.42 Ratio, ABS Compatible, Quality Gear	1
2	GM10-373	Crown & Pinion , 3.73 Ratio, Quality Gear	1
2	GM10-373	Crown & Pinion , 3.73 Ratio, ABS Compatible, Quality Gear	1
2	GM10-410	Crown & Pinion , 4.10 Ratio, Quality Gear	1
2	GM10-410A	Crown & Pinion , 4.10 Ratio, ABS Compatible, Quality Gear	1
2	GM10-488	Crown & Pinion , 4.88 Ratio, Quality Gear	1
2	GM10-513	Crown & Pinion , 5.13 Ratio, Quality Gear	1
1	F8.8MSK	Master Shim Kit - Up to 1998 (As Required .006 - .024) (Not sold sep.)	AR
Note: F8.8MSK replaces GM10MSK for 2000+ Models - Axle C-Clips required			
4	14066913	Bolt , Crown	10
5	40007876	Case (Less Internal Gears, Open) mid 2000 - up	1
6	513067	Axle Bearing	2
7	12471686	Axle Seal	2
8		Axle Shaft refer to axle table	
8A	3833322	C-Clip	2

R1098 - MASTER REBUILD KIT

Illust #	Part #	Description	Qty
9	1234726	Crush Sleeve	1
10	M802011	Bearing , Pinion Inner (Cup)	1
11	M802048	Bearing , Pinion Inner (Cone)	1
12	LM603012	Bearing , Diff Side (Cup)	2
13	LM603049	Bearing , Diff Side (Cone)	2
14	26066456	Gasket	1
15	1260823	Nut , Pinion	1
16	26064028	Seal , Pinion	1
17	M88010	Bearing , Pinion Outer (Cup)	1
18	M88048	Bearing , Pinion Outer (Cone)	1

Sealant, Marking Compound, Shim Kit, Loctite & Brush included.

GM 8.6" 10 BOLT



GM10-SPGK30 - 00 - INTERNAL NEST KIT Mid 2000 & Up*

Illust #	Part #	Description	Qty
19	14056196	Screw , Pinion Lock	1
20	14006401	Shaft , Pinion Gear	1
21	40000160	Washer , Side Gear	2
22	3984818	Washer , Pinion Gear	2
23	40000384	Gear , Side	2
24*	12471541	Gear , Pinion	2

N.S.S. - Not Sold Separately.

* '99 + Sierra, Silverado use GM-SPGK30-99, Pinion Gear is 0.75 mm thicker than GM10-SPGK30-00

* Mid '00 + Up use GM10 SPGK30-00

GM10-SPGK30 - 99 - INTERNAL NEST KIT 1999 - Mid 2000*








Illust #	Part #	Description	Qty
19	14056196	Screw , Pinion Lock	1
20	14006401	Shaft , Pinion Gear	1
21	40000160	Washer , Side Gear	2
22	3984818	Washer , Pinion Gear	2
23	40000384	Gear , Side	2
24*	26051480	Gear , Pinion	2

N.S.S. - Not Sold Separately.

* '99 + Sierra, Silverado use GM-SPGK30-99, Pinion Gear is 0.75 mm thicker than GM10-SPGK30-00

* Mid '00 + Up use GM10 SPGK30-00

LIMITED SLIPS AND LOCKERS AVAILABLE FOR GM 8.6 10 BOLT

Manufacturer	Part #	Description	R.G. Size	Ratios	Spline	Years
	187C148A	Detroit Locker (C-Clip)	8 1/2" / 8.6"	3.08 & Up	30 Spline	1989-98
	913A481	Detroit Truetrac (Limited Slip)	8 1/2" / 8.6"	3.08 & Up	30 Spline	1989-96
	813A023	Detroit E-Z Locker	8 1/2" / 8.6"	2.73 - 5.13	30 Spline	1989-98
	542052	Auburn Gear Limited Slip (Pro Series)	8 1/2" / 8.6"	2.73 & Up	30 Spline	1988 & Up
	542097	Auburn Gear Limited Slip (Street Series)	8 1/2" / 8.6"	2.73 & Up	30 Spline	1998 & Up
	545004	Auburn Ected	8 1/2" / 8.6"	2.73 & Up	30 Spline	1989 & Up
	544820	Auburn Racing Spool	8 1/2" / 8.6"	2.73 & Up	33 Spline	1988 & Up
	19559-010	Eaton E-Locker Limited Slip	8 1/2" / 8.6"	2.76 & Up	30 Spline	1989 & Up
	19659-010	Eaton E-Locker Limited Slip	8 1/2" / 8.6"	2.76 & Up	30 Spline	1989 & Up w/ LG Hub (Car/Truck)
	RD84	ARB Airlocker***	8 1/2" / 8.6"	2.73 & Up	30 Spline	1989 & Up
	1921**	Lock-Right Locker	8 1/2"	All	30 Spline	1989 & Up

When installing a Limited Slip, Posi additive M-19546-A-1 is required.

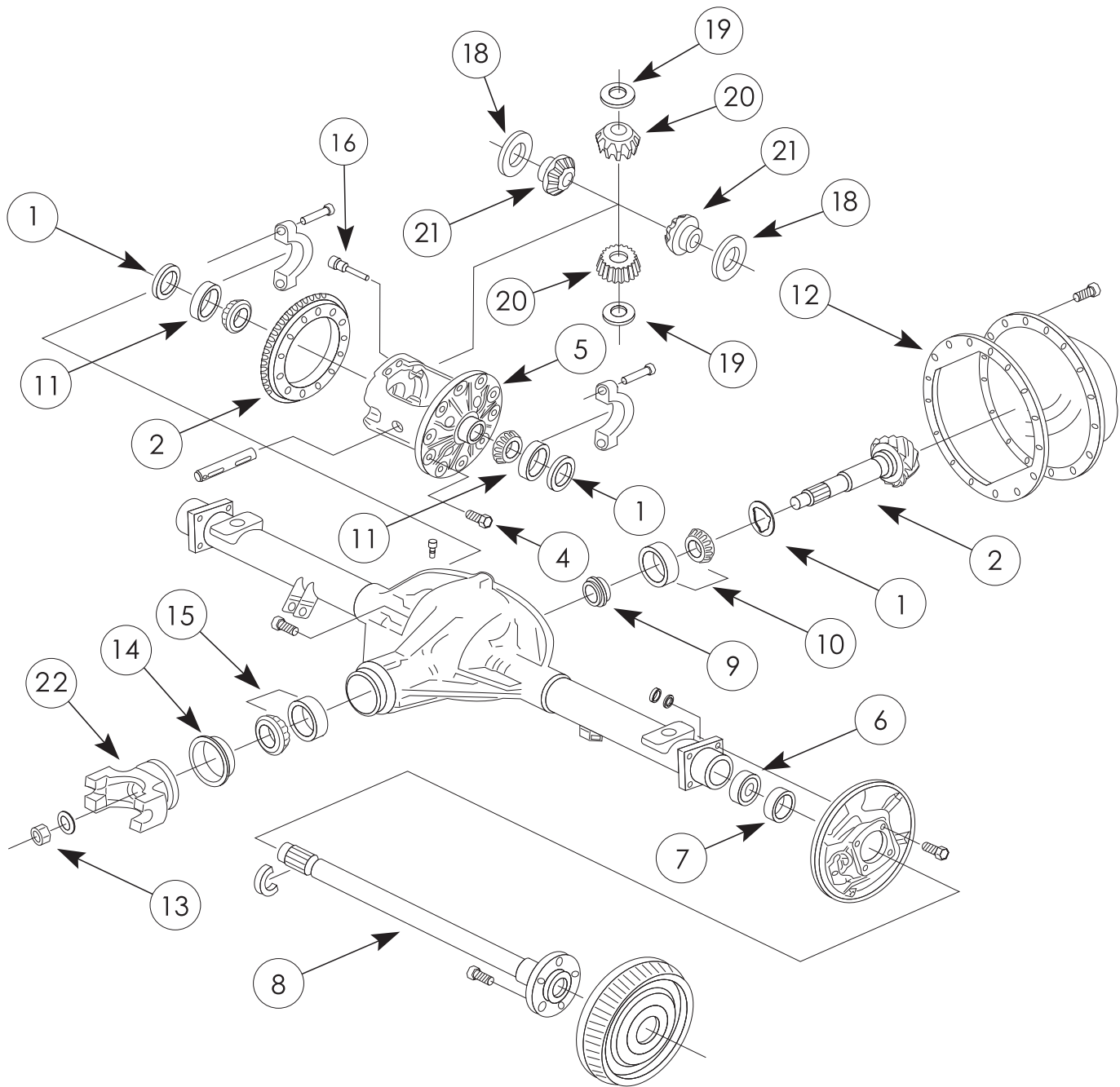
* '99 + Sierra, Silverado use GM-SPGK30-99, Pinion Gear is 0.75 mm thicker than GM10-SPGK30-00

* Mid 00 + Up use GM10 SPGK30-00.

** Must install new Pinion Shaft P/N 14006401.

***1998 & Up GM switched to 12 bolt bearings. Must use Seal Housing #080501, and Shim Kit #SHK002 for proper Airlocker installation

GM 8 7/8" 12 BOLT CAR



GM 8 7/8 CAR

Crown Diameter	8.875"
Crown Bolts	(12) 3/8" x 24 RH
Housing Bolts	12
Carrier Breaks	3.73/3.90
Pinion Spline	30, 1.625"

GM 8 7/8" 12 BOLT REAR DIFFERENTIAL (CAR)

Illust #	Part #	Description	Req
1	F8.8MSK	Master Shim Kit (Not sold sep.)	AR
2	GM12-308C	Crown & Pinion , 3.08 ratio, Quality Gear	1
2	GM12-342C	Crown & Pinion , 3.42 Ratio, Quality Gear	1
2	GM12-355C	Crown & Pinion , 3.55 Ratio, Quality Gear	1
2	GM12-373C	Crown & Pinion , 3.73 ratio, Quality Gear	1
2	GM12-373CX Thick*	Crown & Pinion , 3.73 ratio, Quality Gear	1
2	GM12-390C	Crown & Pinion , 3.90 ratio, Quality Gear	1
2	GM12-410C	Crown & Pinion , 4.10 ratio, Quality Gear	1
2	GM12-410CX Thick*	Crown & Pinion , 4.10 ratio, Quality Gear	1
2	GM12-430C	Crown & Pinion , 4.30 ratio, Quality Gear	1
2	GM12-456C	Crown & Pinion , 4.56 ratio, Quality Gear	1
2	GM12-456CX Thick*	Crown & Pinion , 4.56 ratio, Quality Gear	1
2	GM12-488C	Crown & Pinion , 4.88 ratio, Quality Gear	1
2	GM12-488CX Thick*	Crown & Pinion , 4.88 ratio, Quality Gear	1
2	GM12-514C	Crown & Pinion , 5.14 ratio, Quality Gear	1
4	14003451	Bolt , Crown	12
6	6408	Bearing , Axle	2
7	16044	Seal , Axle	2
8		Axle Shaft , Refer to Table	
22	404-61EYA or 3104-09	End Yoke , 1310 Series	1
22	3879208	End Yoke , 1330 Series	1

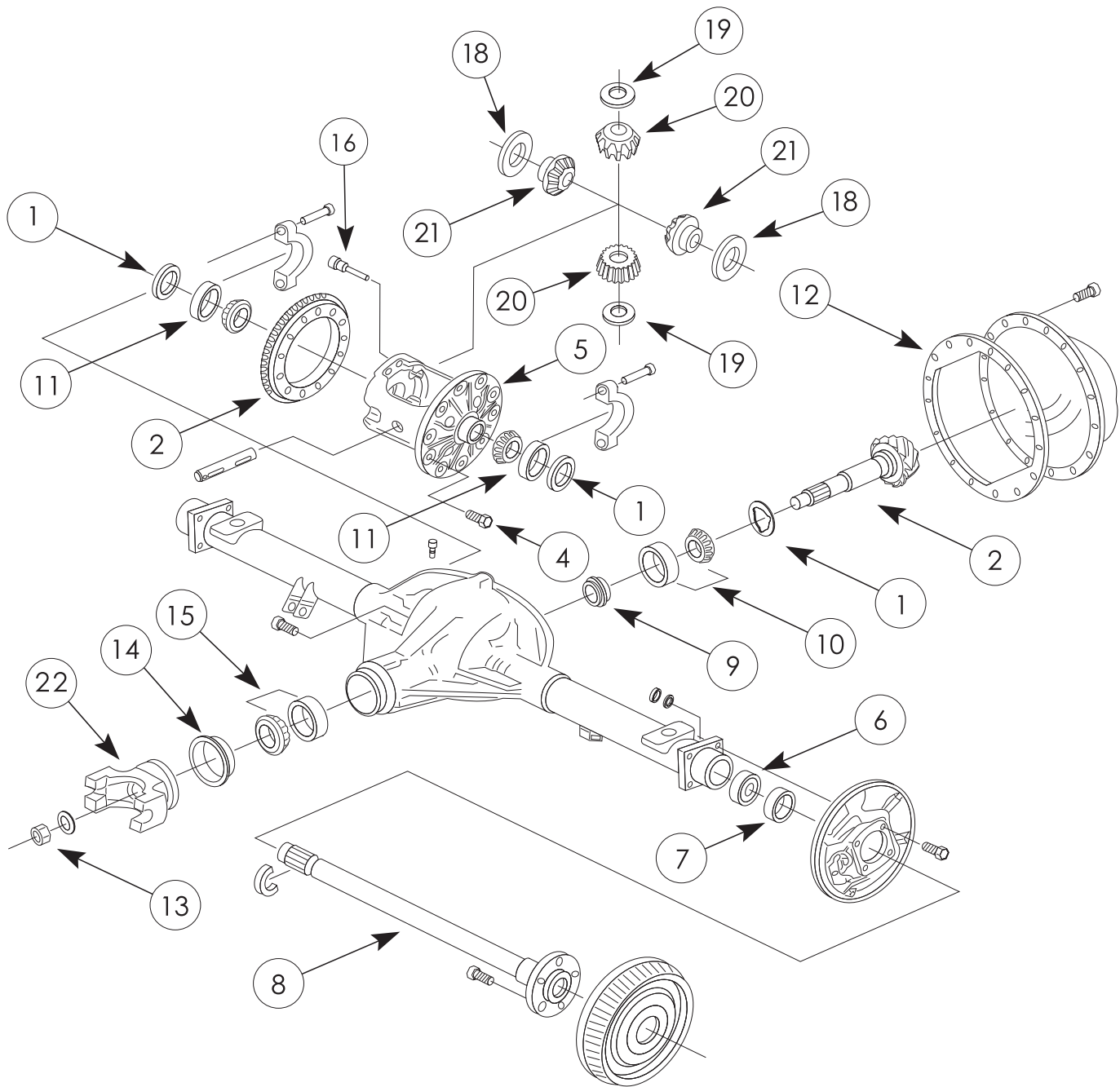
* No Case Change Required

R12 - MASTER REBUILD KIT (CAR)

Illust #	Part #	Description	Req
9	3954480	Crush Sleeve	1
10	M802011	Bearing , Inner Pinion (Cup)	1
10	M802048	Bearing , Inner Pinion (Cone)	1
11	LM603012	Bearing , Diff Side (Cup)	2
11	LM603049	Bearing , Diff Side (Cone)	2
12	15634848	Gasket	1
13	3752901	Pinion NUT	1
14	19273	Seal , Pinion	1
14	17190	Seal	1
15	M88010	Bearing , Pinion Outer (Cup)	1
15	M88048	Bearing , Pinion Outer (Cone)	1

Sealant, Marking Compound, Loctite, Shim Kit & Brush Included


GM 8 7/8" 12 BOLT CAR



GM12-SPGK - INTERNAL NEST KIT

Illust #	Part #	Description	Req
16	472546	Lockscrew	1
17	3931175	Shaft, Pinion	1
18	3846425	Washer, Side Gear	2
19	3880141	Washer, Pinion Gear	2
20	3880140	Gear, Pinion	2
21	3846078	Side Gear	2

LIMITED SLIPS AND LOCKERS AVAILABLE FOR GM 8 7/8" 12 BOLT (CAR)

Manufacturer	Part #	Description	R.G. Size	Ratios	Spline	Years
<i>Detroit Locker</i>	187C197A	Detroit Locker	8 7/8"	3.08 - 3.90	30 Spline	1968-72 ⁽²⁾
	187C198A	Detroit Locker	8 7/8"	3.08 - 3.90	33 Spline	1968-72 ⁽²⁾
<i>Detroit Truetrac</i>	913A555	Truetrac (3 Series)	8 7/8"	3.08-3.90	30 Spline	1968-72 ⁽²⁾
	914A575*	Truetrac (4 Series)	8 7/8"	4.10 & up	33 Spline	1968-72 ⁽¹⁾
	914A576*	Truetrac (High Perf. Car - Chevelle, Camaro)	8 7/8"	3.08-3.90	33 Spline	1968-72 ⁽²⁾
<i>E-Z Locker</i>	813A013	Detroit E-Z Locker	8 7/8"	3.73 - 4.88	30 Spline	Up to 1982
	542031	Auburn Gear Limited Slip (Pro Series) Car	8 7/8"	4.10 & Up	30 Spline	1965-72 ⁽¹⁾
	542033	Auburn Gear Limited Slip (Pro Series) Car	8 7/8"	3.07 - 3.90	30 Spline	1965-72 ⁽²⁾
	545008	Auburn Ected	8 7/8"	3.07 - 3.73	30 Spline	1964-72 ⁽²⁾
	545010	Auburn Ected	8 7/8"	4.10 & Up	30 Spline	1964-72 ⁽¹⁾
	544801	Auburn Mini Spool	8 7/8"	All	30 Spline	-
	544817	Auburn Spool	8 7/8"	4.10 & Up	30 Spline	-(1)
	544818	Auburn Spool	8 7/8"	4.10 & Up	33 Spline	-(1)
EATON	19554-010	Eaton Limited Slip	8 7/8"	3.07-3.73	30 Spline	1965-71 ⁽²⁾
	19555-010	Eaton Limited Slip	8 7/8"	3.90 & Up	30 Spline	1965-71 ⁽¹⁾

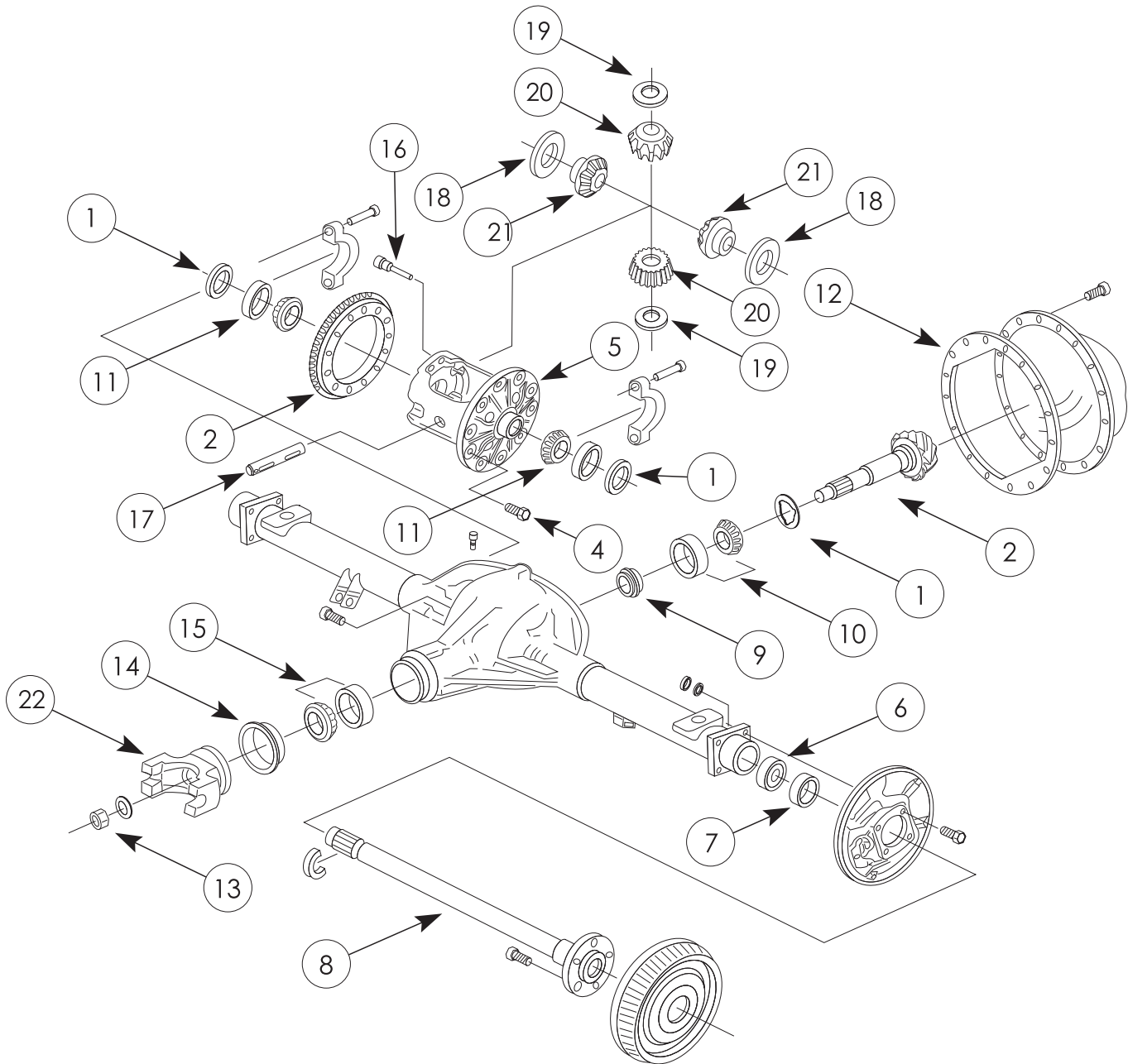
When installing a Limited Slip, Posi additive M-19546-A-1 is required.

* 33 spline units are made to fit axles cut with 45 degree pressure angle.

(1) - 4 Series Case

(2) - 3 Series Case

GM 8 7/8" 12 BOLT TRUCK



GM 8 7/8 TRUCK

Crown Diameter	8.875"
Crown Bolts	(12) 3/8" x 24 RH
Housing Bolts	12
Carrier Breaks	3.73/2.76 - 3.42/3.73
Pinion Spline	30, 1.438"

GM 8 7/8" 12 BOLT REAR DIFFERENTIAL - TRUCK

Illust #	Part #	Description	Req
1	GM12MSK	Master Shim Kit (Not sold sep.)	AR
2	GM12-273	Crown & Pinion , 2.73 Ratio, Quality Gear (1)	1
2	GM12-276	Crown & Pinion , 2.76 Ratio, Quality Gear (1)	1
2	GM12-308	Crown & Pinion , 3.08 Ratio, Quality Gear (1)	1
2	GM12-342	Crown & Pinion , 3.42 Ratio, Quality Gear (1)	1
2	GM12-373	Crown & Pinion , 3.73 Ratio, Quality Gear (1)	1
2	GM12-373X	Crown & Pinion , 3.73 Ratio (Thick Gear, No Case Change Req) (1)	1
2	GM12-411	Crown & Pinion , 4.11 Ratio, Quality Gear (1)	1
2	GM12-411X	Crown & Pinion , 4.11 Ratio (Thick Gear, No Case change Req) (1)	1
2	GM12-456	Crown & Pinion , 4.56 Ratio, Quality Gear (1)	1
2	GM12-488	Crown & Pinion , 4.88 Ratio, Quality Gear (1)	1
2	GM12-513	Crown & Pinion , 5.13 Ratio, Quality Gear (1)	1
4	14003451	Bolt , Crown	12
5	6258088	Case , (Open, Empty)(2.76-3.42 Ratio)	1
5	6258086	Case , (Open, Empty)(3.73 & Up)	1
5	14038052	Case , (2.56 & 2.73 Ratio)	1
6	6408	Bearing , Axle	2
7	16044	Seal , Axle	2
8		Axle Shaft , Refer to Table	
22	404-61EYA or 3104-09	End Yoke , 1310 Series	1
22	3879208	End Yoke , 1330 Series	

R12TR - MASTER REBUILD KIT (TRUCK)

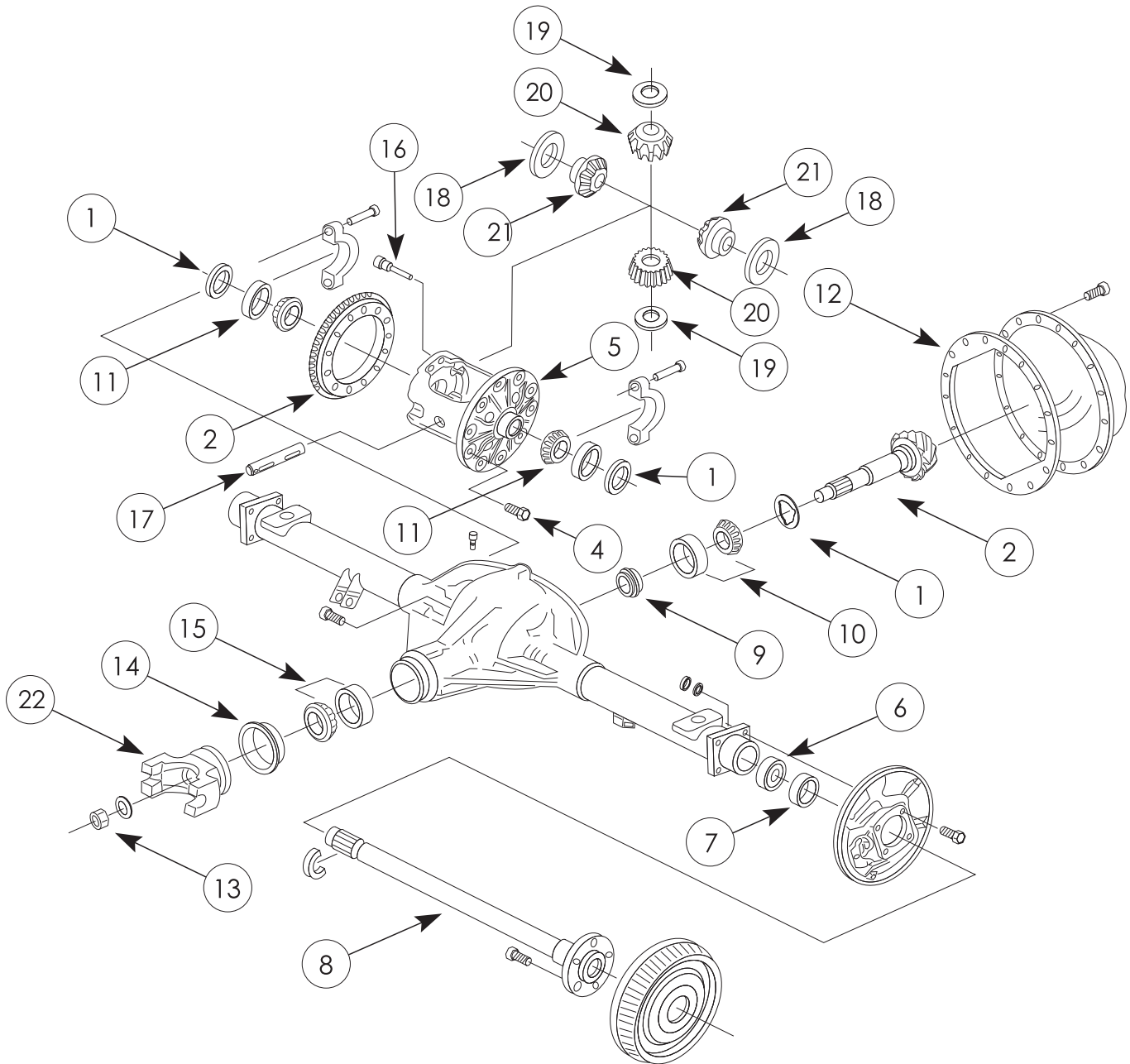
Illust #	Part #	Description	Req
9	3954482	Crush Sleeve	1
10	HM89410	Bearing , Pinion Inner (Cup)	1
10	HM89449	Bearing , Pinion Inner (Cone)	1
11	LM603012	Bearing , Diff Side (Cup)	2
11	LM603049	Bearing , Diff Side (Cone)	2
12	15634848	Gasket	1
13	3752901	Nut , Pinion	1
14	17190	Seal , Pinion	1
15	M88010	Bearing , Pinion Outer (Cup)	1
15	M88048	Bearing , Pinion Outer (Cone)	1

Sealant, Marking Compound, Loctite, Shim Kit & Brush included.

FOOTNOTES

(1) All of the Crown & Pinions listed on this page are for truck applications only.




GM 8 7/8" 12 BOLT TRUCK



GM12-SPGK - INTERNAL NEST KIT

Illust #	Part #	Description	Req
16	472546	Lockscrew	1
17	3931175	Shaft, Pinion	1
18	3846425	Washer, Side Gear	2
19	3880141	Washer, Pinion Gear	2
20	3880140	Gear, Pinion	2
21	3846078	Side Gear	2

LIMITED SLIPS AND LOCKERS AVAILABLE FOR GM 8 7/8" 12 BOLT

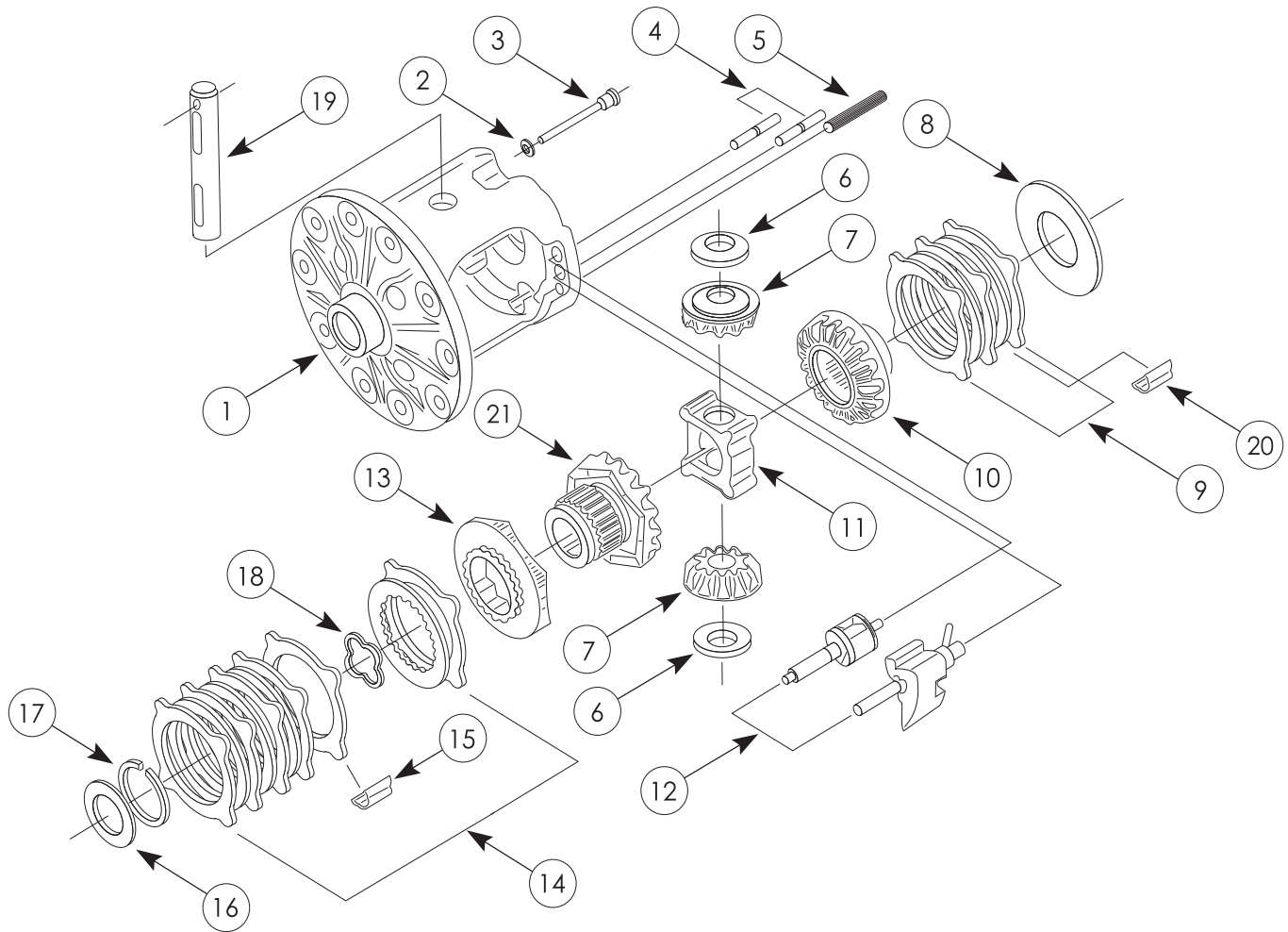
Manufacturer	Part #	Description	R.G. Size	Ratios	Spline	Years
Detroit Locker	187C150A	Detroit Locker (C-Clip)	8 7/8"	3.73 - 4.88	30 Spline	To 1982
Detroit Truetrac	913A315	Detroit Truetrac (Limited Slip)	8 7/8"	3.73 - 4.88	30 Spline	To 1982
E-Z Locker	813A013	Detroit E-Z Locker	8 7/8"	3.73 - 4.88	30 Spline	Up to 1982
	542032	Auburn Gear Limited Slip (Pro Series) Truck	8 7/8"	3.73 & Up	30 Spline	1964-82 ⁽¹⁾
	542034	Auburn Gear Limited Slip (Pro Series) Truck	8 7/8"	2.76 - 3.42	30 Spline	1964-82 ⁽²⁾
	545009	Auburn Ected	8 7/8"	2.76 - 3.42	30 Spline	1964-82 ⁽²⁾
	545011	Auburn Ected	8 7/8"	3.73 & Up	30 Spline	1964-82 ⁽¹⁾
	544801	Auburn Mini-Spool	8 7/8"	All	30 Spline	1964-82
EATON	19587-010	Eaton Limited Slip	8 7/8"	2.76 - 3.42	30 Spline	1961-80 ⁽²⁾
	19556-010	Eaton Limited Slip	8 7/8"	3.73 & Up	30 Spline	1961-80
	RD12	ARB Airlocker	8 7/8"	3.73 & Up	30 Spline	Up to 1982
	92-0788-3005	Powertrax No-Slip Locker	8 7/8"	All	30 Spline	1969-81

When installing a Limited Slip, Posi additive M-19546-A-1 is required.

1) 4 series case

2) 3 series case

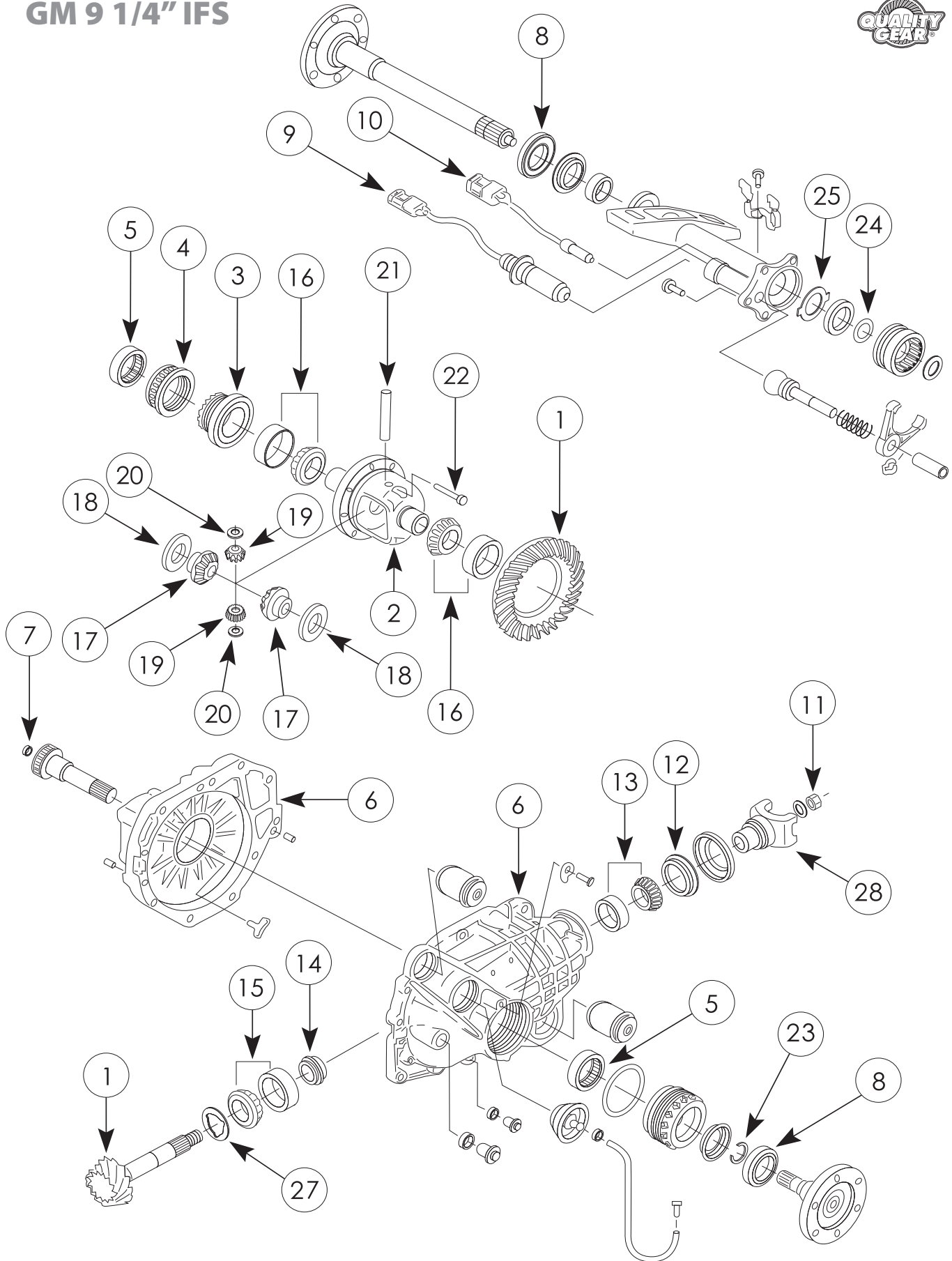
GM 8 7/8" 12 BOLT LOCKING



GM 8 7/8" 12 BOLT LOCKING DIFFERENTIAL - TRUCK

Illust #	Part #	Description	Req
1	-	Case (Loaded, Posi)	1
3	3830672	Screw , Pinion Shaft	1
4	14048409	Bushing , Lockout	1
4	462776	Bushing , Engagement	1
5	NSS	Pin , Stop (Part of #1,12)	1
6	462774	Washer , Pinion Thrust	2
8	15599626	Washer , Side Gear LH (.010)	AR
8	15599627	Washer , Side Gear LH (.015)	AR
8	15599628	Washer , Side Gear LH (.020)	AR
8	15599629	Washer , Side Gear LH (.025)	AR
8	15599630	Washer , Side Gear LH (.030)	AR
8	15599631	Washer , Side Gear LH (.035)	AR
8	15599632	Washer , Side Gear LH (.040)	AR
8	15599633	Washer , Side Gear LH (.045)	AR
9	15599624	Plate Kit , Locking (RH)	1
11	14022124	Thrust Block (Purple 1.329)	1
11	14022125	Thrust Block (Orange 1.338)	1
11	14022126	Thrust Block (Purple 1.341)	1
11	14022127	Thrust Block (Yellow 1.335)	1
12	14022121	Governor Kit , Diff	1
13	12471412	Plate , Cam Diff	1
14	15599624	Plate Kit , (RH)	1
15	15599652	Guide Clip (RH)	1
16	462769	Washer , Side Gear LH (.027)	AR
16	462770	Washer , Side Gear RH (.036)	AR
16	462771	Washer , Side Gear RH (.042)	AR
16	462772	Washer , Side Gear RH (.048)	AR
17	9414849	Retainer , Snap Ring	1
18	NSS	Washer , Plate Wave (Part of #1,14)	1
19	462761	Shaft , Pinion	1
20	462787	Clip , Guide (LH)	1
21	15599681	Side Gear (RH)	1

GM 9 1/4" IFS



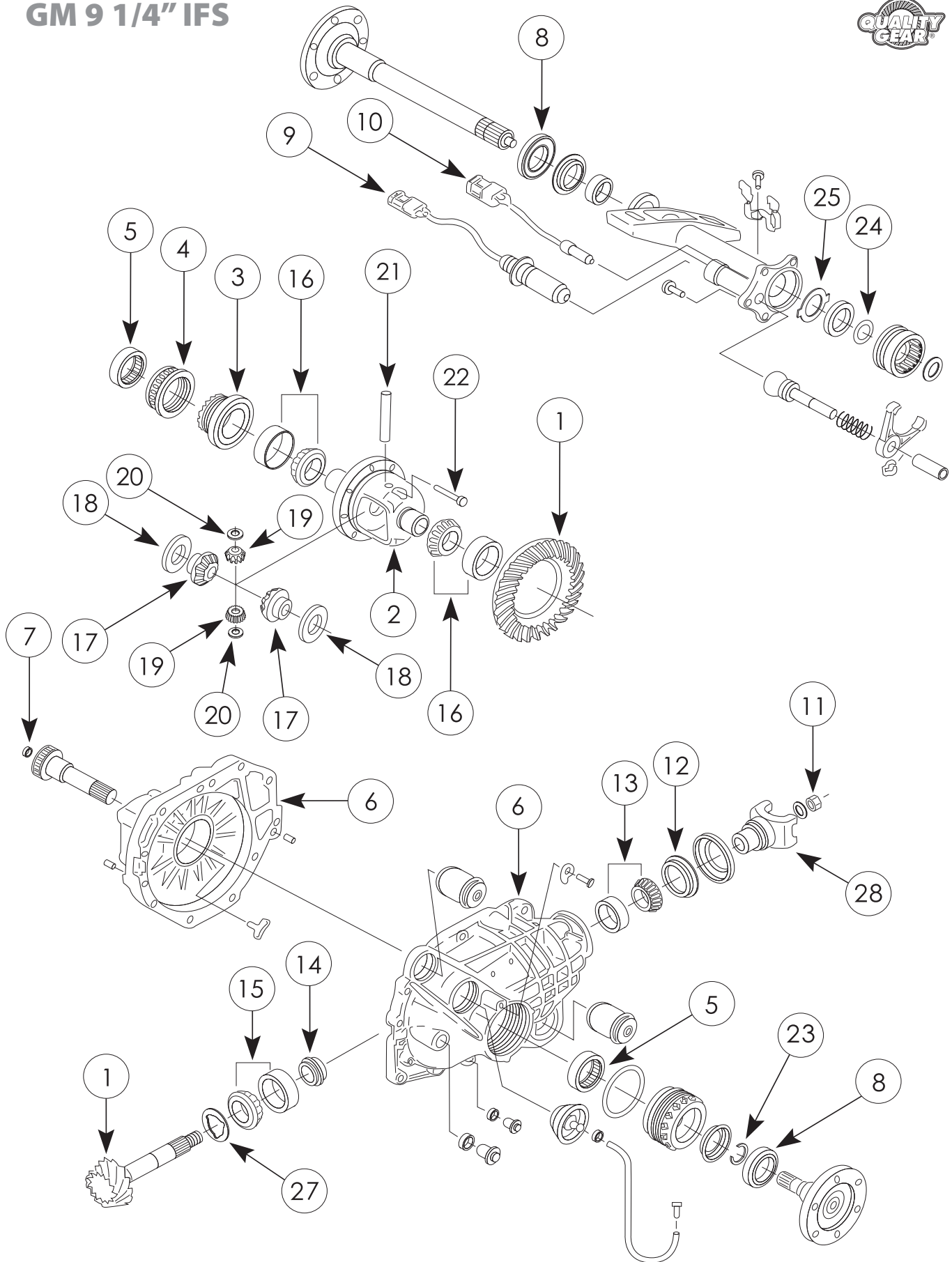
GM 9 1/4" IFS

Crown Diameter	9.25"
Crown Bolts	(12) 12mm x 1.5 LH
Housing Bolts	10
Carrier Breaks	None
Pinion Spline	30, 1.876"

GM 9 1/4" INDEPENDENT FRONT SUSPENSION (1988 & Up)

Illust #	Part #	Description	Req
1	GM9.25-342	Crown & Pinion , 3.42 Ratio, Quality Gear	1
1	GM9.25-373	Crown & Pinion , 3.73 Ratio, Quality Gear	1
1	GM9.25-410	Crown & Pinion , 4.10 Ratio, Quality Gear	1
1	GM9.25-456	Crown & Pinion , 4.56 Ratio, Quality Gear	1
1	GM9.25-488	Crown & Pinion , 4.88 Ratio, Quality Gear	1
1	GM9.25-513	Crown & Pinion , 5.13 Ratio, Quality Gear	1
2	14038087	Case , (Open, Empty)	1
3	15530294	Adjuster , Differential Side Bearing	1
4	15530295	Insert , Adjuster	1
5	B2410	Bearing , Inner Housing	2
6	26058827	Housing , Carrier Aluminum	1
7	BH78	Bearing , Outer Pilot	1
8	16116	Seal , Axle	2
8	12471592	Seal (Unitized) 98+	2
9	26013495	Actuator 1992-1996	1
9	26060073	Actuator 1998-2000	1
10	15693423	Solenoid Assembly 1992-94 Sub/Pickup (auto trans.) 1998-2000 Sub/Tahoe/Pickup	1
10	15582030	Solenoid Assembly 1992-1994 K1500	1
10	15552842	Solenoid Assembly 1992-1994 K2500	1
10	15634402	Solenoid Assembly 1992-1994 K3500, 1995-1996 Pickup	1
10	15731299	Solenoid Assembly 1997 Sub/Tahoe/Pickup	1
12	26064029	Input Seal , 98+	1
27	14038013	Shim Kit	AR
28	31022719	End Yoke , 3R Series	1
23	15521887	Snap Ring LH	1
24	15521878	Retaining Ring LH	1
25	26031702	Thrust Washer	1
NI	12376318	Harness	1

GM 9 1/4" IFS



REM925IFS - MASTER OVERHAUL KIT



Illust #	Part #	Description	Req
5	B2610	Needle Bearing	2
7	B2410	Needle Bearing	1
8	16116	Seal, (710102)	2
11	1260823	Nut Pinion	1
12	19428	Seal, (710281)	1
12	12471590	Seal, Pinion	1
13	HM88610	Bearing, Outer Pinion (Cup)	1
13	HM88649	Bearing, Outer Pinion (Cone)	1
14	14012691	Crush Sleeve	1
15	HM804810	Bearing, Inner Pinion (Cup)	1
15	HM804846	Bearing, Inner Pinion (Cone)	1
16	JLM506811	Bearing, Differential Side (Cup)	1
16	JLM506849A	Bearing, Differential Side (Cup)	1

Shim Kit, Marking Compound, Loctite, Brush included

GM9.5-SPGK - INTERNAL NEST KIT

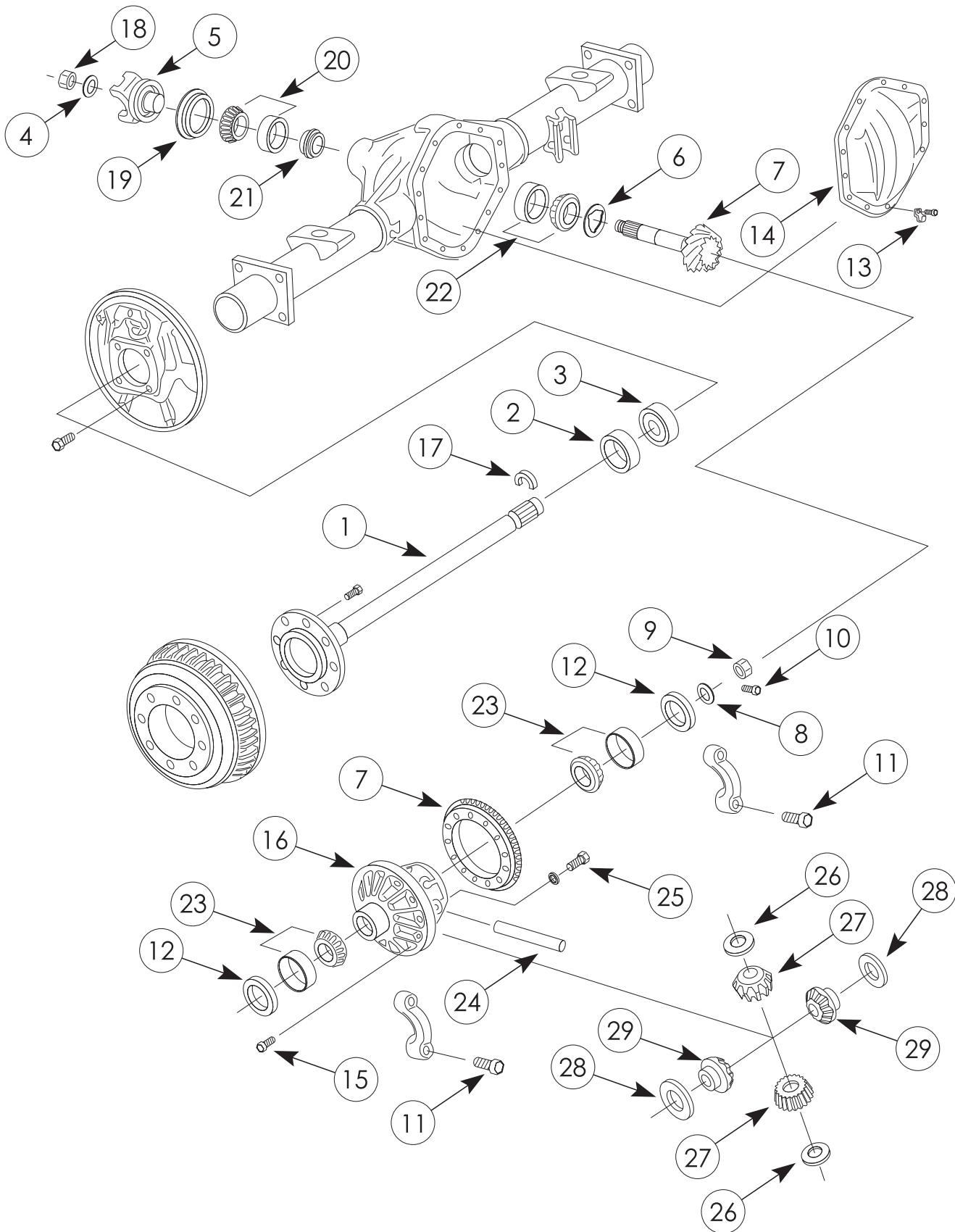
Illust #	Part #	Description	Req
17	14012696	Gear, Side (1st Gen)	2
17	26051485	Gear, Side (2nd Gen)	2
18	12337937	Washer, Side Gear	2
19	14012698	Gear, Pinion (1st Gen)	2
19	26051484	Gear, Pinion (2nd Gen)	2
20	14012699	Washers, Pinion Gear	2
21	14012700	Shaft, Pinion	1
22	12337979	Lockscrew	1

LIMITED SLIPS AND LOCKERS AVAILABLE FOR GM 9 1/4"

Manufacturer	Part #	Description	R.G. Size	Ratios	Spline	Years
	19622-010	E Locker - Electronic Locker	9 1/4"	All	33 Spline	1982 & Up
	RD51	ARB Airlocker	9 1/4"	All	33 Spline	1989 & Up

When installing a Limited Slip, Posi additive M-19546-A-1 is required.

GM 9 1/2" 14 BOLT



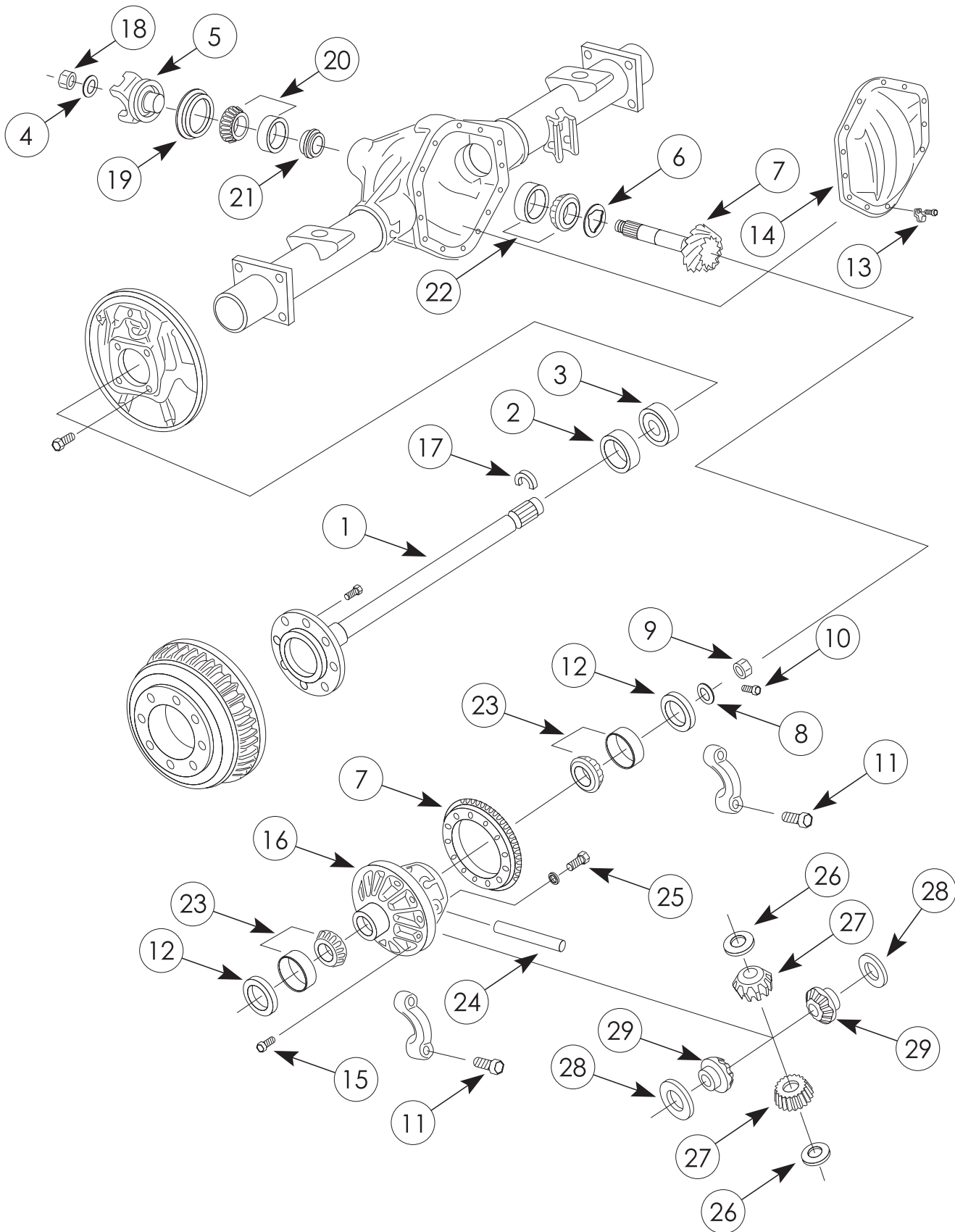
GM 9 1/2"

Crown Diameter	9.5"
Crown Bolts	(12) 12mm x 1.5 mm
Housing Bolts	14
Carrier Breaks	None
Pinion Spline	30, 1.876"

GM 9 1/2" 14 BOLT SEMI FLOAT OPEN DIFFERENTIAL (1981 & UP)

Illust #	Part #	Description	Req
1		Axle Shaft , Refer to Table	
2	17053	Seal , Rear Axle	2
3	R1561TV	Bearing , Rear Axle Wheel	2
4	5086703AA	Washer , Pinion Flange	1
5	26016668	Yoke	1
5	3-4-8691-1X	End Yoke , 1350 Series	1
6	GM9.5MSK	Shim Kit	AR
7	GM9.5-323	Crown & Pinion , 3.23 Ratio, Quality Gear	1
7	GM9.5-342	Crown & Pinion , 3.42 Ratio, Quality Gear	1
7	GM9.5-373	Crown & Pinion , 3.73 Ratio, Quality Gear	1
7	GM9.5-410	Crown & Pinion , 4.10 Ratio, Quality Gear	1
7	GM9.5-456	Crown & Pinion , 4.56 Ratio, Quality Gear	1
7	GM9.5-488	Crown & Pinion , 4.88 Ratio, Quality Gear	1
8	14012707	Lock , Differential Bearing Adj	1
9	14012753	Nut , Differential Bearing Adjuster	1
10	11513703	Bolt , Adjuster Lock	1
11	14012675	Bolt , Differential Bearing Cap	4
13	11513703	Bolt , Differential Carrier Cover	14
14	26067253	Cover , Differential Carrier	1
15	14012703	Bolt , Crown	12
16	14038087	Case , Differential (Open, Empty)	1
17	14012746	C-Clip	2

GM 9 1/2" 14 BOLT



R1495 - MASTER REBUILD KIT

Illust #	Part #	Description	Qty
18	1260823	Nut , Pinion	1
19	19314	Seal , Pinion '81+up	1
19	26064029	Seal , Pinion 1500 Chev '98+up	1
20	HM88610	Bearing , Outer Pinion (Cup)	1
20	HM88649	Bearing , Outer Pinion (Cone)	1
21	14012691	Crush Sleeve	1
22	HM804810	Bearing , Inner Pinion (Cup)	1
22	HM804846	Bearing , Inner Pinion (Cone)	1
23	JLM506811	Bearing , Diff Side (Cup)	2
23	JLM506849A	Bearing , Diff Side (Cone)	2

Shim Set, Sealant, Marking Compound, Loctite, Brush & Gasket included.

GM9.5-SPGK - INTERNAL NEST KIT

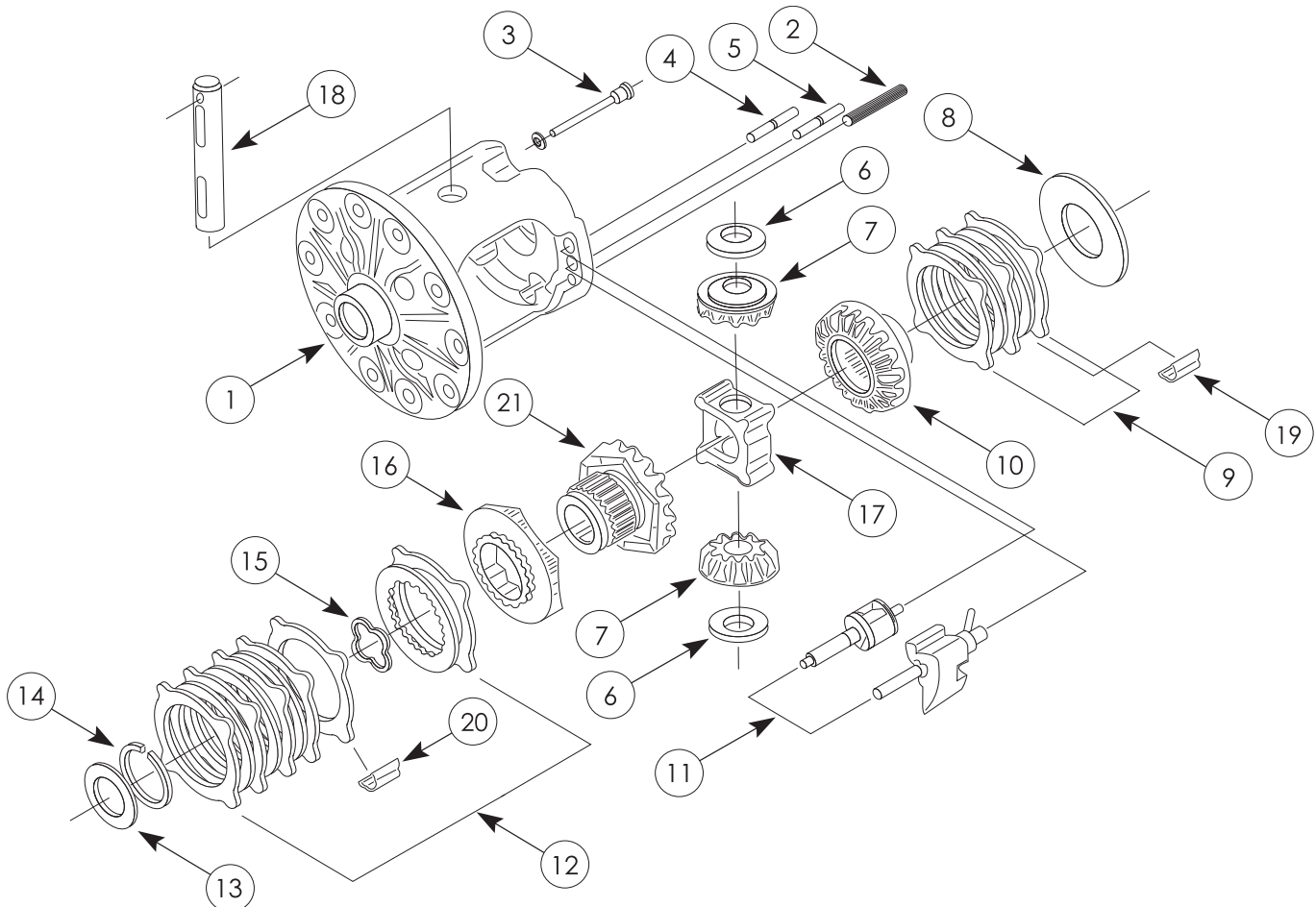
Illust #	Part #	Description	Qty
24	14012700	Shaft , Pinion	1
25	12337979	Lockscrew	1
26	14012699	Washer , Pinion Gear	2
27	14012698	Gear , Pinion (1st Gen)	2
27	26051484	Gear , Pinion (2nd Gen)	2
28	12337937	Washer , Side Gear	2
29	14012696	Gear , Side (1st Gen)	2
29	26051485	Gear , Side (2nd Gen)	2

LIMITED SLIPS AND LOCKERS AVAILABLE FOR GM 9 1/2" 14 BOLT

Manufacturer	Part #	Description	R.G. Size	Ratios	Spline	Years
<i>Detroit Locker</i>	225C135A	Detroit Locker (C-Clip)	9 1/2"	2.71 - 4.56	33 Spline	1988 & Up
<i>Detroit Truetrac</i>	914A538	Truetrac	9 1/2"	All	33 Spline	1981 & Up
 Auburn Gear	542087	Auburn Limited Slip (Street Series)	9 1/2"	All	33 Spline	1984 & Up
 EATON	19684-010	E locker - Electronic Locker	9 1/2"	3.23 & Up	33 Spline	1982 & Up
	19590-010	Eaton Limited Slip	9 1/2"	3.23 & Up	33 Spline	1982 & Up
 ARB AIR LOCKER	RD40	ARB Airlocker	9 1/2"	All	33 Spline	1982 & Up
 LOCK RIGHT	1950	Lock-Right Locker	9 1/2"	All	33 Spline	1982 - 95

When installing a Limited Slip, Posi additive M-19546-A-1 is required.

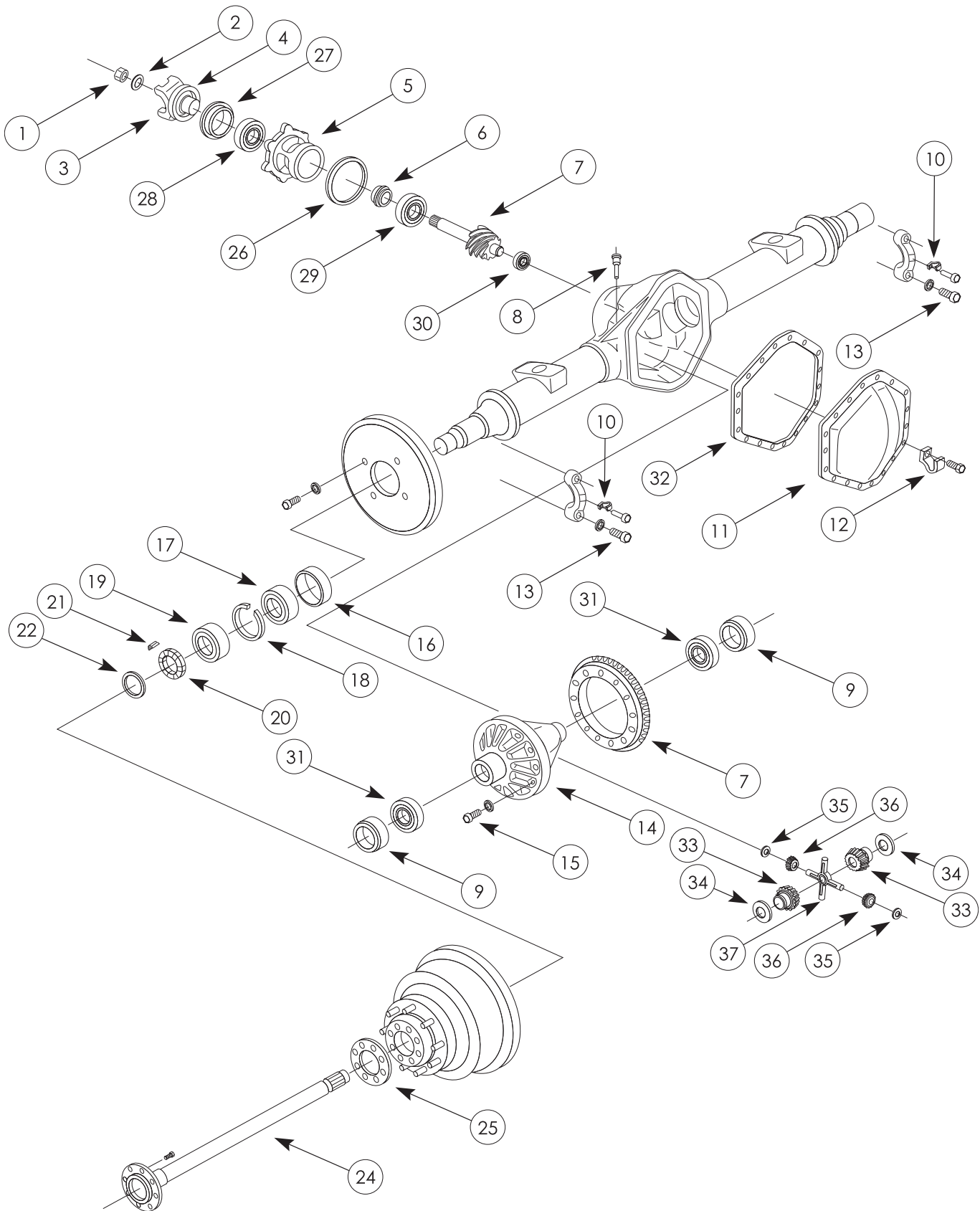
GM 9 1/2" 14 BOLT LOCKING



GM 9 1/2" 14 BOLT SEMI FLOAT OPEN DIFFERENTIAL (1981 & UP)

Illust #	Part #	Description	Req
1	12471387	Case , Differential (Loaded, Posi)	1
2	NSS	Pin , Gov Stop (Part of #1,11)	1
3	14039027	Lockscrew	1
4	462776	Bushing , Differential Engagement	1
5	14048409	Bushing , Differential Lockout	1
6	14039026	Washer , Pinion	2
7	14012698	Gear , Pinion	2
8	15599626	Washer , Side Gear LH (.010)	AR
8	15599627	Washer , Side Gear LH (.015)	AR
8	15599628	Washer , Side Gear LH (.020)	AR
8	15599629	Washer , Side Gear LH (.025)	AR
8	15599630	Washer , Side Gear LH (.030)	AR
8	15599631	Washer , Side Gear LH (.035)	AR
8	15599632	Washer , Side Gear LH (.040)	AR
8	15599633	Washer , Side Gear LH (.045)	AR
9	15599624	Plate Kit , Locking, LH (Includes #19)	1
10	15599647	Gear , Splined Side (LH)	1
11	14022121	Governor Kit , Differential (Includes #2)	1
12	26005079	Plate Kit , Locking, LH	1
13	14039035	Washer , Side Gear LH (.022)	AR
13	462769	Washer , Side Gear LH (.027)	AR
13	14039036	Washer , Side Gear LH (.032)	AR
13	462770	Washer , Side Gear RH (.037)	AR
13	14039037	Washer , Side Gear LH (.040)	AR
13	462771	Washer , Side Gear RH (.042)	AR
13	14039038	Washer , Side Gear LH (.044)	AR
13	462772	Washer , Side Gear RH (.048)	AR
13	14039039	Washer , Side Gear LH (.052)	AR
14	462786	Sleeve , Diff Side Thrust	1
15	NSS	Washer , Wave (Part of #12)	1
16	12471412	Cam , Plate Diff	1
17	14039029	Block , Thrust (1.598" Thick)	1
17	15599672	Block , Thrust (1.602" Thick)	1
17	15599673	Block , Thrust (1.606" Thick)	1
17	14039031	Block , Thrust (1.610" Thick)	1
17	15599675	Block , Thrust (1.614" Thick)	1
17	15599676	Block , Thrust (1.618" Thick)	1
17	14039033	Block , Thrust (1.622" Thick)	1
17	15599679	Block , Thrust (1.626" Thick)	1
17	15599680	Block , Thrust (1.630" Thick)	1
18	14039025	Shaft , Pinion	1
19	462787	Clip Guide , RH	1
20	15599623	Clip Guide , LH	1
21	15599648	Gear , Side Cam, LH	1
NI	M-19546-A-1	Posi Additive	1

GM 10 1/2" 14 BOLT



GM 10 1/2"

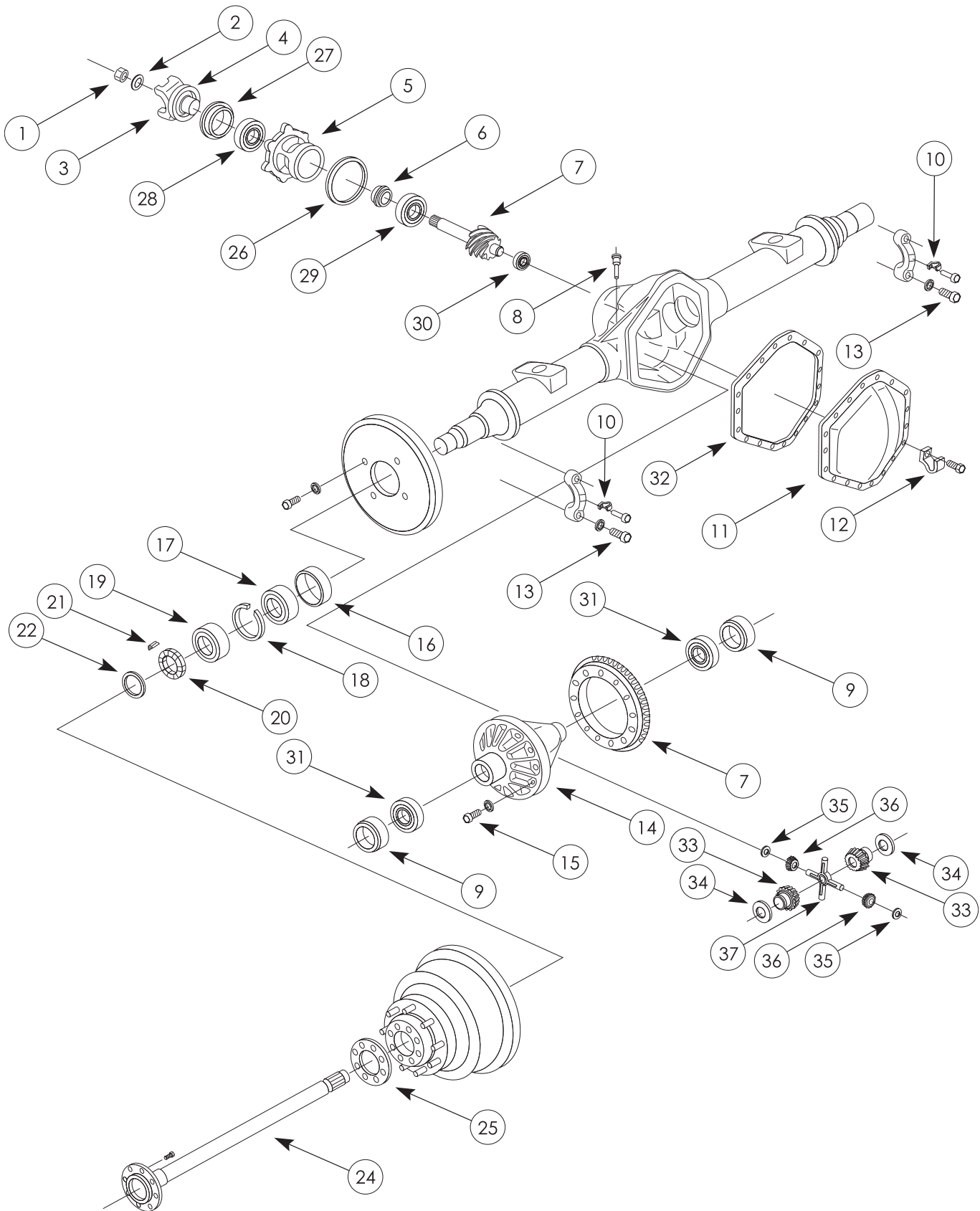
Crown Diameter	10.5"
Crown Bolts	(12) 12mm x 20 RH
Housing Bolts	14
Carrier Breaks	4.10/4.56
Pinion Spline	30, 1.750"

GM 10 1/2" 14 BOLT REAR DIFFERENTIAL

Illust #	Part #	Description	Req
1	15994582	Nut , Pinion	1
2	3977360	Washer , Pinion	1
3	12470386	Yoke (Includes #4)	1
4	3977358	Deflector	1
5	26011285	Retainer , Pinion Cage	1
6	3977355	Crush Sleeve (1973-87)	1
6	26008741	Crush Sleeve (1988 & Up)	1
7	GM14-321	Crown & Pinion , 3.21 Ratio, Quality Gear	1
7	GM14-342	Crown & Pinion , 3.42 Ratio, Quality Gear	1
7	GM14-373	Crown & Pinion , 3.73 Ratio, Quality Gear	1
7	GM14-410	Crown & Pinion , 4.10 Ratio, Quality Gear	1
7	GM14-456	Crown & Pinion , 4.56 Ratio, Quality Gear	1
7	GM14-456X	Crown & Pinion , 4.56 Ratio, Quality Gear (Thick Gear)	1
7	GM14-488	Crown & Pinion , 4.88 Ratio, Quality Gear	1
7	GM14-488X	Crown & Pinion , 4.88 Ratio, Quality Gear (Thick Gear)	1
7	GM14-513	Crown & Pinion , 5.13 Ratio, Quality Gear	1
7	GM10-513X	Crown & Pinion , 5.13 Ratio, Quality Gear (Thick Gear)	1
8	14056297	Connector , Rear Axle Vent Hose	1
9	26057101	Nut , Diff Bearing Adjuster	2
10	3977326	Lock , Diff Adjuster Nut	2
11	26067040	Cover , Diff Carrier	1
12	331416	Clip	1
13	3977453	Bolt , Diff Carrier Bearing Cap	2
14	6258336	Case , Diff (4.10 Ratio & Below)(Non-Posi)	4
14	6258340	Case , Diff (4.56 Ratio & Up)(Non-Posi)*	1
15	331422	Bolt , Crown (4.10 & Dn) w/o Shoulder	12
15	331421	Bolt , Crown (4.56 & Up) w/o Shoulder	12
16	28425	Seal , Rear Wheel Hub Inner Bearing	2
17	382A	Bearing , Rear Wheel Hub Inner (Cup)	2
17	387AS	Bearing , Rear Wheel Hub Inner (Cone)	2
18	15702309	Ring , Rear Wheel Hub Bearing Retainer	2
19	LM104911	Bearing , Rear Wheel Hub Outer (Cup)	2
19	LM104949	Bearing , Rear Wheel Hub Outer (Cone)	2
20	341509	Nut , Rear Wheel Hub Adjuster	2
21	341510	Key , Rear Wheel Hub Adjuster Nut	2
22	341511	Retainer , Rear Wheel Hub Adjuster Nut Key	2
24		Axle Refer to Table	
25	12471641	Gasket , Rear Wheel Hub	2
26	334362-334380	Shims (.006 - .024 available)	AR

* Must sell 225S10 to be complete

GM 10 1/2" 14 BOLT



RA14 - MASTER REBUILD KIT (UP TO 1988)

Illust #	Part #	Description	Qty
1	644536	Nut , Pinion	1
2	3977360	Washer , Pinion	1
6	3977355	Crush Sleeve	1
27	21955	Seal , Front Pinion	1
28	M802011	Bearing , Pinion Outer (Cup)	1
28	M802048	Bearing , Pinion Outer (Cone)	1
29	HM803110	Bearing , Pinion Inner (Cup)	1
29	HM803149	Bearing , Pinion Inner (Cone)	1
30	R1581TV	Bearing , Pilot	1
31	382A	Bearing , Diff Side (Cup)	2
31	387AS	Bearing , Diff Side (Cone)	2
32	26067159	Gasket , Cover	1

Shim Set, Marking Compound, Loctite, Brush included

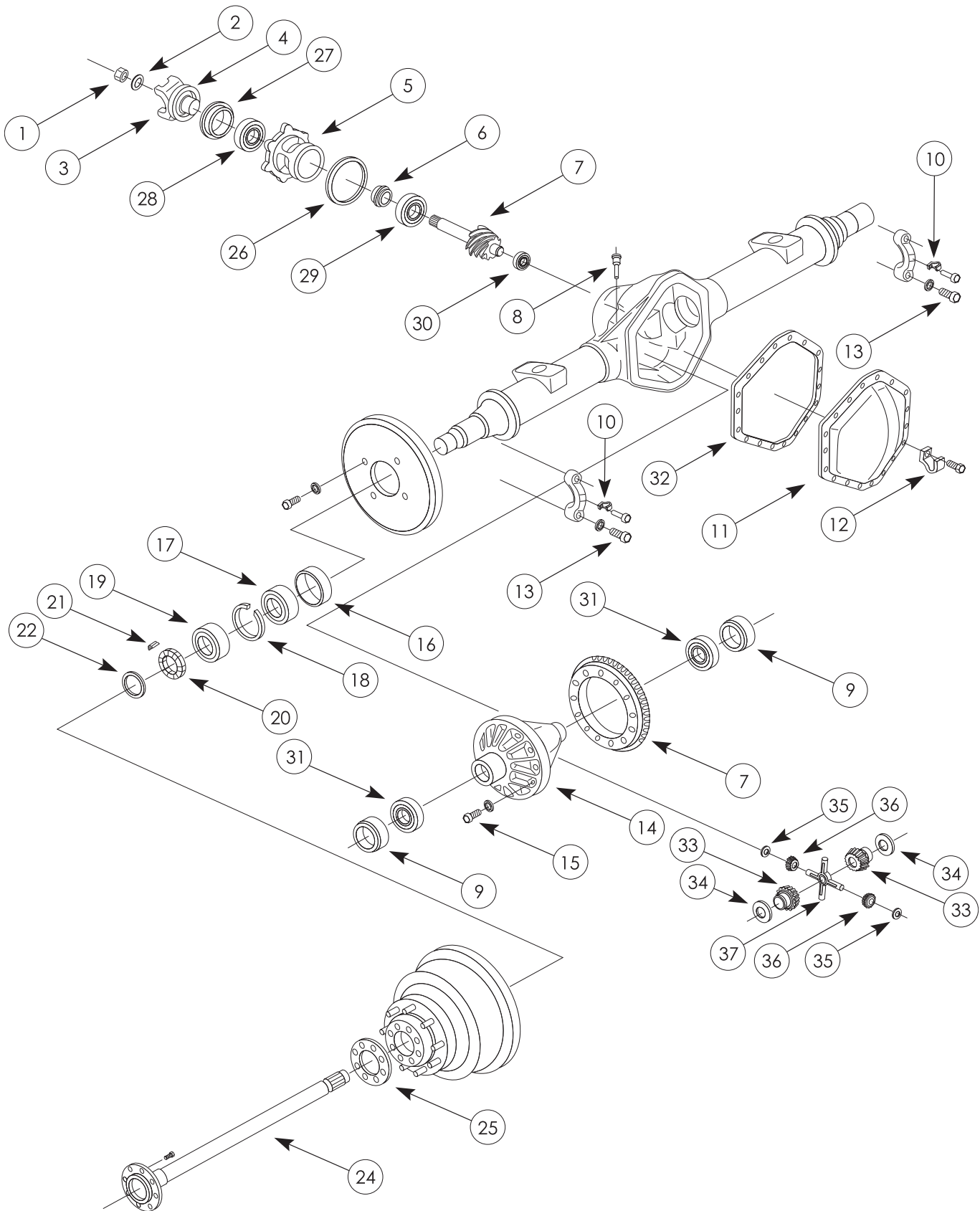
R14A - MASTER REBUILD KIT (1988&UP)

Illust #	Part #	Description	Qty
1	644536	Nut , Pinion	1
2	3977360	Washer , Pinion	1
6	26008741	Crush Sleeve	1
27	21955*	Seal , Front Pinion	1
28	M802011	Bearing , Pinion Outer (Cup)	1
28	M802048	Bearing , Pinion Outer (Cone)	1
29	HM903210	Bearing , Pinion Inner (Cup)	1
29	HM903249	Bearing , Pinion Inner (Cone)	1
30	R1581TV	Bearing , Pilot	1
31	382A	Bearing , Diff Side (Cup)	2
31	387AS	Bearing , Diff Side (Cone)	2
32	26067159	Gasket	1

*'98 and Up use 26064030

Shim Set, Marking Compound, Loctite, Brush included






GM 10 1/2" 14 BOLT



GM14-SPGK - INTERNAL NEST KIT (30 SPLINE)

Illust #	Part #	Description	Qty
33	3977344	Gear , Side (26051487 Webbed)	2
34	3977345	Washer , Side Gear	2
35	3977346	Washer , Pinion Thrust	4
36	3993448	Gear , Pinion (26051486 Webbed)	4
37	3663696	Spider	1

LIMITED SLIPS AND LOCKERS AVAILABLE FOR GM 10 1/2" 14 BOLT

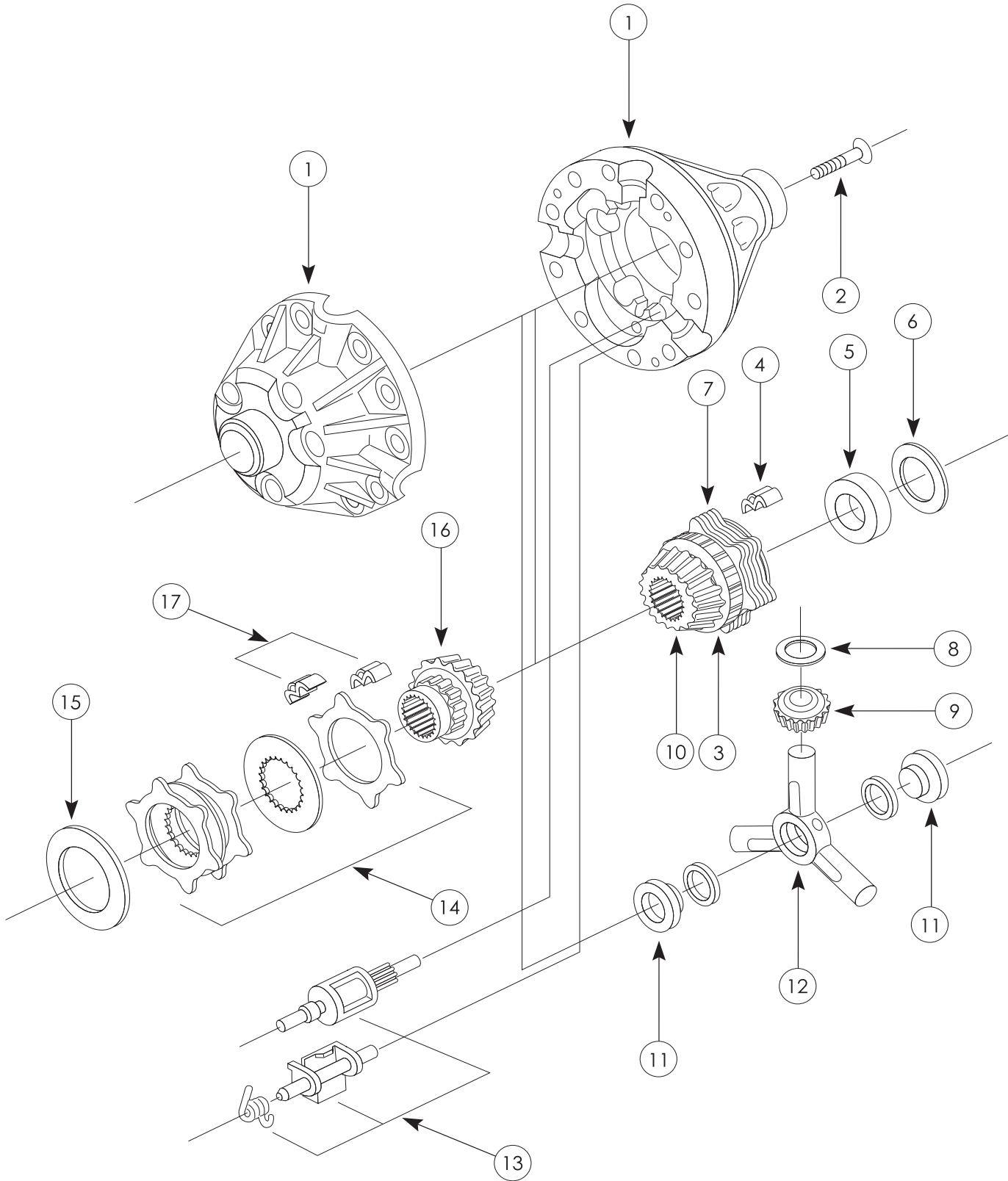
Manufacturer	Part #	Description	R.G. Size	Ratios	Spline	Years
	225S10*	Detroit Locker	10 1/2"	All	30 Spline	1973 & Up
	915A545	Truetrac	10 1/2"	4.10 & Down	30 Spline	1973 & Up
	915A547	Truetrac	10 1/2"	4.56 & Up	30 Spline	1973 & Up
	19610-010	Eaton Limited Slip	10 1/2"	4.56 & Up	30 Spline	1973 & Up
	19689-010	Eaton Limited Slip	10 1/2"	4.10 & Down	30 Spline	1973 & UP
	RD114	ARB Airlocker	10 1/2"	All**	30 Spline	1973 & Up
	1955	Lock-Right Locker	10 1/2"	All	30 Spline	1973 & Up

When installing a Limited Slip, Posi additive M-19546-A-1 is required.

* 225S10 differential replaces the conventional differential internals used in certain 1973 - 1988 GM Axles. If it is to be installed in a GM axle equipped with an optional Eaton Locker, you must purchase a new gear support case assembly, GM #6258336 or #6258340, depending on gear ratio.

** 4.56 and Up Ratios must use "thick" type high offset gear set

GM 10 1/2" 14 BOLT LOCKER



GM 10 1/2" 14 BOLT LOCKER

Illust #	Part #	Description	Req
1	12479061	Case, Diff (Loaded, Posi)(4.10 & Down)	1
1	12479062	Case, Diff (Loaded, Posi)(W/4.56 & 5.13 Ratio)	1
2	NSS	Screw (Part of #1)	10
3	462780	Plate, Cam	1
4	15599623	Clip, Guide, LH	1
5	462786	Sleeve, Thrust	1
6	462769	Washer, Side Gear Thrust RH (.027)	AR
6	462770	Washer, Side Gear Thrust RH (.037)	AR
6	462771	Washer, Side Gear Thrust RH (.042)	AR
6	462772	Washer, Side Gear Thrust RH (.048)	AR
6	14039036	Washer, Side Gear Thrust LH (.032)	AR
6	14039037	Washer, Side Gear Thrust LH (.040)	AR
6	14039038	Washer, Side Gear Thrust LH (.044)	AR
7	462778	Plate Kit, Diff Lock, RH (Includes #4)	1
8	3957940	Washer, Pinion Gear (1st Design, Will fit part #3995843 only) (1)	3
8	14039026	Washer, Pinion Gear (2nd Design, Will fit part #14039024 only) (2)	3
9	26043814	Gear, Pinion (1st Design, Meshes with the 17 tooth side gear) (1)	3
9	14039024	Gear, Pinion (2nd Design, Meshes with the 15 tooth side gear) (2)	3
10	15599649	Gear, Side (RH) (1st Design, 17 teeth, 1990 & Down) (1)	1
10	26015731	Gear, Side (RH) (2nd Design, 15 teeth, 1990 & Up) (2)	1
11	462782	Block, Reaction (.675)	1
11	462783	Block, Reaction (.672)	1
11	462784	Block, Reaction (.669)	1
11	462785	Block, Reaction (.666)	1
12	462779	Spider, (1st Design, For use with 17 tooth design only) (1)	1
12	26015733	Spider, (2nd Design, For use with 15 tooth design only) (2)	1
13	14022135	Governor Kit, Diff	1
14	15599651	Plate Kit, Diff Lock (LH) (Includes #17)	1
15	15599626	Washer, Side Gear LH (.010)	1
15	15599627	Washer, Side Gear LH (.015)	1
15	15599628	Washer, Side Gear LH (.020)	1
15	15599629	Washer, Side Gear LH (.025)	1
15	15599630	Washer, Side Gear LH (.030)	1
15	15599631	Washer, Side Gear LH (.035)	1
15	15599632	Washer, Side Gear LH (.040)	1
15	15599633	Washer, Side Gear LH (.045)	1
16	15599650	Gear, Side (LH) (1st Design, 17 teeth, 1990 & Down) (1)	1
16	26015732	Gear, Side (LH) (2nd Design, 15 teeth, 1990 & Up) (2)	1
17	462787	Clip, Guide (LH)	1
NI	M-19546-A-1	Posi Additive	1

26045814 INTERNAL NEST KIT (17 TOOTH) UP TO 1990

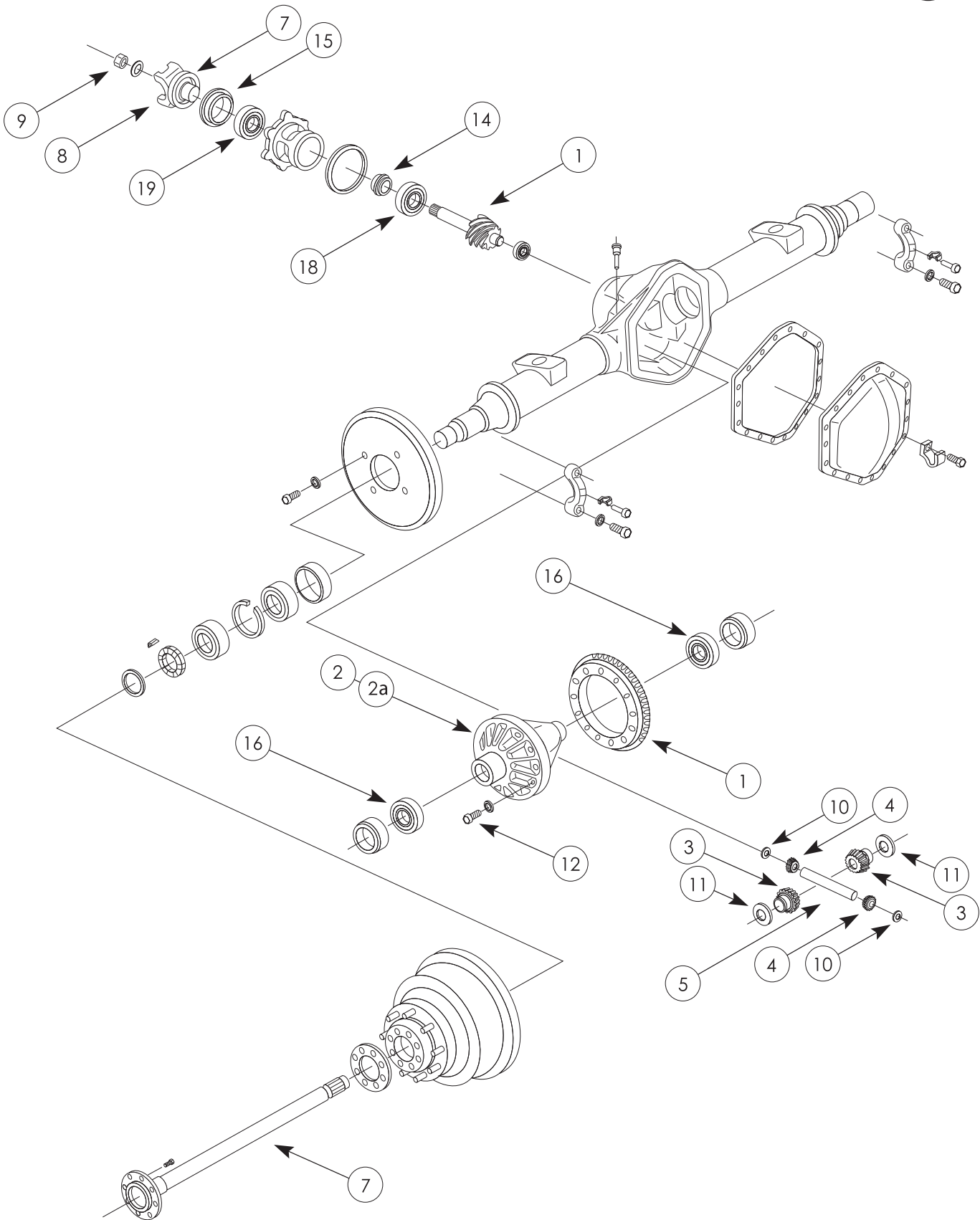
Illust	Part #	Description	Req
10	15599649	Gear, Side (RH) (17 teeth)	1
16	15599650	Gear, Side (LH) (17 teeth)	1
9	26043814	Gear, Pinion	3

FOOTNOTES

- (1) These are part of the 1st generation design (17 tooth side gears). Applies to applications up to 1990. 1990 applications may have either a 1st or 2nd generation design. Cannot mix 1st & 2nd generation part numbers together.
- (2) These are part of the 2nd generation design (15 tooth side gears). Applies to applications 1990 & up. 1990 applications may have either a 1st or 2nd generation design. Cannot mix 1st & 2nd generation part numbers together.



GM 11.5" 14 BOLT



GM 11 1/2"

Crown Diameter	11.5"
Crown Bolts	(12) 9/16" x 18 RH
Housing Bolts	14
Carrier Breaks	4.10/4.63
Pinion Spline	30, 2.005"

GM 11.5" 14 BOLT REAR DIFFERENTIAL

Illust #	Part #	Description	Req
1	GM11.5-373	Crown & Pinion , 3.73 Ratio, Quality Gear	1
1	GM11.5-410	Crown & Pinion , 4.10 Ratio, Quality Gear	1
1	GM11.5-463	Crown & Pinion , 4.63 Ratio, Quality Gear	1
1	GM11.5-488	Crown & Pinion , 4.88 Ratio, Quality Gear	1
1	GM11.5-513	Crown & Pinion , 5.13 Ratio, Quality Gear	1
2	40000278	Empty Diff Case	1
2a	5086962AA	Loaded Posi Case	1
3	26062829	Side Gear	2
4	26062828	Pinion Gear	2
5	40007448	Cross Shaft	1
7		Axle Shaft refer to axle table	
NI	40001429	Cross Shaft Lock Pin	1
9	40003027	Pinion Nut	1
10	40002212	Pinion Gear Washer	2
11	40002211	Side Gear Washer	2

R1150 MASTER REBUILD KIT

Illust #	Part #	Description	Req
14	12471647	Crush Sleeve	1
15	26064030	Pinion Seal	1
16	3920	Diff Side Bearing (Cup)	2
16	3984	Diff Side Bearing (Cone)	2
18	HM807010	Inner Pinion Bearing (Cup)	1
18	HM807046	Inner Pinion Bearing (Cone)	1
19	M802011	Outer Pinion Bearing (Cup)	1
19	M802048	Outer Pinion Bearing (Cone)	1

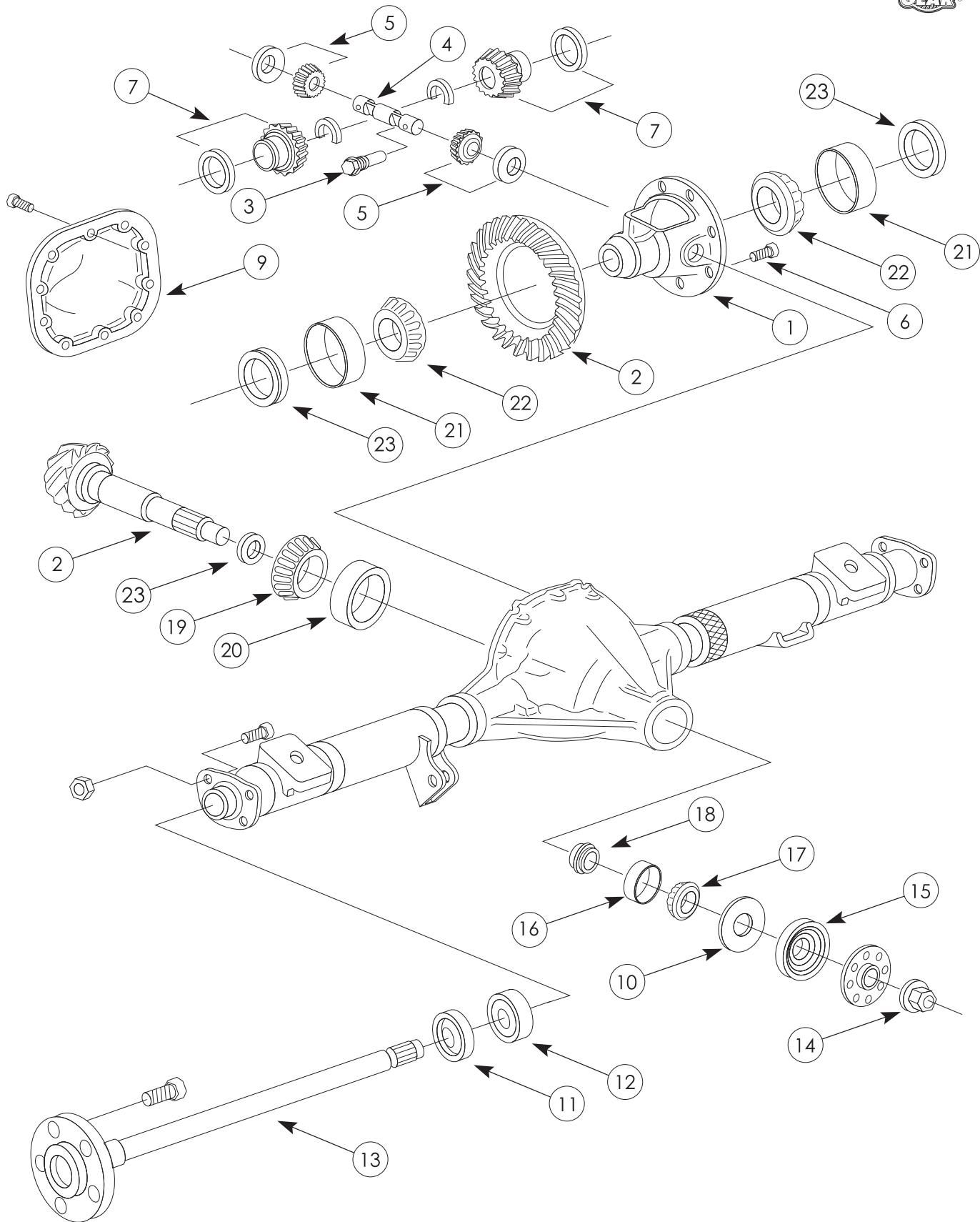
Note: Use R1150 Kit Crush Sleeve for 2001+ GM 11.5

GM11.5 - SPGK - INTERNAL NEST KIT

Illust #	Part #	Description	Req
3	26062829	Side Gear	2
4	26062828	Pinion Gear	2
5	40007448	Cross Shaft	1
NI	40001429	Cross Shaft Lock Pin	1
10	40002212	Pinion Gear Washer	2
11	40002211	Side Gear Washer	2



FORD 7 1/2"



FORD 7 1/2"

Crown Diameter	7.5"
Crown Bolts	(10) 7/16" x 20 RH
Housing Bolts	10
Carrier Breaks	None
Pinion Spline	28, 1.625"

FORD 7 1/2" DIFFERENTIAL

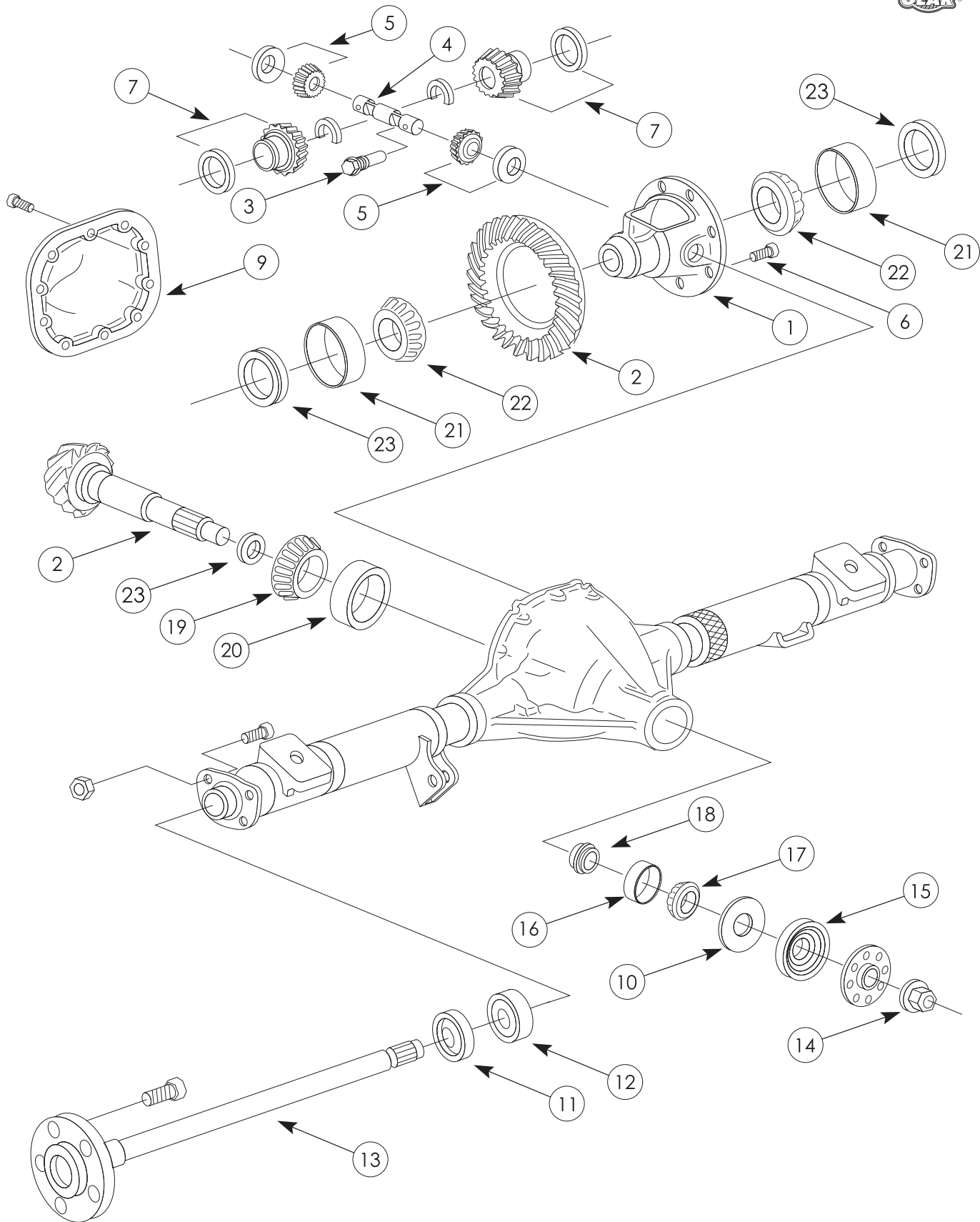
Illust #	Part #	Description	Req
1	E7TZ 4204 B	Case Assembly (Locking)(Fits WFC, WFM & 87/WFJ Axle)	1
1	E4DZ 4204 B	Case Assembly (Locking)(Fits 1986 WFJ Axle)	1
1	E7TZ 4204 A	Case Assembly (Non-Locking)(Fits WAC, WAA Axle)	1
2	F7.5-308	Crown & Pinion , 3.08 Ratio, Quality Gear	1
2	F7.5-345	Crown & Pinion , 3.45 Ratio, Quality Gear	1
2	F7.5-373	Crown & Pinion , 3.73 Ratio, Quality Gear	1
2	F7.5-410	Crown & Pinion , 4.10 Ratio, Quality Gear	1
2	F7.5-456	Crown & Pinion , 4.56 Ratio, Quality Gear	1
3	14056196	Pinion Shaft Lock Pin	1
4	D8BZ 4211 A	Pinion Shaft (Non Locking)	1
4	E4SZ 4211 A	Pinion Shaft (Locking)	1
5	E4DZ 4215 A	Pinion Gear Kit	1
6	D5AZ 4216 A	Ring Gear Bolts (7/16"-20x3/4)	10
7	E9SZ 4236 D	Side Gear Kit (2 Gears/2 Washers)(WAA, WAC, Non-Lock)	1
9	M-4033-A304	Chrome Differential Cover (Ford Motorsports)	1
10	D5AZ 4670 A	Slinger	1
11	8660S	Seal , Axle	2
12	5707	Bearing , Axle	2
13		Axle Shaft Refer to Table	
23	GM10MSK	Master Shim Kit	1
NI	F5ZZ 4947 BA	Clutch Pack (Locking)	2
NI	E9TZ 4309 A	ABS Ring	1

R75 - MASTER REBUILD KIT

Illust #	Part #	Description	Req
14	181086 (96386)	Nut , Pinion	1
15	18190	Seal , Pinion	1
16	M88010	Bearing , Outer Pinion (Cup)	1
17	M88048	Bearing , Outer Pinion (Cone)	1
18	B7A 4662 A	Crush Sleeve	1
19	M802011	Bearing , Inner Pinion (Cup)	1
20	M802048	Bearing , Inner Pinion (Cone)	1
21	LM501314	Bearing , Diff Side, (Cup)	2
22	LM501349	Bearing , Diff Side, (Cone)	2
NI	NSS	Gasket	1
NI	NSS	Shim Kit	1

Marking Compound, Loctite, Brush Included

FORD 7 1/2"



F7.5-SPGK - INTERNAL NEST KIT 28SPL

Illust #	Part #	Description	Qty
3	14056196	Lockscrew	1
4	D8BZ 4211 A	Cross Shaft	1
5	E4DZ 4215 A	Pinion Gear Kit (2xGear, 2xWasher)	1
7	E9SZ 4236 D	Side Gear (Locking)	2
7	NSS	Side Gear Washer	2

YL5Z 4215 CA - INTERNAL NEST KIT 28SPL LOCKING

Illust #	Part #	Description	Qty
3	14056196	Lockscrew	1
5	E4DZ 4215 A	Pinion Gear Kit (2xGear, 2xWasher)	1
7	E9SZ 4236 D	Side Gear (Locking) (2xGear)	2

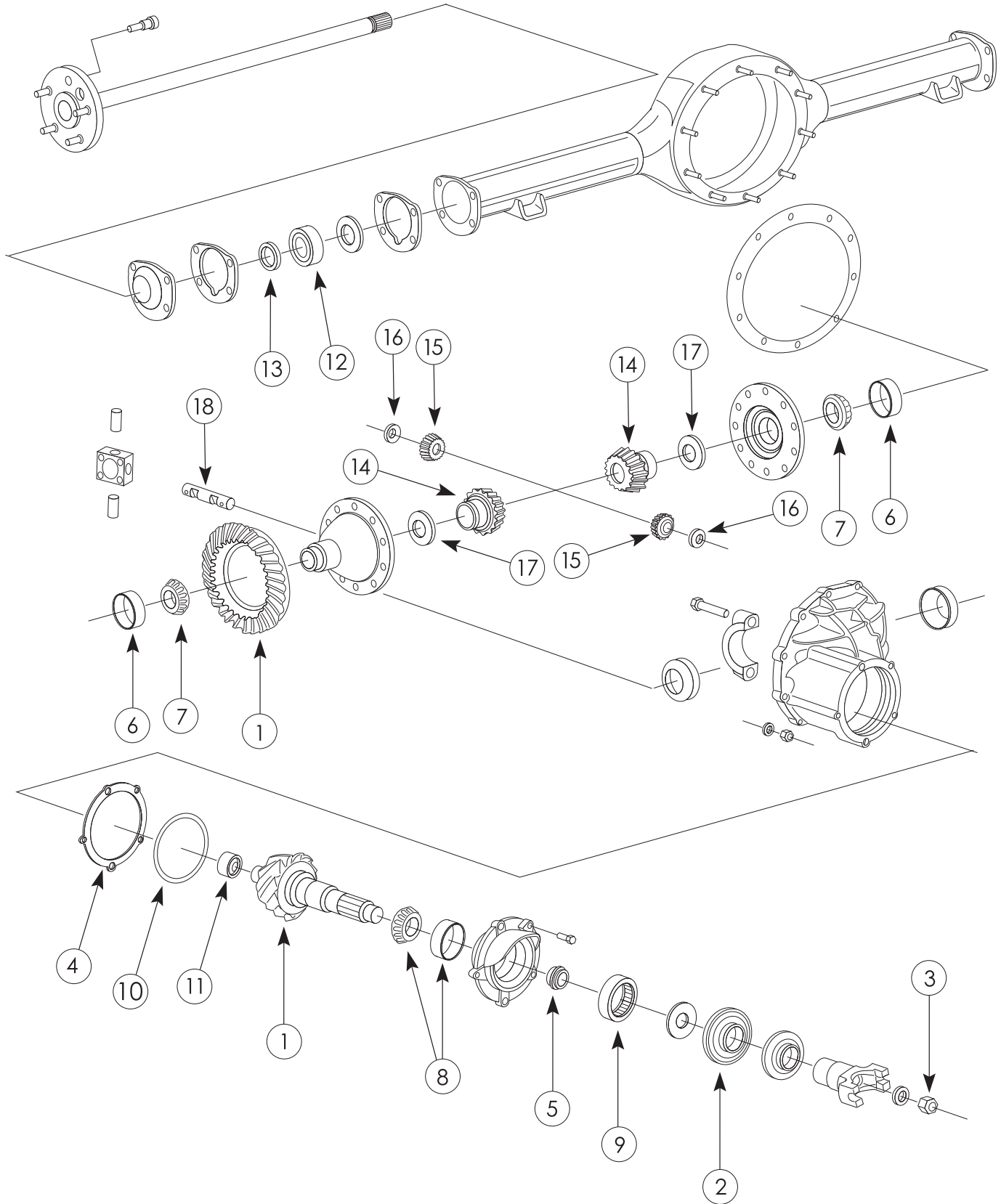
LIMITED SLIPS AND LOCKERS AVAILABLE FOR FORD 7 1/2"

Manufacturer	Part #	Description	R.G. Size	Ratios	Spline	Years
	162C57A	Detroit Locker	7 1/2"	4.56 & Dn	28 Spline	All
	912A316	Truetrac	7 1/2"	All	28 Spline	1983 & Up
	542048	Auburn Gear Limited Slip (Pro Series)	7 1/2"	All	28 Spline	1978 & Up
	542023	Auburn Gear Limited Slip (Street Series)	7 1/2"	All	28 Spline	1978 & Up
	1830	Lock-Right Locker	7 1/2"	All	28 Spline	1978 & Up
	M-4204-C75	Ford SVO Track Lock	7 1/2"	All	28 Spline	1978 & Up

When installing a Limited Slip, Posi additive M-19546-A-1 is required.



FORD 8"



FORD 8"

Crown Diameter	8"
Crown Bolts	(10) 7/16" x 20 RH
Housing Bolts	10
Carrier Breaks	None
Pinion Spline	28, 1.188"

FORD 8" - CAR

Illust #	Part #	Description	Qty
1	F8-280	Crown & Pinion , 2.80 Ratio, Quality Gear	1
1	F8-300	Crown & Pinion , 3.00 Ratio, 39/13T, Quality Gear	1
1	F8-325	Crown & Pinion , 3.25 Ratio, Quality Gear	1
1	F8-355	Crown & Pinion , 3.55 Ratio, 39/11T, Quality Gear	1
1	F8-380	Crown & Pinion , 3.80 Ratio, 38/10T, Quality Gear	1
1	F8-411	Crown & Pinion , 4.11 Ratio, 37/9T, Quality Gear	1
1	F8-462	Crown & Pinion , 4.62 Ratio, 37/8T, Quality Gear	1
1	F8-543	Crown & Pinion , 5.43 Ratio, 38/7T, Quality Gear	1
11	R1558TAV	Pilot Bearing	1
12	RW207CCRA	Axle Bearing	2
13	13985CR	Axle Seal	2

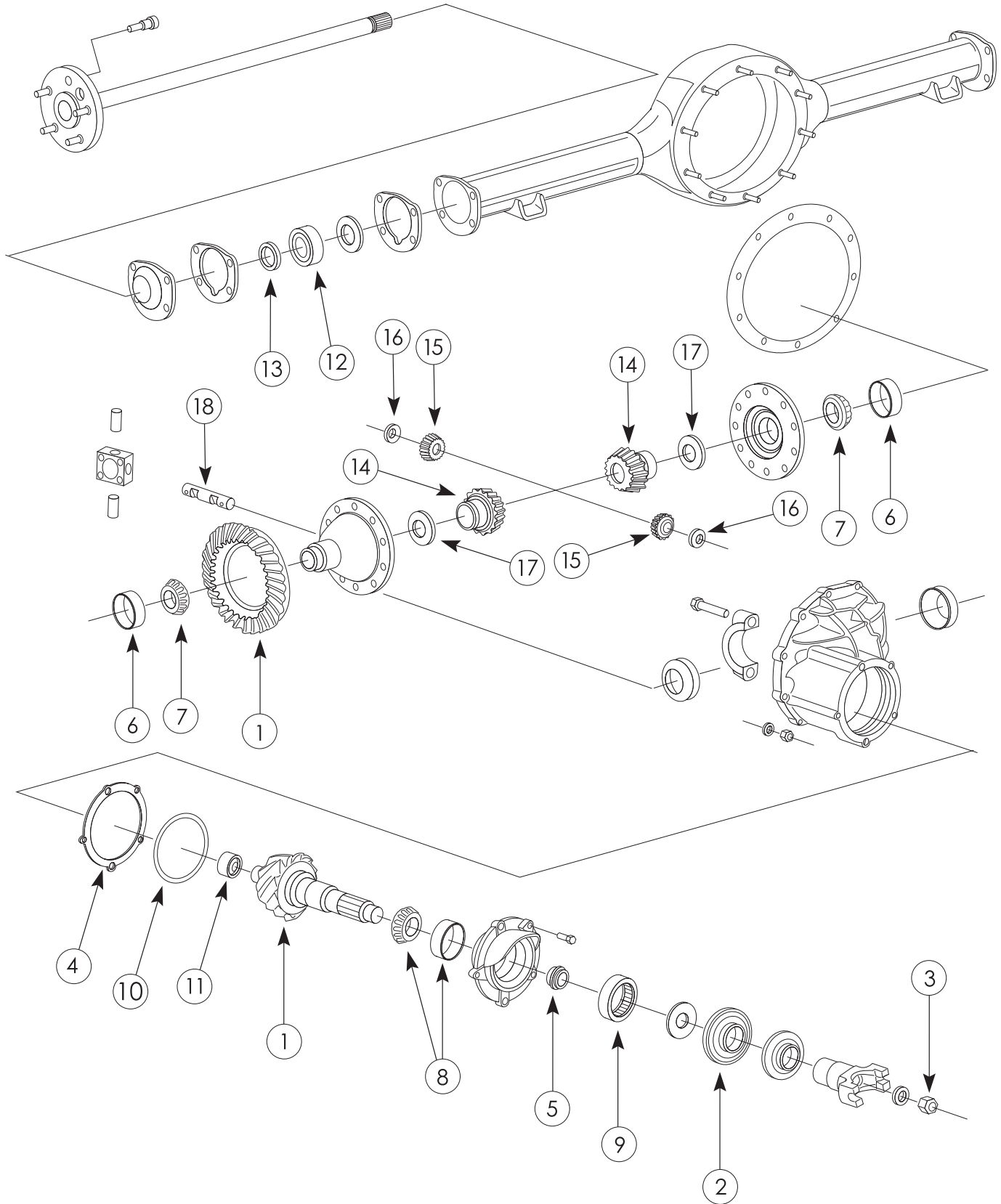
R80 MASTER REBUILD KIT

Illust #	Part #	Description	Qty
2	181086	Pinion Seal	1
3	18100	Pinion Nut	1
4	C90Z 4035 A	Gasket	1
5	D9BZ 4662 A	Crush Sleeve	1
6	LM501310	Side Carrier Bearing (Cup)	2
7	LM501349	Side Carrier Bearing (Cone)	2
8	M86610	Pinion Bearing Inner (Cup)	2
8	M86649	Pinion Bearing Inner (Cone)	2
9	R1558TV	Pinion Bearing Outer	1
10	C20Z 4669A	O-Ring	1

Marking Compound, Loctite, Brush, Shim Set included.





FORD 8"



F8-SPGK INTERNAL NEST KIT

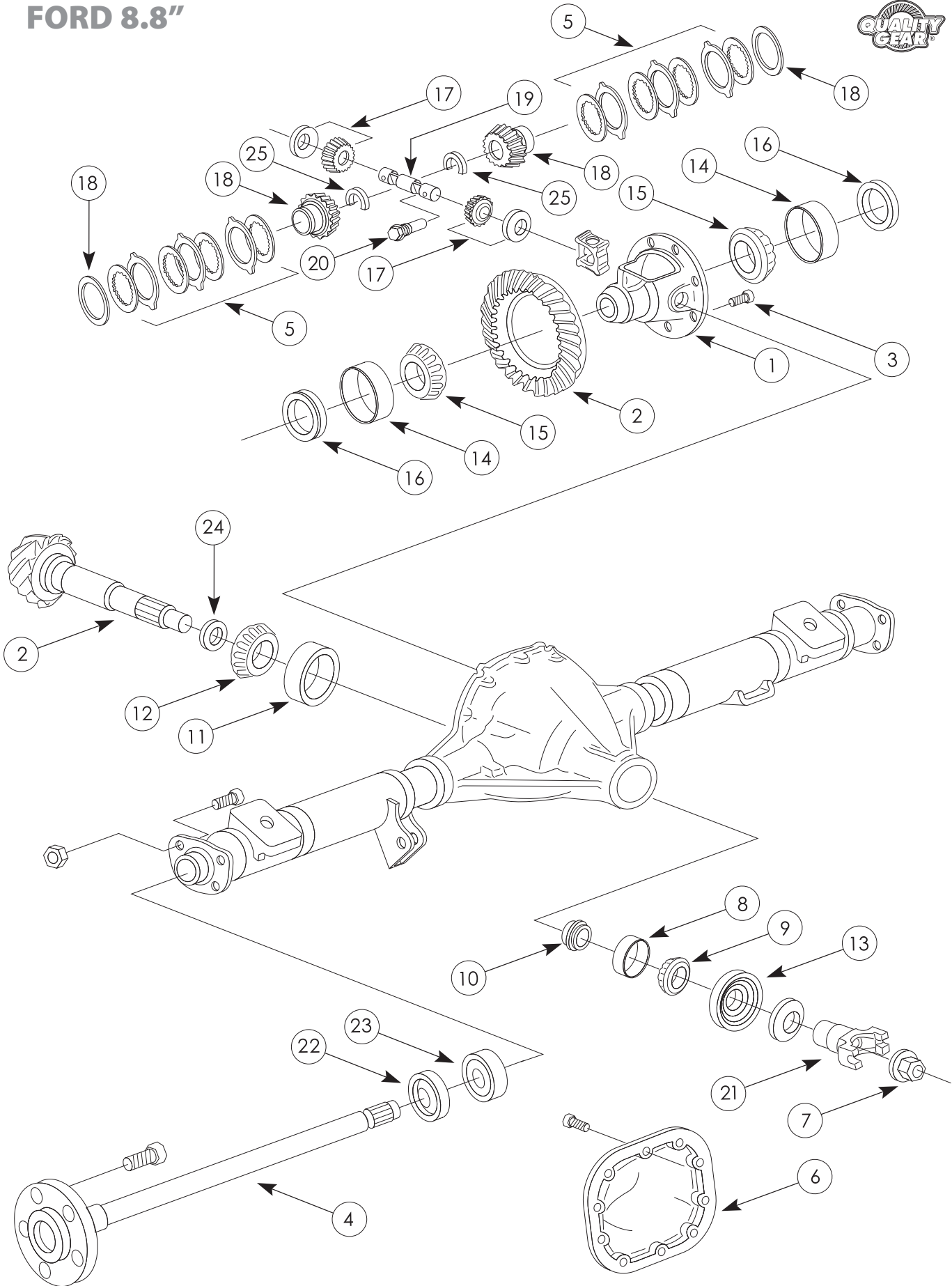
Illust #	Part #	Description	Qty
14	NSS	Side Gears	2
15	NSS	Pinion Gears	2
16	NSS	Washers, Pinion Gear	2
17	NSS	Washers, Side Gear	2
18	NSS	Cross Shaft	1

LIMITED SLIPS AND LOCKERS AVAILABLE FOR FORD 8" CAR

Manufacturer	Part #	Description	R.G. Size	Ratios	Spline	Years
<i>Detroit Locker</i>	187S13D	Detroit Locker C-Clip	8.0"	All	28 Spline	Up to 1978
<i>E-Z Locker</i>	813A027	E-Z Locker C-Clip	8.0"	All	28 + 31 Spline	Up to 1978
 <i>Auburn Gear</i>	542059	Auburn Gear Limited Slip (Pro Series)	7.75" & 8"	All	28 Spline	1962-79
 LOCK RIGHT PowerTrac	1810	Lock-Right Locker	8"	All	28 + 31 Spline	Up to 1979

When installing a Limited Slip, Posi additive M-19546-A-1 is required.

FORD 8.8"



FORD 8.8" (+Reverse)

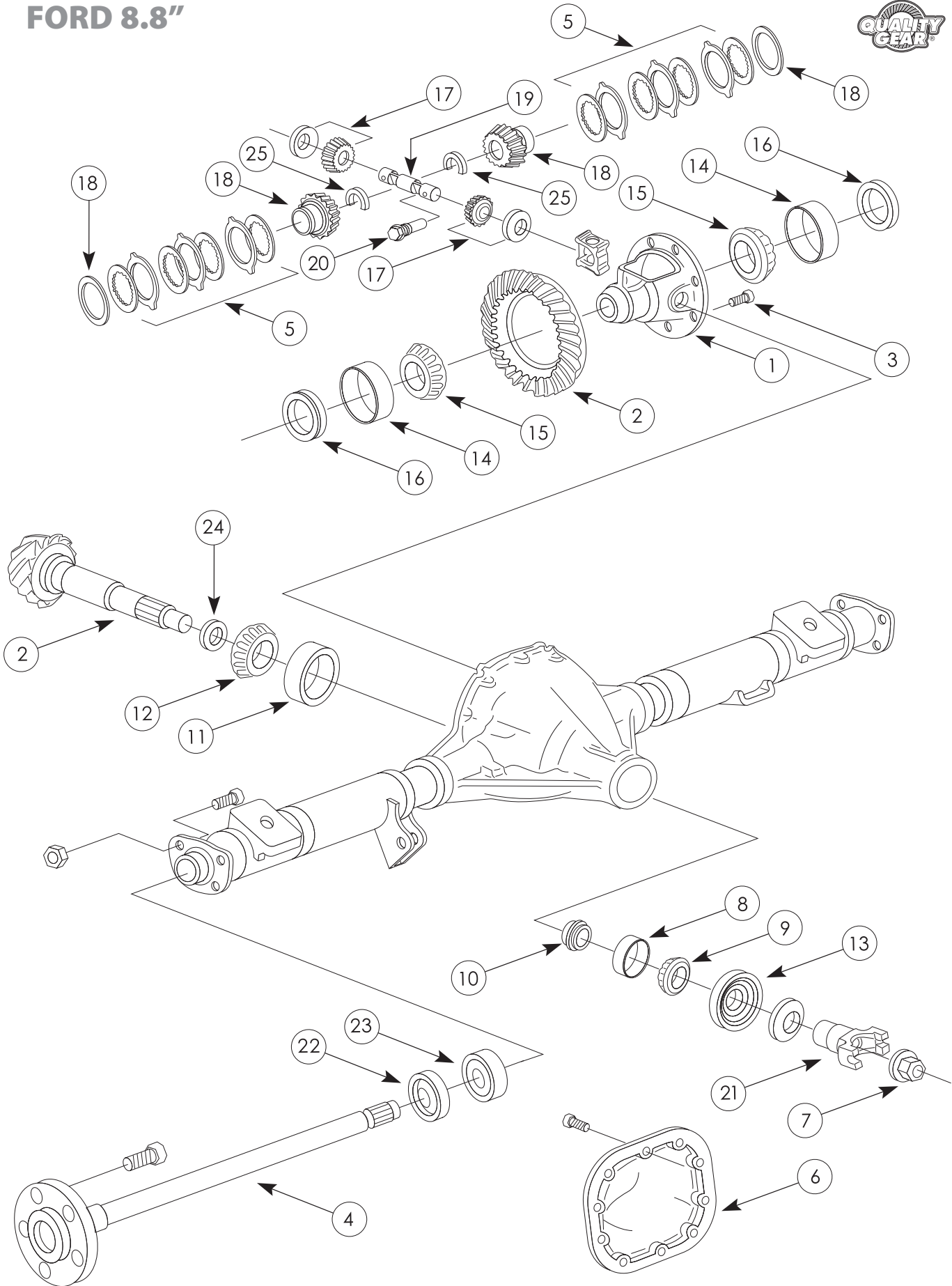
Crown Diameter	8.8"
Crown Bolts	(10) 7/16" x 20 RH
Housing Bolts	10
Carrier Breaks	None
Pinion Spline	30, 1.625"

FORD 8.8" OPEN & LOCKING DIFFERENTIAL

Illust #	Part #	Description	Req
1	IL2Z 4204 BA	Case , Empty Posi	1
1	F5AZ 4204 A	Case (Open, 28 Spline & 31 Spline) '80 - '86	1
1	E7TZ 4204 E	Case (Open, 31 Spline) '87 & Up	1
2	F88-308	Crown & Pinion , 3.08 Ratio, Quality Gear	1
2	F88-327	Crown & Pinion , 3.27 Ratio, Quality Gear	1
2	F88-331	Crown & Pinion , 3.31 Ratio, Quality Gear	1
2	F88-355	Crown & Pinion , 3.55 Ratio, Quality Gear	1
2	F88-355R	Crown & Pinion , 3.55 Ratio, Quality Gear (Reverse Cut)	1
2	F88-373	Crown & Pinion , 3.73 Ratio, Quality Gear	1
2	F88-373R	Crown & Pinion , 3.73 Ratio, Quality Gear (Reverse Cut)	1
2	F88-410	Crown & Pinion , 4.10 Ratio, Quality Gear	1
2	F88-410R	Crown & Pinion , 4.10 Ratio, Quality Gear (Reverse Cut)	1
2	F88-456*	Crown & Pinion , 4.56 Ratio, Quality Gear	1
2	F88-456R*	Crown & Pinion , 4.56 Ratio, Quality Gear (Reverse Cut)	1
2	F88-488*	Crown & Pinion , 4.88 Ratio, Quality Gear	1
2	F88-513*	Crown & Pinion , 5.13 Ratio, Quality Gear	1
3	D5AZ 4216 A	Ring Gear Bolts (7/16" - 20 X 3/4")	10
4		Axle Shaft Refer to Table	
5	F8.8-CPK	Clutch Pack (Posi Only)	1
6	M-4033-A301	Cover , Ford Motorsport, Chrome	1
NI	2LIZ 4215 EA	Locking Nest Kit (28 Spline)	1
18	E3TZ 4236 B	Side Gear (Posi)	1
21	E6TZ 4851 A	End Yoke , 1330 FS Series	1
22	13992	Axle Seals (Car)	2
22	16044	Axle Seals (Truck)	2
23	5707	Axle Bearings (Car)	2
23	6408	Axle Bearings (Truck)	2
24	F8.8MSK	Master Shim Kit (Includes Carrier & Pinion Shims)	1

* 4.56 and up require a modified cross shaft. All cars and trucks up to '86 use F88-XSM. All trucks '87 and newer use F88-XSLM

FORD 8.8"



R88 - MASTER REBUILD KIT

Illust #	Part #	Description	Qty
7	96386	Nut, Pinion	1
8	M88010	Bearing, Outer Pinion (Cup)	1
9	M88048	Bearing, Outer Pinion (Cone)	1
10	B7A 4662 A	Crush Sleeve	1
11	M802011	Bearing, Inner Pinion (Cup)	1
12	M802048	Bearing, Inner Pinion (Cone)	1
13	18190	Seal, Pinion	1
14	LM603012	Bearing, Side Diff (Cup)	2
15	LM603049	Bearing, Side Diff (Cone)	2
16	D9AZ 4067 AA	Spacer	2

Sealant, Marking Compound, Loctite, Brush included.

F8.8-SPGK28 - INTERNAL NEST KIT (28 SPL)

Illust #	Part #	Description	Qty
17	E3TZ 4215 A	Pinion Gear Kit (2)	1
18	C7AZ 4236 A	Side Gear Kit (2)	1
19	E9AZ 4211 A	Shaft, Pinion	1
20	14056196	Lockscrew	1

F8.8-SPGK31 LATE - INTERNAL NEST KIT (31 SPL) '87 & UP

Illust #	Part #	Description	Qty
17	E7TZ 4215 A	Pinion Gear Kit	1
18	E7TZ 4236 A	Side Gear Kit	1
19	E7TZ 4211 A	Pinion Shaft	1
20	14056196	Lockscrew	1

F8.8-SPGK31 EARLY - INTERNAL NEST KIT (31 SPL) 80 - 86

Illust #	Part #	Description	Qty
17	E3TZ 4215 A	Pinion Gear Kit (2)	1
18	E3TZ 4236 A	Side Gear Kit (1)(2)	1
19	E9AZ 4211 A	Shaft, Pinion	1
20	14056196	Lockscrew	1

F8.8-SPGK31 - TL (Locking)

Illust #	Part #	Description	Qty
17	-	Pinion Gear Kit*	1
18	-	Side Gear Kit*	1
19	E7TZ 4211 A	Cross Shaft	1
20	-	Lockscrew*	1
25	-	C Clips*	2

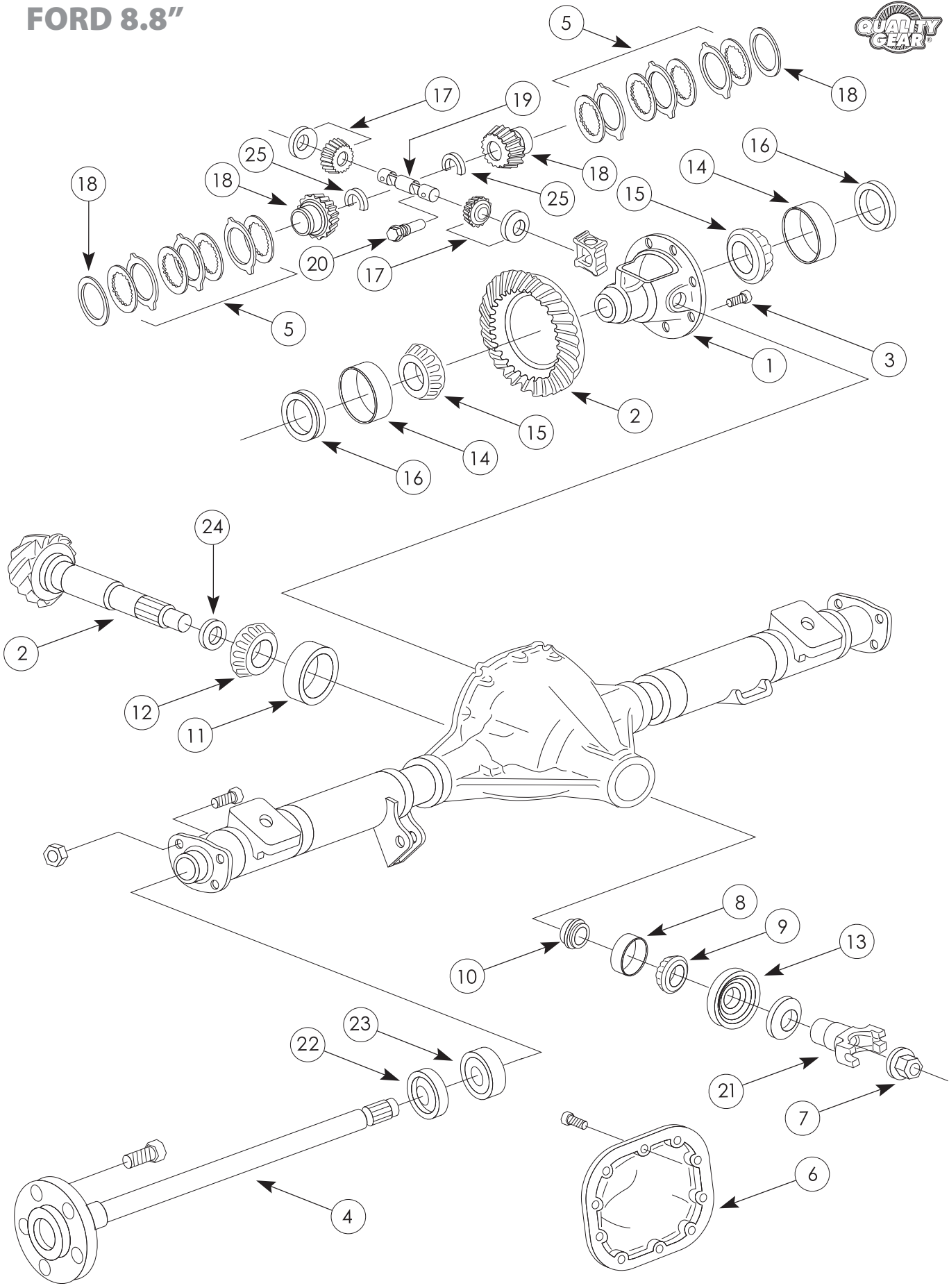
* NSS - available only in 4L3Z 4215 GA Nest Kit

FOOTNOTES

(1) The locking axle requires 2 of a E7TZ 4236 B side gears. (Not included in nest kit)

(2) Includes the gears and washers.

FORD 8.8"



F8.8-SPGK31 - TLC (Locking)

Illust #	Part #	Description	Qty
5	F8.8-CPK	Clutch Pack	1
17	-	Pinion Gear Kit*	1
18	-	Side Gear Kit*	1
19	E7TZ 4211 A	Cross Shaft	1
20	-	Lockscrew*	1
25	-	C-Clips*	1

* NSS - available only in 4L3Z 4215 GA Nest Kit

LIMITED SLIPS AND LOCKERS AVAILABLE FOR FORD 8.8"

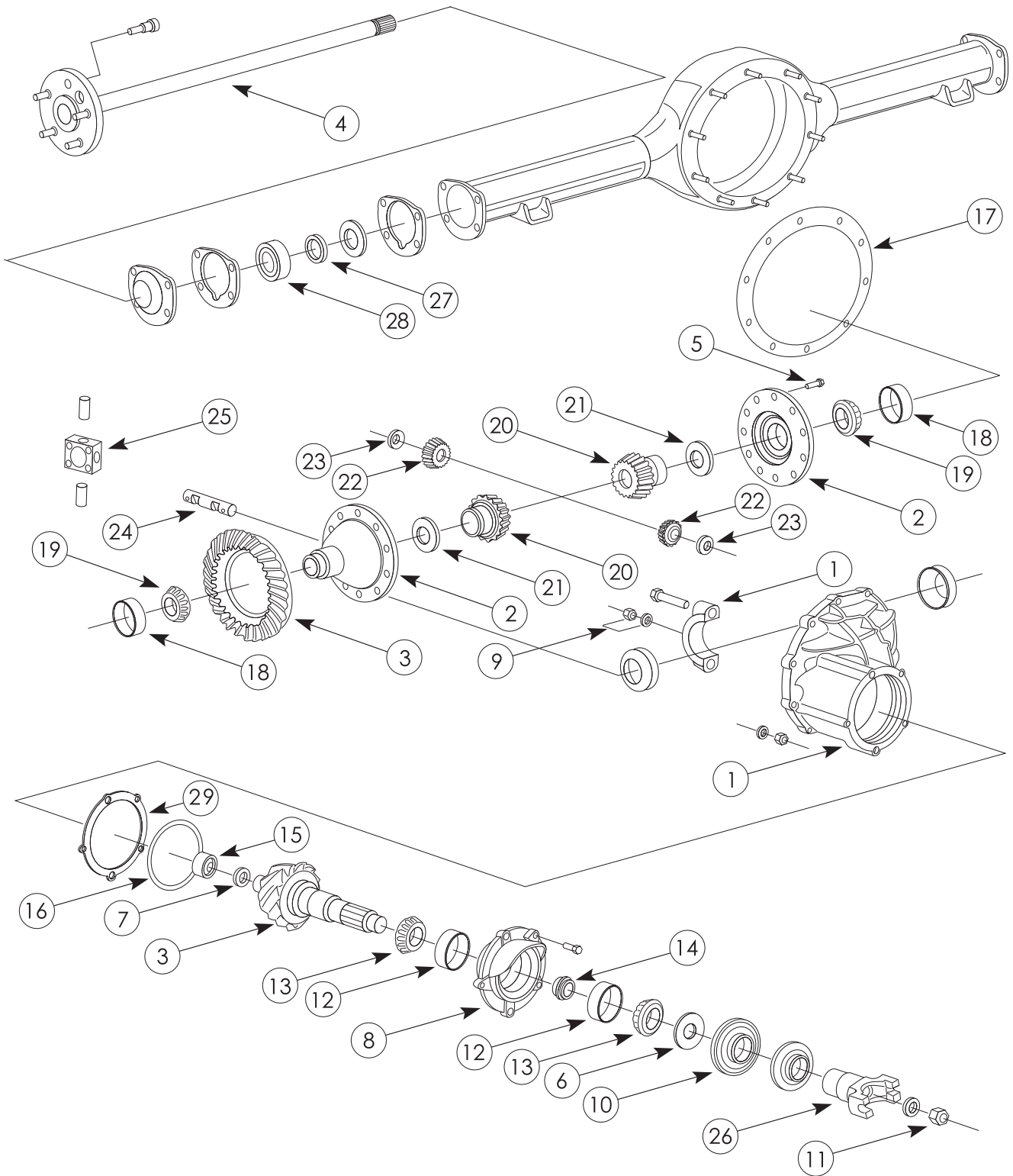
Manufacturer	Part #	Description	R.G. Size	Ratios	Spline	Years
Detroit Locker	187C147A	Detroit Locker (C-Clip)	8.8"	4.56 & Dn	28 Spline	1983
	187C146A	Detroit Locker (C-Clip)	8.8"	4.56 & Dn	31 Spline	1983-86
	187C145A	Detroit Locker (C-Clip)	8.8"	4.56 & Dn	31 Spline	1987 & Up
Detroit Truetrac	912A562	Detroit Truetrac (Limited Slip)	8.8"	3.08 - 4.56	28 Spline	1983 & 86
	912A563	Detroit Truetrac (IFS)	8.8"	3.08 - 4.56	28 Spline	1998
	913A561	Detroit Truetrac (Limited Slip)	8.8"	3.08 - 4.56	31 Spline	1987 & Up
E-Z Locker	813A024	Detroit E-Z Locker (C-Clip)	8.8"	All	31 Spline	1987 & Up
Auburn Gear	542080	Auburn Gear Lim. Slip (Pro Series)	8.8"	All	28 Spline	1979 & Up
	542054	Auburn Gear Lim. Slip (Pro Series)	8.8"	All	31 Spline	1983 & Up
	542079	Auburn Gear Lim. Slip (St. Series)	8.8"	All	28 Spline	1979 & Up
	542025	Auburn Gear Lim. Slip (St. Series)	8.8"	All	31 Spline	1983 & Up
	545001	Auburn Ected	8.8"	All	28 Spline	1978 & Up
	545002	Auburn Ected	8.8"	All	31 Spline	1983 & Up
	545005	Auburn Ected (IRS only)	8.8"	All	31 Spline	1983 & Up
	544816	Auburn Racing Spool	8.8"	All	31 Spline	-
	544806	Auburn Mini-Spool	8.8"	All	28 Spline	1979 & Up
	544807	Auburn Mini-Spool	8.8"	All	31 Spline	1979 & Up
EATON	19588-010	Eaton Limited Slip	8.8"	Common	31 Spline	1983 & Up
	19605-010	Eaton Limited Slip	8.8"	Common	28 Spline	1979 & Up
ARB AIR LOCKER	RD81	ARB Airlocker	8.8"	All	31 Spline	1983 & Up
	RD82	ARB Airlocker	8.8"	All	28 Spline	1990 & Up
LOCK RIGHT PowerTrax	1820	Lock-Right Locker	8.8"	All	28 Spline	1990 & Up
	1822	Lock-Right Locker	8.8"	All	31 Spline	1987 & Up
Ford MOTORSPORT SVO	M-4204-F288	Ford SVO, Traction-Lok	8.8"	All	28 Spline	-
	M-4204-F318	Ford SVO, Traction-Lok	8.8"	All	31 Spline	-

When installing a Limited Slip, Posi additive M-19546-A-1 is required

FOOTNOTES

- (1) The locking axle requires 2 of a E7TZ 4236 B side gears. (Not included in nest kit)
- (2) Includes the gears and washers.

FORD 9"



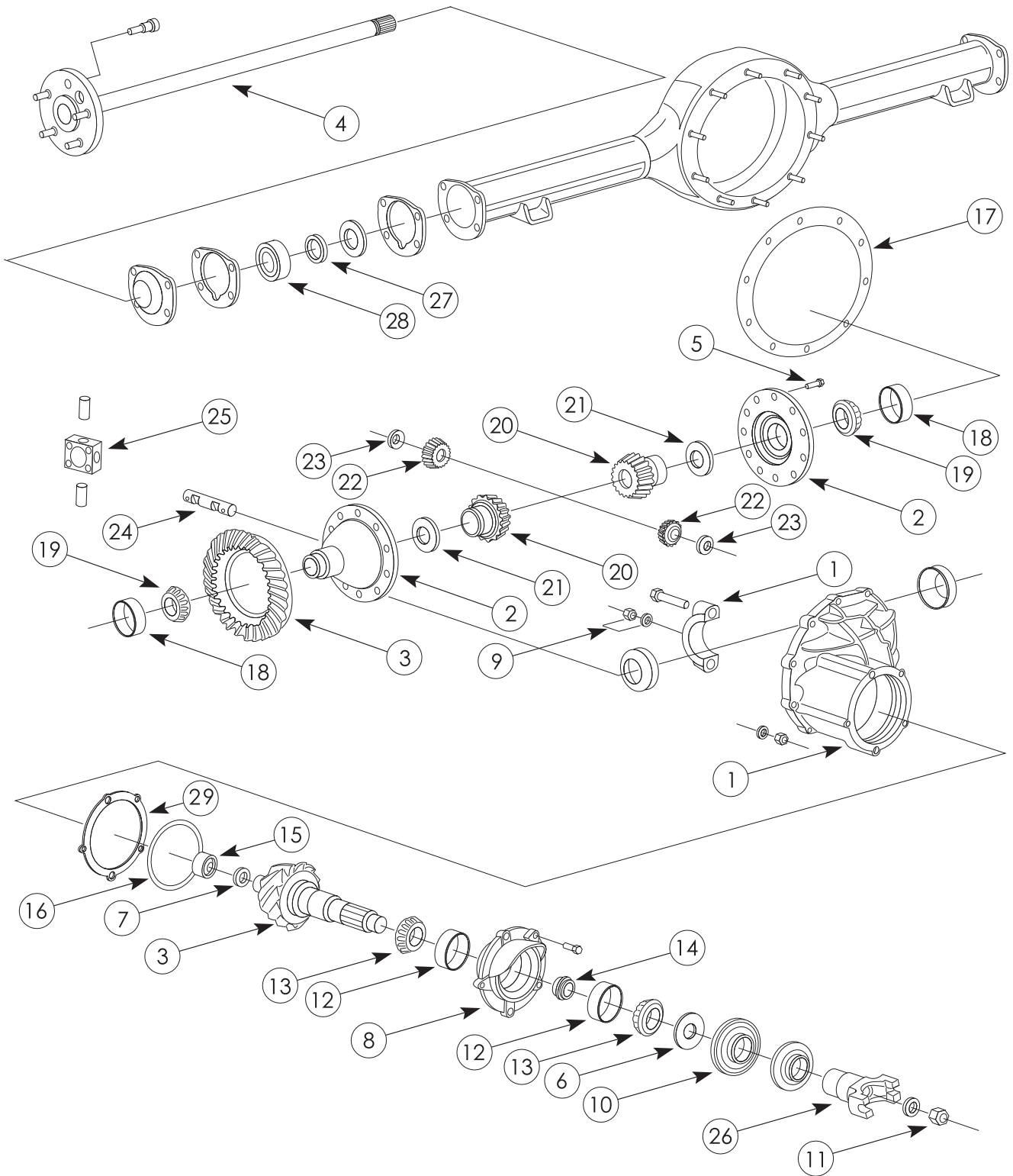
FORD 9"

Crown Diameter	9"
Crown Bolts	(10) 7/16" x 20 RH
Housing Bolts	10
Carrier Breaks	None
Pinion Spline	28, 1.313"

FORD 9" OPEN DIFFERENTIAL

Illust #	Part #	Description	Req
1	D7AZ 4141 A	Carrier Assembly (2.47 through 3.50 ratio)	1
1	D7TZ 4141 A	Carrier Assembly (4.11 ratio)	1
1	M-4141-A	Nodular Iron Carrier (Ford SVO; 28 or 31 Spline)	1
2	D0OZ 4204 D	Case (Empty, 28 & 31 spline)	1
3	F9-300	Crown & Pinion , 3.00 Ratio, Quality Gear	1
3	F9-325	Crown & Pinion , 3.25 Ratio, Quality Gear	1
3	F9-350	Crown & Pinion , 3.50 Ratio, Quality Gear	1
3	F9-370	Crown & Pinion , 3.70 Ratio, Quality Gear	1
3	F9-389	Crown & Pinion , 3.89 Ratio, Quality Gear	1
3	F9-411	Crown & Pinion , 4.11 Ratio, Quality Gear	1
3	F9-430	Crown & Pinion , 4.30 Ratio, Quality Gear	1
3	F9-456	Crown & Pinion , 4.56 Ratio, Quality Gear	1
3	F9-486	Crown & Pinion , 4.86 Ratio, Quality Gear	1
3	F9-514	Crown & Pinion , 5.14 Ratio, Quality Gear	1
3	F9-543	Crown & Pinion , 5.43 Ratio, Quality Gear	1
3	F9-583	Crown & Pinion , 5.83 Ratio, Quality Gear	1
3	F9-614	Crown & Pinion , 6.14 Ratio, Quality Gear	1
3	F9-620	Crown & Pinion , 6.20 Ratio, Quality Gear	1
3	F9-633	Crown & Pinion , 6.33 Ratio, Quality Gear	1
4		Axle Shaft Refer to Table	
5	350627S	Ring Gear Bolts (for Trac-Lock)	10
5	M-4216-A100	Ring Gear Bolts (1/2 Shoulder, 7/16 Thread, 0.98" Long - Not for Trac-Lock)	10
5	M-4216-A200-1	Ring Gear Bolts	10
6	D5AZ 4670 A	Slinger	1
7	B7AZ 4627 A	Retainer , Pinion Lock	1
8	M-4614-B	Retainer , Pinion Bearing (Heavy Duty Cast Iron)(Use with 1 of HM89443 & M88048)	1
9	M-4144-B	Lock & Bolt Kit (Contains 2 locks & 2 bolts) Fits Ford 9" nodular carriers produced after 1989	1
15	MUB5204TM	Pilot Bearing , Repair (Machining Required)	1
26	D4TZ 4851 D	End Yoke , 1310 Series	1
26	D9TZ 4851 A	End Yoke , 1330 FS Series	1
27	18881	Axle Seal	2
29	M-4663-A	Shim Kit (Pinion)	1
NI	M-4663-A100	Small Parts Kit	1

FORD 9"



R9A - REBUILD KIT (POPULAR BORE HUB DIA. 1.78")

Illust #	Part #	Description	Req
10	18833	Seal, Pinion	1
11	96386	Nut, Pinion	1
12	M88010	Bearing, Pinion Outer & Inner (Cup)	2
13	M88048	Bearing, Pinion Outer & Inner (Cone)	2
14	B7A 4662 A	Crush Sleeve	1
15	R1535TAV	Bearing, Pilot	1
16	B7A 4669 B	O-Ring	1
17	E3TZ 4035 B	Gasket	1
18	LM102910	Bearing, Diff Side (Cup)	2
19	LM102949	Bearing, Diff Side (Cone)	2

Sealant, Marking Compound, Loctite, Shim Set, Brush included.

R9B - REBUILD KIT (SMALL BORE HUB DIA. 1.63")

Illust #	Part #	Description	Req
10	18833	Seal, Pinion	1
11	96386	Nut, Pinion	1
12	M88010	Bearing, Pinion Outer & Inner (Cup)	2
13	M88048	Bearing, Pinion Outer & Inner (Cone)	2
14	B7A 4662 A	Crush Sleeve	1
15	R1535TAV	Bearing, Pilot	1
16	B7A 4669 B	O-Ring	1
17	E3TZ 4035 B	Gasket	1
18	LM501310	Bearing, Diff Side (Cup)	2
19	LM501349	Bearing, Diff Side (Cone)	2

Sealant, Marking Compound, Loctite, Shim Set, Brush included.

F9-SPGK28-2 INTERNAL NEST KIT (28 SPLINE, 2 PINION)

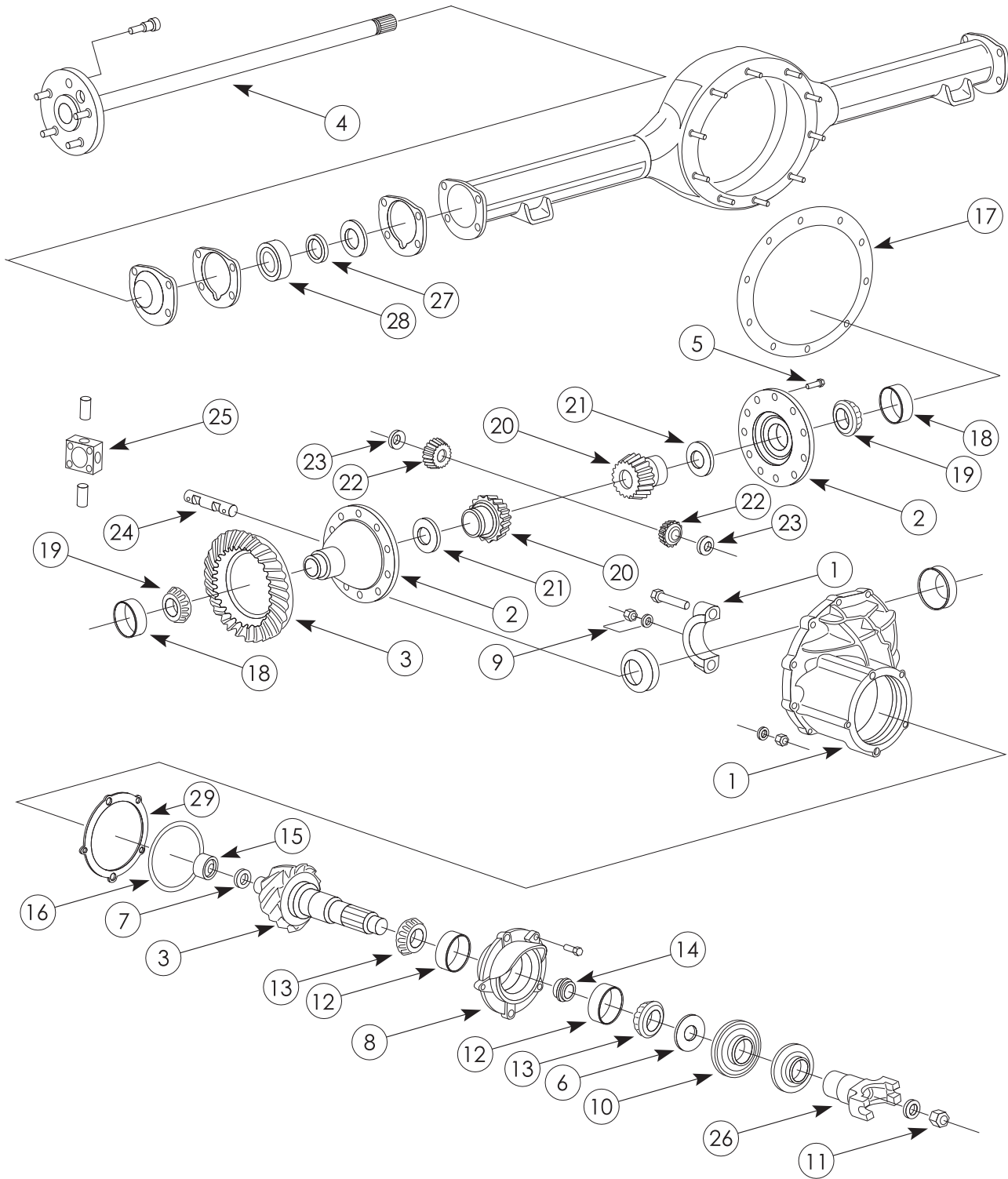
Illust #	Part #	Description	Req
20 & 21	C9AZ 4236 B	Side Gear Kit	1
22 & 23	C8OZ 4215 A	Pinion Gear Kit	1
24	E9AZ 4211 A	Pinion Shaft	1
NI	-	Roll Pin	1

F9-SPGK28-4 INTERNAL NEST KIT (28 SPLINE, 4 PINION)

Illust #	Part #	Description	Req
20 & 21	C9AZ 4236 B	Side Gear Kit	1
22 & 23	C8OZ 4215 A	Pinion Gear Kit	1
24	E9AZ 4211 A	Pinion Shaft	1
25	D3SZ 4211 A	Block & Pin Kit	1
NI	-	Roll Pin	1

QUALITY GEAR

FORD 9"



F9-SPGK31-2 INTERNAL NEST KIT (31 SPLINE, 2 PINION)

Illust #	Part #	Description	Req
20	C8OZ 4236 A	Side Gear (31 Spline)	2
21	C9OZ 4228 B	Washer - Side Gear	2
22 & 23	C8OZ 4215 A	Pinion Gear Kit	1
24	E9AZ 4211 A	Pinion Shaft	1
NI	NSS	Roll Pin	1

F9-SPGK31-4 INTERNAL NEST KIT (31 SPLINE, 4 PINION)

Illust #	Part #	Description	Req
20	C8OZ 4236 A	Side Gear (31 Spline)	2
21	C9OZ 4228 B	Washer - Side Gear	2
22 & 23	C8OZ 4215 A	Pinion Gear Kit	1
24	E9AZ 4211 A	Pinion Shaft	1
25	D3SZ 4211 A	Block & Pin Kit	1
NI	NSS	Roll Pin	1

LIMITED SLIPS AND LOCKERS AVAILABLE FOR FORD 9"

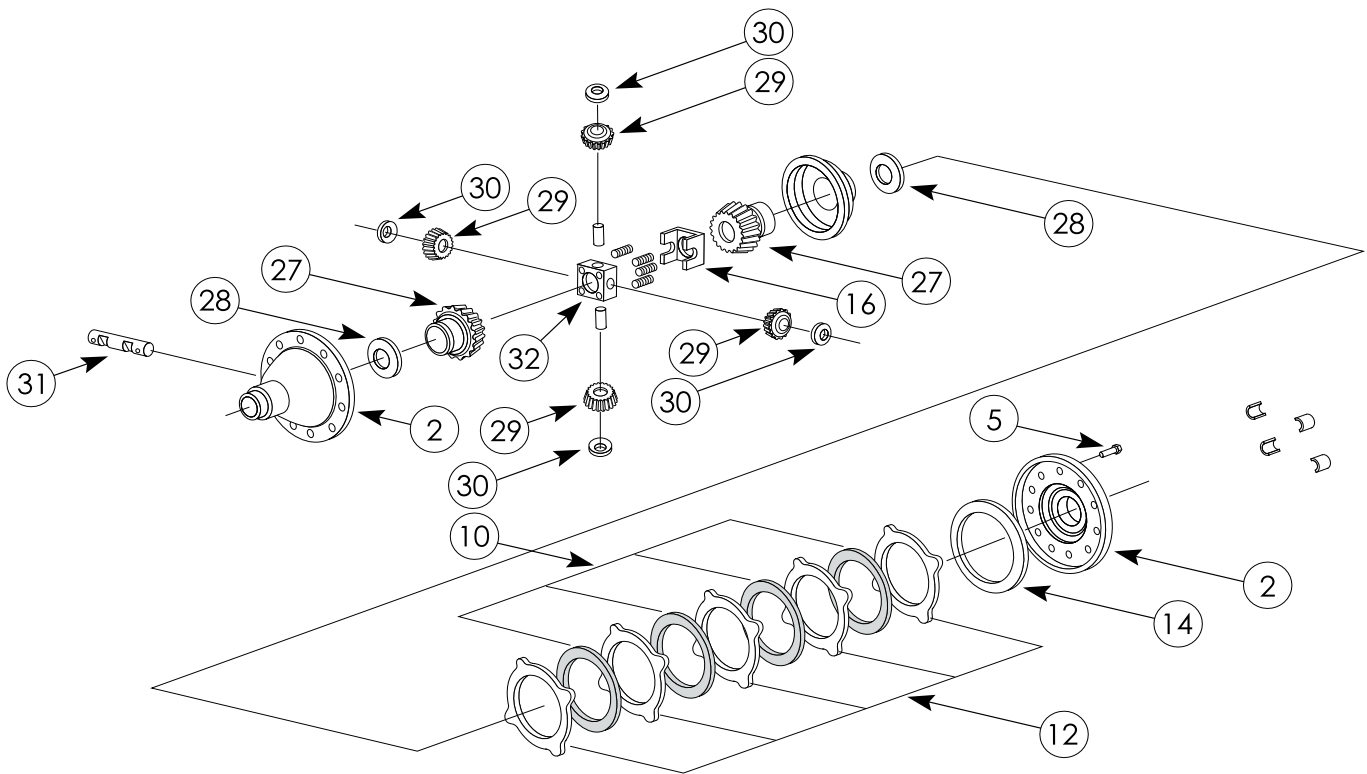
Manufacturer	Part #	Description	R.G. Size	Ratios	Spline	Years
Detroit Locker	187SL13A	Detroit Locker ⁽²⁾	9"	All exc 2.72	28 Spline	To 1979
	187SL17B	Detroit Locker ⁽²⁾	9"	All exc 2.72	31 Spline	1976-87
Detroit Truetrac	913A586	Detroit True-Trac	9"	All exc 2.72	31 Spline	1976-87
	913A587	Detroit True-Trac	9"	All exc 2.72	28 Spline	To 1979
E-Z Locker	813A027	Detroit E-Z Locker	9"	All	28+31Spln.	Up to 1987
Auburn Gear	542043	Auburn Gear Limited Slip (Pro Series) ⁽¹⁾	9"	All Ratios	28 Spline	1957-85
	542036	Auburn Gear Limited Slip (Pro Series) ⁽¹⁾	9"	All Ratios	31 Spline	1957-85
	544813	Auburn Racing Spool	9"	All	31 Spline	-
	544814	Auburn Racing Spool	9"	All	33 Spline	-
	544815	Auburn Racing Spool (3.250 Case)	9"	All	35 Spline	-
	544809	Auburn Mini-Spool	9"	All	28 Spline	1957-85
544810	Auburn Mini-Spool	9"	All	31 Spline	1957-85	
ARB AIR LOCKER	RD119	ARB Airlocker	9"	All	31 Spline	1976-86
LOCK RIGHT	1810	Lock-Right Locker	9"	All Ratios	28 & 31 Spline	1957-85
	92-0690-2800	Powertrax No-Slip Locker (4 Pinion)	9"	All Ratios	28 Spline	-
	92-0690-3100	Powertrax No-Slip Locker (4 Pinion)	9"	All Ratios	31 Spline	-
Ford MOTORSPORT SVO	M-4204-S935S	Ford SVO Steel Spool	9"	All	35 Spline	-

When installing a Limited Slip, Posi additive M-19546-A-1 is required.

(1) Pro Series Auburn Gear for Ford 9.0" use Ford part #D80Z-4216-B ring gear bolts or equivalent.

(2) May have to change ring bolts if changing from Posi to Detroit Locker.

FORD 9" LOCKING



FORD 9" LOCKING DIFFERENTIAL

Illust #	Part #	Description	Req
2	D3TZ 4204 A	Case (Empty, 28 & 31 spline)	1
10	C8OZ 4945 B	Disc, Clutch	4
10 & 12	F9 - CPK	9" Clutch Pack Kit (4 Clutch, 4 Steel & Friction Plate)	1
14	C8OZ 4A324 A	Shim Kit (Differential Clutch)[Incl 4 Shim (.10), 4 Shim (.005)]	1
16	C8OZ 4A326 A	Plate (Diff Gear Clutch Spring Preload)	1
NI	M-19546-A-1	Posi Additive	

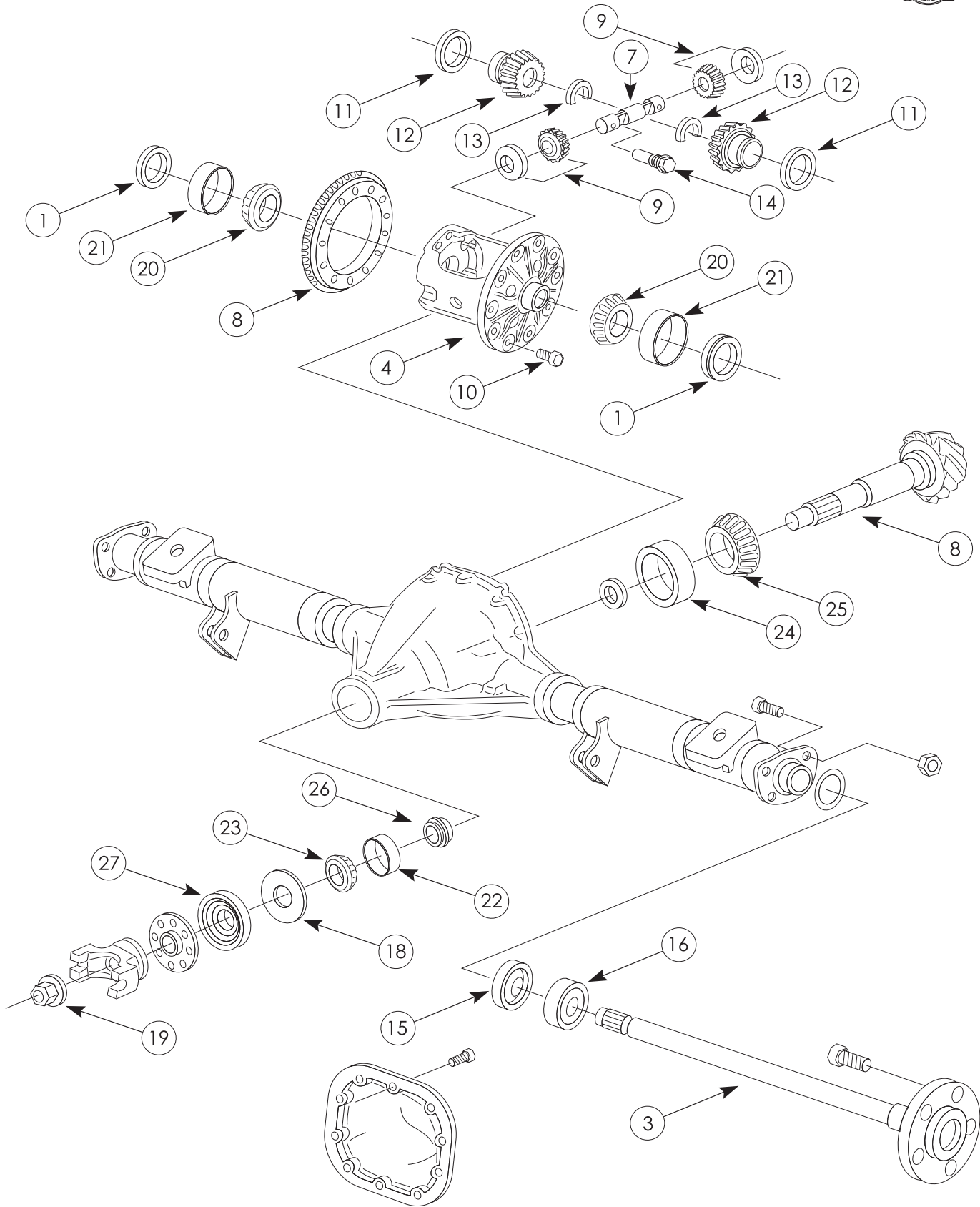
F9-SPGK28-TL INTERNAL NEST KIT (28 SPL, 4 PINION, POSI)

Illust #	Part #	Description	Req
27 & 28	C9AZ 4236 A	Side Gear Kit , (Includes 2 Sides Gears & 2 Washers)	1
29 & 30	C8OZ 4215 A	Pinion Gear Kit , (Includes 4 Pinion Gears & 4 Washers)	1
31	E9AZ 4211 A	Pinion Shaft , (Includes 1 Cross Pin & 1 Roll Pin)	1
32	D3SZ 4211 A	Block & Pin Kit , (Includes 1 Block & 2 Short Pins)	1

F9-SPGK31-TL INTERNAL NEST KIT (31 SPL, 4 PINION, POSI)

Illust #	Part #	Description	Req
27	C8OZ 4236 A	Side Gear , RH (31 Spline)	1
27	E2UZ 4236 A	Side Gear , LH (31 Spline)	1
28	C9OZ 4228 A	Washer , Side Gear	2
29 & 30	C8OZ 4215 A	Pinion Gear Kit , (Includes 4 Pinion Gears & 4 Washers)	1
31	E9AZ 4211 A	Pinion Shaft , (Includes 1 Cross Pin & 1 Roll Pin)	1
32	D3SZ 4211 A	Block & Pin Kit , (Includes 1 Block & 2 Short Pins)	1

FORD 9 3/4"



FORD 9 3/4"

Crown Diameter	9.75"
Crown Bolts	(12) 12mm x 1.25 RH
Housing Bolts	12
Carrier Breaks	None
Pinion Spline	31, 1.972"

FORD 9 3/4" - TRUCK

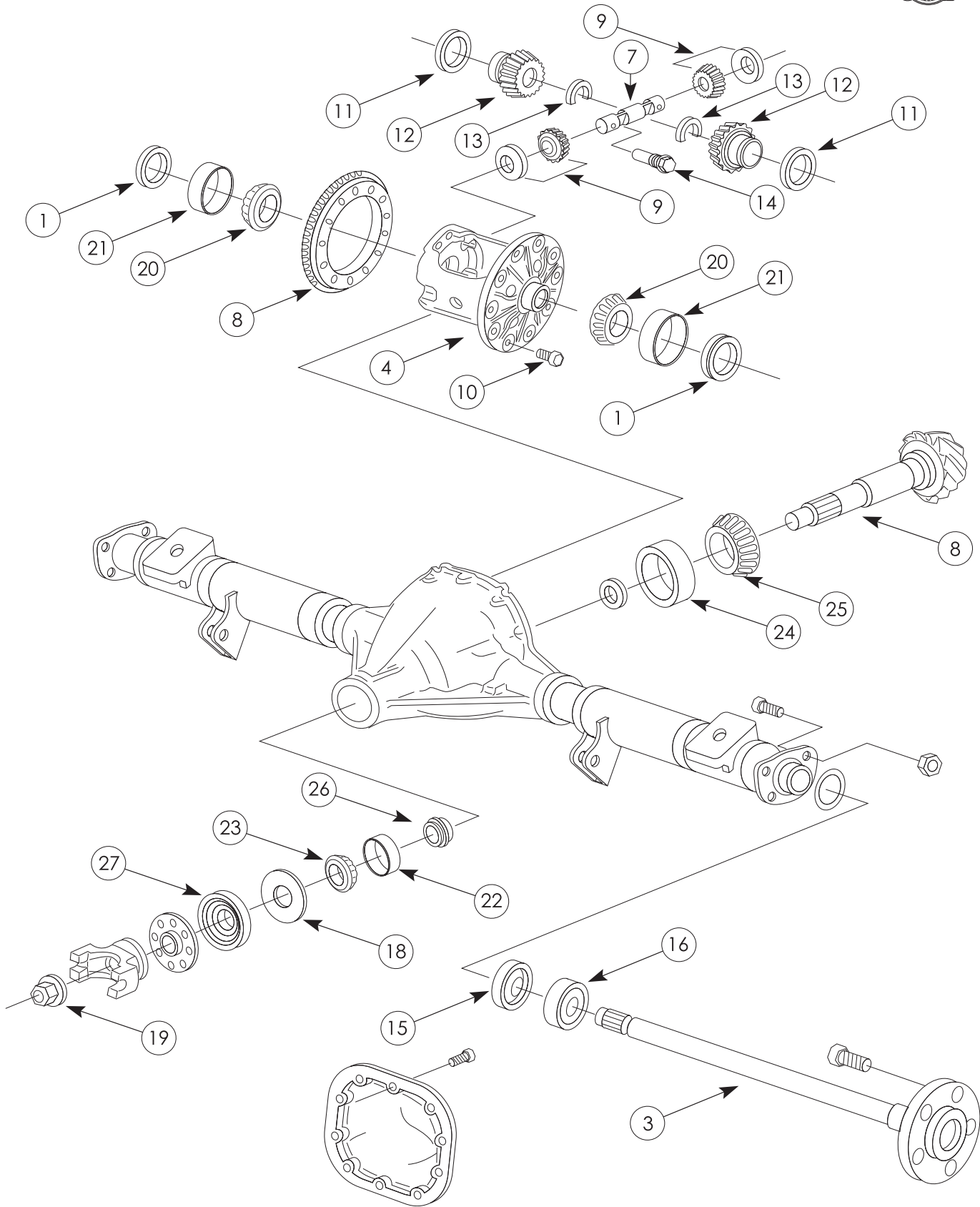
Illust #	Part #	Description	Req
1	F9.75MSK	Master Shim Kit	AR
3		Rear Axle RH Refer to Table	
3		Rear Axle LH Refer to Table	
4	2L1Z 4026 AA	Case Assembly, Loaded, Locking	1
7	F75Z 4211 AA	Cross Shaft	1
8	F9.75-355	Crown & Pinion, 3.55 Ratio, Quality Gear	1
8	F9.75-373	Crown & Pinion, 3.73 Ratio, Quality Gear	1
8	F9.75-410	Crown & Pinion, 4.10 Ratio, Quality Gear	1
8	F9.75-456	Crown & Pinion, 4.56 Ratio, Quality Gear	1
8	F9.75-489	Crown & Pinion, 4.89 Ratio, Quality Gear	1
8	F9.75-513	Crown & Pinion, 5.13 Ratio, Quality Gear	1
9	F75Z 4215 AA	Rear Axle Pinion Kit	1
11	F75Z 4230 AA	Pinion, Thrust Washer	2
12	F75Z 4236 BA	Side Gear	2
14	ESTZ 4241 A	Lockscrew	2
15	16044	Seal, Axle	2
16	R1561TV	Bearing, Axle	2
18	D5AZ 4670 A	Slinger, Pinion	1

REM975 OVERHAUL KIT 1997 - 1999

Illust #	Part #	Description	Req
19	N811024S100	Nut, Pinion	1
20	NP372019	Bearing, Diff Side (Cone)	2
21	NP343847	Bearing, Diff Side (Cup)	2
22	NP434567	Bearing, Pinion Rear (Cup)	1
23	NP576375	Bearing, Pinion Rear (Cone)	1
24	M88010	Bearing, Pinion Front (Cup)	1
25	M88048	Bearing, Pinion Front (Cone)	1
26	B7A 4662 A	Crush Sleeve	1
27	18190	Seal, Pinion	1

Sealant, Marking, Compound, Loctite, Brush & Shims included



FORD 9 3/4"



REM975L OVERHAUL KIT 2000 + up

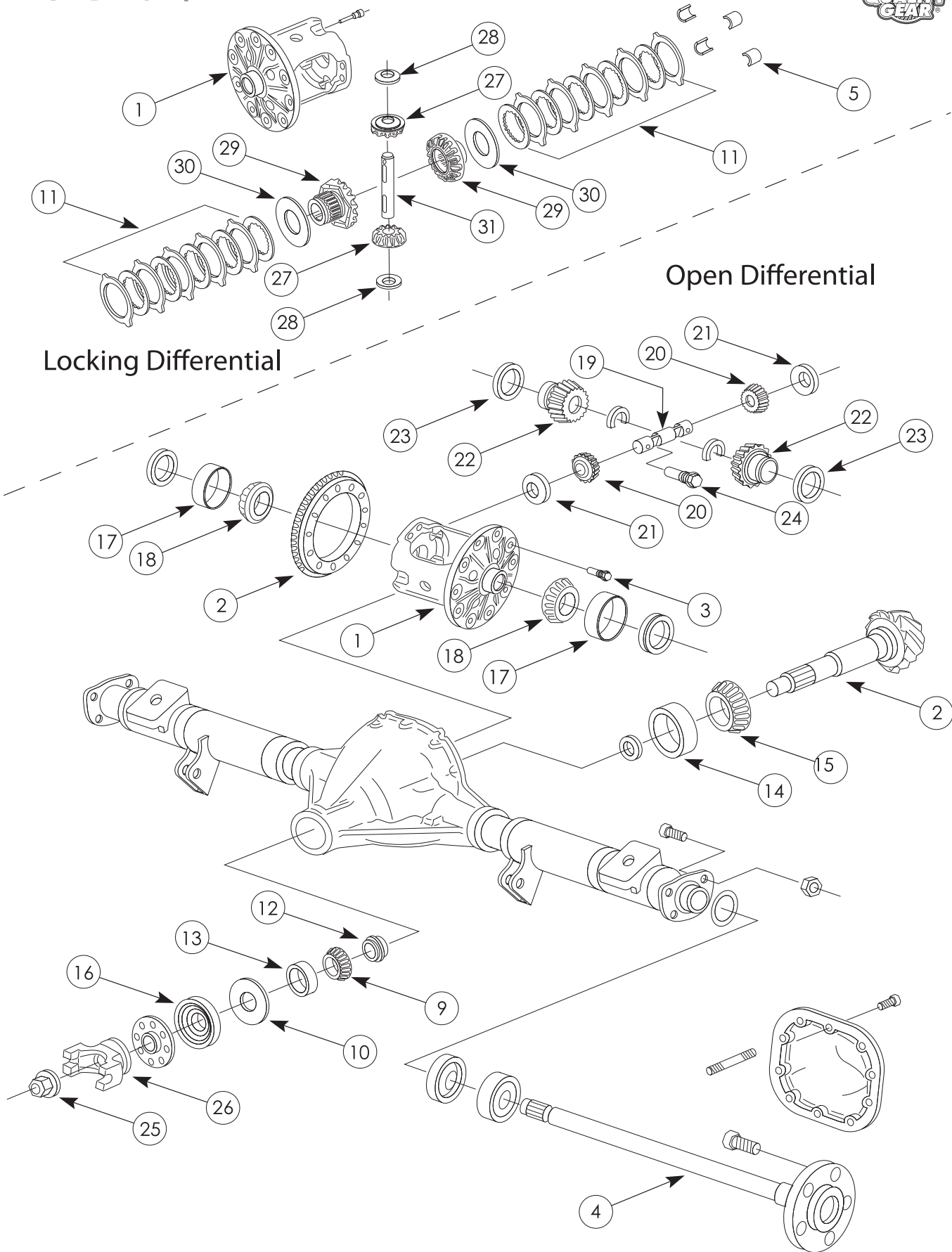
Illust #	Part #	Description	Req
19	390313S100	Nut, Pinion	1
20	NP372019	Bearing , Diff Side (Cone)	2
21	NP343847	Bearing , Diff Side (Cup)	2
22	NP434567	Bearing , Pinion Inner (Cup)	1
23	NP576375	Bearing , Pinion Inner (Cone)	1
24	HM89411	Bearing , Pinion Outer (Cup)	1
25	HM89443	Bearing , Pinion Outer (Cone)	1
26	B7A 4662 A	Crush Sleeve	1
27	18024	Seal, Pinion	1
Sealant, Marking, Compound, Loctite, Brush & Shims included			

LIMITED SLIPS AND LOCKERS AVAILABLE FOR FORD 9.75"

Manufacturer	Part #	Description	R.G. Size	Ratios	Spline	Years
<i>Detroit Locker</i>	225C194A	Detroit Locker	9.75"	All	34 Spline	1997 & Up
<i>Detroit Truetrac</i>	913A477	Detroit True-Trac	9.75"	All	34 Spline	1997 & Up
 Auburn Gear	542090	Auburn Limited Slip (Street Series)	9.75"	All	34 Spline	1997 & up
 EATON	19627-010	Eaton Limited Slip	9.75"	All	34 Spline	1997 & up

When installing a Limited Slip, Posi additive M-19546-A-1 is required.

FORD 10 1/4"



FORD 10 1/4" Early

Crown Diameter	10.25"
Crown Bolts	(12) 1/2" x 20 RH
Housing Bolts	14
Carrier Breaks	None
Pinion Spline	31, 1.940"

FORD 10 1/4" & 10 1/2" Late

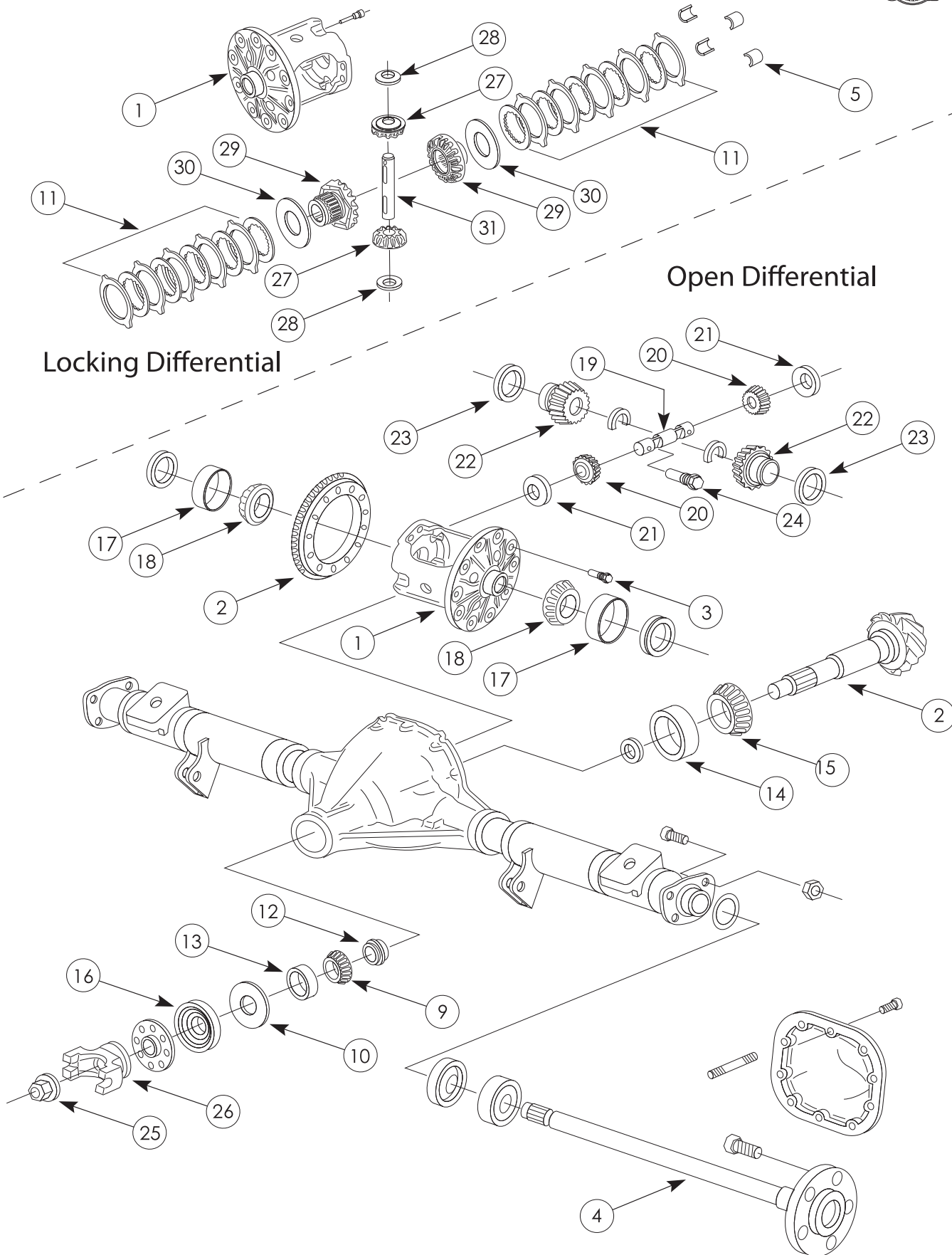
Crown Diameter	10.25" or 10.5
Crown Bolts	(12) 1/2" x 20 RH
Housing Bolts	12
Carrier Breaks	None
Pinion Spline	31, 1.940"

FORD 10 1/4" OPEN & LOCKING DIFFERENTIAL

Illust #	Part #	Description	Req
1	E7TZ 4204 C	Case , (Open, Empty)	1
1	E75Z 4026 DA	Case , Loaded, Ford Style (1997 & Up)	1
1	E7TZ 4204 D	Case , (Locking, Empty)	1
2	F75Z 4209 AC	Crown & Pinion , 3.31 Ratio, Quality Gear (1993 & Up)	1
2	F10-355	Crown & Pinion , 3.55 Ratio, Quality Gear - 10 1/8" Crown (1992 & Down)	1
2	F10-355L	Crown & Pinion , 3.55 Ratio, Quality Gear - 10 1/2" Crown (1993 & Up)	1
2	F10-373	Crown & Pinion , 3.73 Ratio, Quality Gear (1992 & Down)	1
2	F10-373L	Crown & Pinion , 3.73 Ratio, Quality Gear (1993 & Up)	1
2	F10-410	Crown & Pinion , 4.10 Ratio, Quality Gear - 10 1/8" Crown (1992 & Down)	1
2	F10-410L	Crown & Pinion , 4.10 Ratio, Quality Gear - 10 1/2" Crown (1993 & Up)	1
2	F10-456	Crown & Pinion , 4.56 Ratio, Quality Gear (1992 & Down)	1
2	F10-456L	Crown & Pinion , 4.56 Ratio, Quality Gear (1993 & Up)	1
2	F10-488L	Crown & Pinion , 4.88 Ratio, Quality Gear (1993 & Up)	1
2	F10-513L	Crown & Pinion , 5.13 Ratio, Quality Gear (1993 & Up)	1
3	E5TZ 4216 A	Ring Gear Bolts , (1/2"-20 x 1 1/8")	12
4		Axle Shaft , refer to axle table	
5	E5TZ 4A323 A	Guide , Diff Clutch Plate (Locking Axle Only)	4
9	B7A 4662 A	Crush Sleeve	1
10	D5AZ 4670 A	Slinger	1
11	F10.25 - CPK	Clutch Pack , (Includes Guides, Friction Discs & Plates) (Dana Style)	1
11	F75 4947 AB	Clutch Pack , (Ford Style)	1
20	E5TZ 4215 A	Pinion Gear Kit (Includes Gears & Washers)	1
21	E5TZ 4230 A	Washer, Pinion Gear	2
22	E5TZ 4236 B	Side Gear , (Locking Only)	2
23	E5TZ 4228 A	Washer, Side Gear	2
25	44189	Pinion Nut	1
26	E5TZ 4851 A	End Yoke , 1330 FS Series 1992 & Down (Early)	1
26	E7TZ 4851 A	End Yoke , 1350 Series 1992 & Down (Early)	1
26	E8TZ 4851 B	End Yoke , 1330 FS Series 1993 & Up (Late)	1
NI	F10.25MSK	Master Shim Kit (Up To '97)	AR
NI	E7TZ 4B409 A	ABC Tone Ring	1

* Ford Ford 10.25" Applications, use 10.25" L Gear Set With Larger 10.25" Pinion Bearings

FORD 10 1/4"



RA1025 - OVERHAUL KIT 1985 & up

Illust #	Part #	Description	Req
12	HM89411	Bearing , Pinion Outer (Cup)	1
13	HM89443	Bearing , Pinion Outer (Cone)	1
14	HM807010	Bearing , Pinion Inner (Cup)	1
15	HM807044	Bearing , Pinion Inner (Cone)	1
16	18024	Seal , Pinion	1
17	453X	Bearing , Side Diff (Cup)	2
18	469	Bearing , Side Diff (Cone)	2
Sealant Included			

R1025 - OVERHAUL KIT 1985 & up

Illust #	Part #	Description	Req
9	B7A 4662 A	Crush Sleeve	1
12	HM89411	Bearing , Pinion Outer (Cup)	1
13	HM89443	Bearing , Pinion Outer (Cone)	1
14	HM807010	Bearing , Pinion Inner (Cup)	1
15	HM807044	Bearing , Pinion Inner (Cone)	1
16	18024	Seal , Pinion	1
17	453X	Bearing , Side Diff (Cup)	2
18	469	Bearing , Side Diff (Cone)	2
25	44189	Nut , Pinion	1

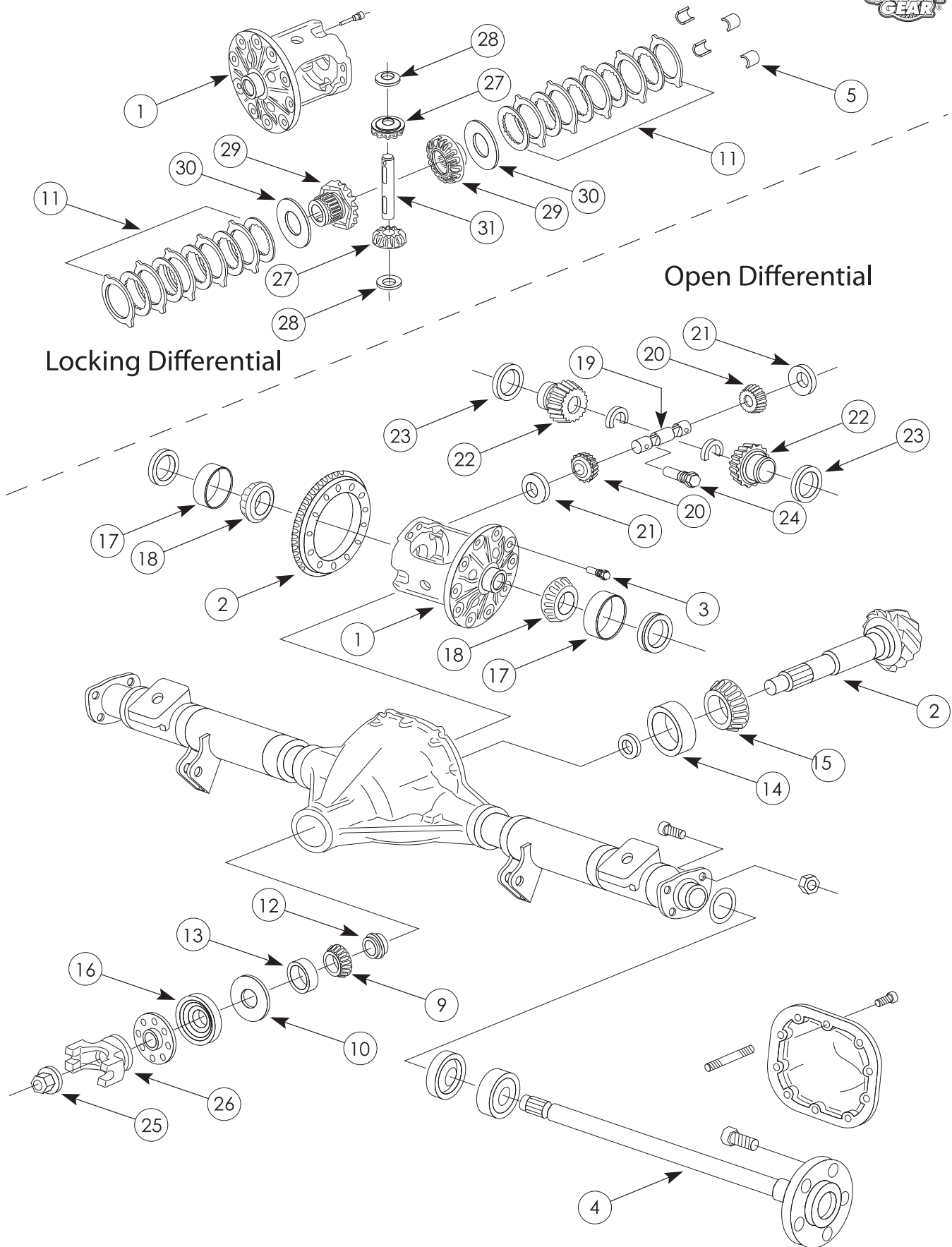
Sealant, Loctite, Marking Compound, Brush and Shim Set Included

R1050 - OVERHAUL KIT 1998 & up

Illust #	Part #	Description	Req
9	B7A 4662 A	Crush Sleeve	1
12	HM89411	Bearing , Pinion Outer (Cup)	1
13	HM89443	Bearing , Pinion Outer (Cone)	1
14	NP504493	Bearing , Pinion Inner (Cup)	1
15	NP949481	Bearing , Pinion Inner (Cone)	1
16	18024	Seal , Pinion	1
17	453X	Bearing , Side Diff (Cup)	2
18	469	Bearing , Side Diff (Cone)	2
25	44189	Nut , Pinion	1

Sealant, Loctite, Marking Compound, Brush and Shim Set Included

FORD 10 1/4"



F10.25-SPGK - INTERNAL NEST KIT

Illust #	Part #	Description	Req
19	E5TZ 4211 A	Shaft, Pinion Gear	1
20 & 21	E5TZ 4215 A	Pinion Gear Kit (Includes Gears & Washers)	1
22 & 23	E5TZ 4236 A	Side Gear Kit (Includes Gears & Washers)	1
24	E5TZ 4241 A	Lockscrew	1

INTERNAL NEST KIT - LOCKING (F10.25)

Illust #	Part #	Description	Req
31	E5TZ 4211 A	Shaft, Pinion Gear	1
27 & 28	E5TZ 4215 A	Pinion Gear Kit (Includes Gears & Washers)	1
27 & 30	3C3Z 4215 DA	Side and Pinion Gear Kit	1

INTERNAL NEST KIT - LOCKING (F10.5)

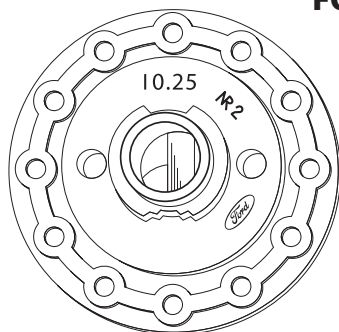
Illust #	Part #	Description	Req
26	E5TZ 4211 A	Shaft, Pinion Gear	1
27 & 28	E5TZ 4215 A	Pinion Gear Kit (Includes Gears & Washers)	1
27 & 30	3C3Z 4215 EA	Side and Pinion Gear Kit	1

LIMITED SLIPS AND LOCKERS AVAILABLE FOR FORD 10 1/4"

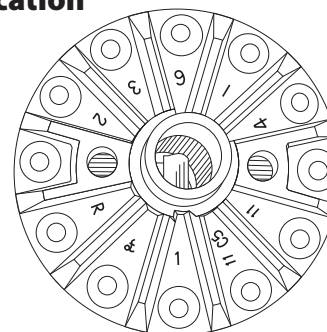
Manufacturer	Part #	Description	R.G. Size	Ratios	Spline	Years
<i>Detroit Locker</i>	225SL56A	Detroit Locker	10.25"	All	35 Spline	1983 & Up
<i>Detroit Truetrac</i>	915A550	Detroit Truetrac	10.25"/10.5"	All	35 Spline	1983 & up
<i>Auburn Gear</i>	542089	Auburn Limited Slip (Street Series)	10.25"/10.5	All	35 Spline	1984 & Up
EATON	19694-010	Eaton Post (LSD)	10.5"	Common	35 Spline	
ARB AIR LOCKER	RD37	ARB Airlocker	10.25"/10.5	All	35 Spline	1985 & Up
LOCK RIGHT	1840	Lock-Right Locker	10.25"	All	35 Spline	1985 & Up

When installing a Limited Slip, Posi additive M-19546-A-1 is required.

FORD 10 1/4" Case Identification



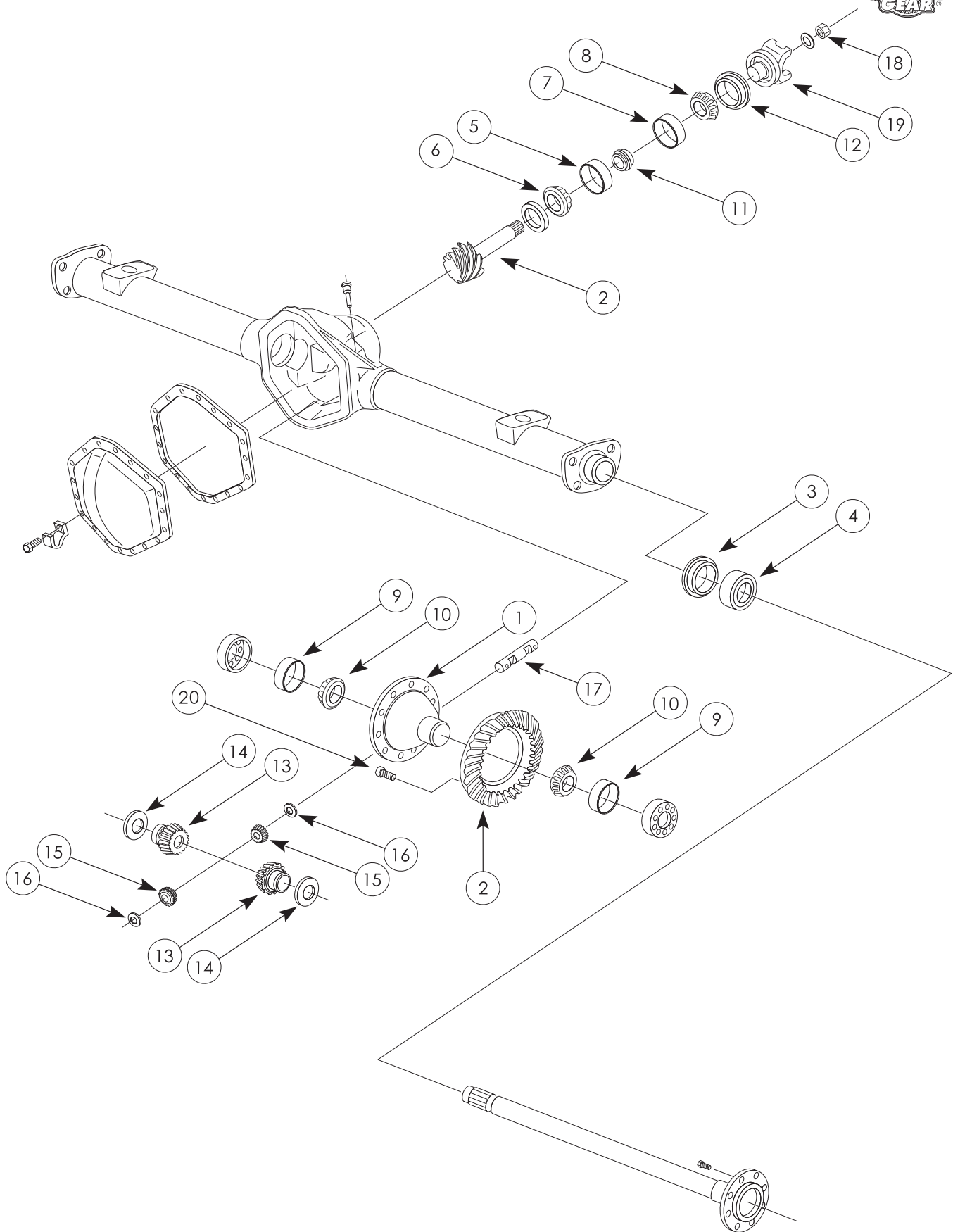
FORD DESIGN DIFFERENTIAL CASE



DANA DESIGN DIFFERENTIAL CASE

Case assemblies interchangeable inner parts **cannot** be interchanged

CHRYSLER 7 1/4"



CHRYSLER 7 1/4"

Crown Diameter	7.25"
Crown Bolts	(8) 3/8" x 24 LH
Housing Bolts	9 or 10
Carrier Breaks	2.47/2.76
Pinion Spline	27, 1.375"

CHRYSLER 7 1/4" REAR DIFFERENTIAL

Illust #	Part #	Description	Req
1	4384218	Case (Empty, Open)	1
2	C7.25-323	Crown & Pinion, 3.23 Ratio, Quality Gear	1
2	C7.25-355	Crown & Pinion, 3.55 Ratio, Quality Gear	1
2	C7.25-391	Crown & Pinion, 3.91 Ratio, Quality Gear	1
2	C7.25-410	Crown & Pinion, 4.10 Ratio, Quality Gear	1
3	16044	Seal, Axle	2
4	6408	Bearing, Axle Shaft	2
19	2-4-5851	End Yoke, 1310 Series	1

R725R - MASTER REBUILD KIT

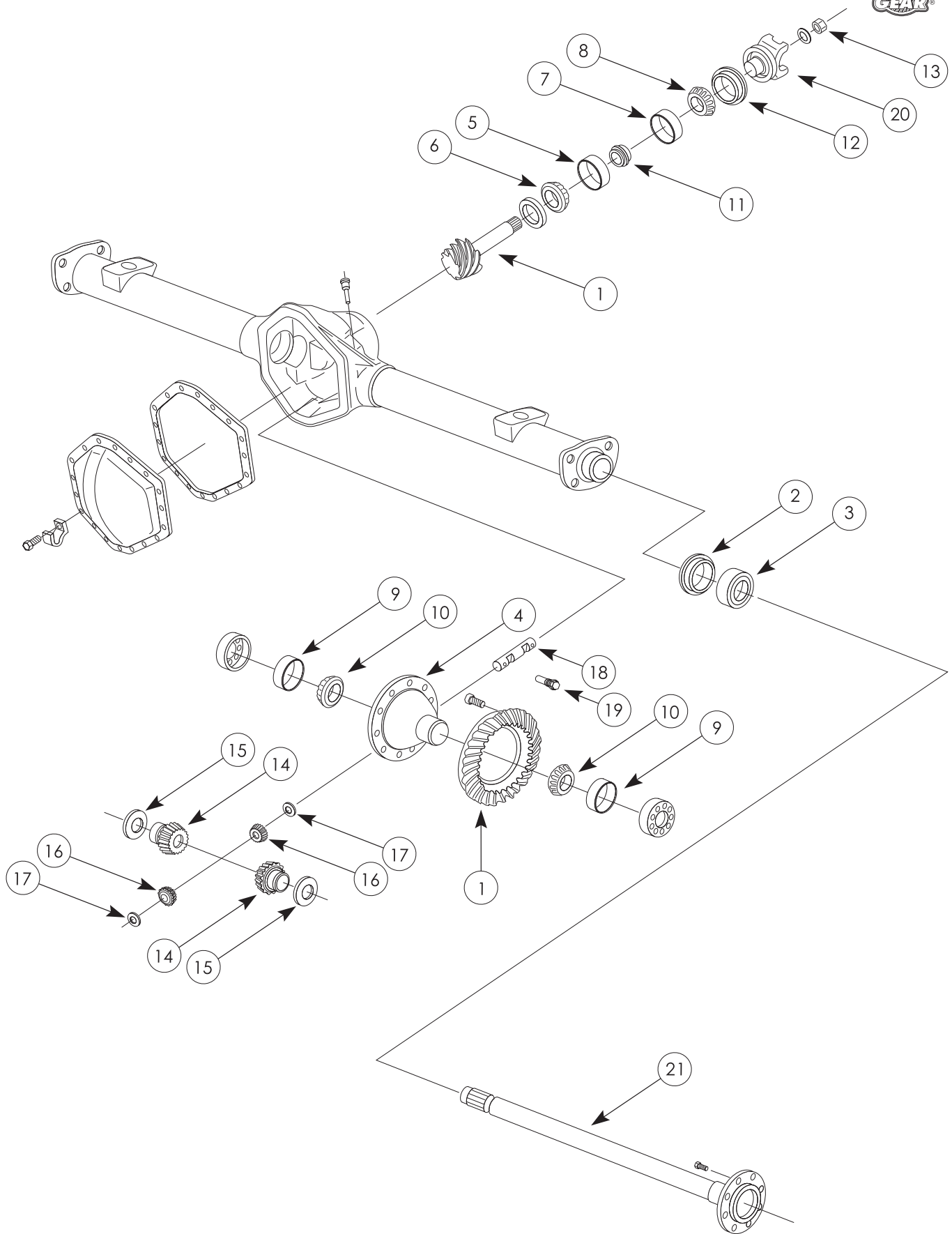
Illust #	Part #	Description	Req
5	M86610	Bearing, Outer Pinion (Cup)	1
6	M86649	Bearing, Outer Pinion (Cone)	1
7	HM88610	Bearing, Inner Pinion (Cup)	1
8	HM88649	Bearing, Inner Pinion (Cone)	1
9	LM501310	Bearing, Side Diff (Cup)	2
10	LM501349	Bearing, Side Diff (Cone)	2
11	3507575	Crush Sleeve	1
12	16805	Seal, Front Pinion	1
18	30271	Nut, Pinion	1

Sealant, Marking Compound, Loctite, Brush Included

C7.25-SPGK - INTERNAL NEST KIT

Illust #	Part #	Description	Req
13	NSS	Gear, Side	2
14	NSS	Washer, Side Gear	2
15	NSS	Gear, Pinion	2
16	NSS	Washer, Pinion Gear	2
17	C 7.25-CS	Shaft, Pinion	1
20	4137026	Lockscrew	1

CHRYSLER 8.25"/8.375"



CHRYSLER 8 1/4"

Crown Diameter	8.25"
Crown Bolts	(10) 3/8" x 24 LH
Housing Bolts	10
Carrier Breaks	2.45/2.71
Pinion Spline	27, 1.626"

CHRYSLER 8.25" & 8.375" REAR DIFFERENTIAL

Illust #	Part #	Description	Req
1	C8.25-271	Crown & Pinion , 2.71 Ratio, Quality Gear	1
1	C8.25-294	Crown & Pinion , 2.94 Ratio, Quality Gear	1
1	C8.25-321	Crown & Pinion , 3.21 Ratio, Quality Gear	1
1	C8.25-355	Crown & Pinion , 3.55 Ratio, Quality Gear	1
1	C8.25-391	Crown & Pinion , 3.91 Ratio, Quality Gear	1
1	C8.25-410	Crown & Pinion , 4.10 Ratio, Quality Gear	1
1	C8.25-456	Crown & Pinion , 4.56 Ratio, Quality Gear	1
2	16044	Seal , Axle Shaft	2
3	6408	Bearing , Axle Shaft	2
4	4384220	Case , Empty	1
4	75101X	Differential Case Assembly , 27 Spline 1976-1997	1
4	84852	Diff Case Assembly 29 Spline 1997 & Up	1
21		Axle Shaft , Refer to Table	
20	2-4-5851-1	End Yoke , 1310 Series	1
NI	701046X	Clutch Kit OEM	1

R825R - MASTER REBUILD KIT

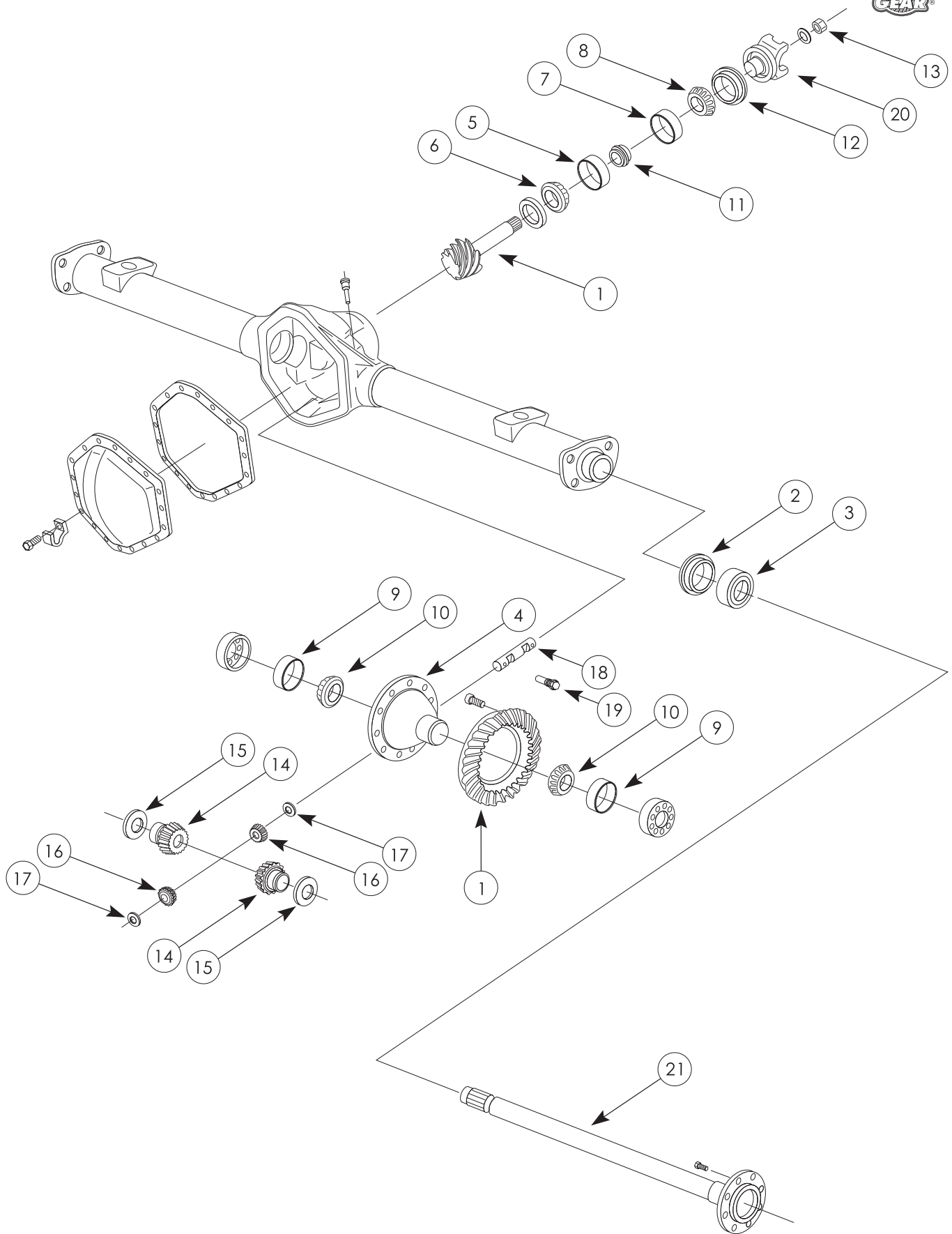
Illust #	Part #	Description	Req
5	M86610	Bearing , Outer Pinion (Cup)	1
6	M86649	Bearing , Outer Pinion (Cone)	1
7	M802011	Bearing , Inner Pinion (Cup)	1
8	M802048	Bearing , Inner Pinion (Cone)	1
9	LM603012	Bearing , Side Diff (Cup)	2
10	LM603049	Bearing , Side Diff (Cone)	2
11	3507575	Crush Sleeve	1
12	16805CR	Seal , Front Pinion	1
13	30271	Pinion Nut	1

Includes Sealant, Marking Compound, Loctite & Brush

C8.25-SPGK - INTERNAL NEST KIT (27 SPLINES) UP TO 1996

Illust #	Part #	Description	Req
14	NSS	Gear , Side	2
15	NSS	Washer , Side Gear	2
16	NSS	Gear , Pinion	2
17	NSS	Washer , Pinion Gear	2
18	C8.25-CS	Shaft , Pinion	1
19	14056196	Lockscrew	1




CHRYSLER 8.25"/8.375"



C8.25-SPGK29 - INTERNAL NEST KIT (29 SPLINES) 1997 & UP

Illust #	Part #	Description	Req
14	NSS	Gear , Side	2
15	NSS	Washer , Side Gear	2
16	NSS	Gear , Pinion	2
17	NSS	Washer , Pinion Gear	2
18	C8.25-CS	Shaft , Pinion	1
19	14056196	Lockscrew	1

LIMITED SLIPS AND LOCKERS AVAILABLE FOR CHRYSLER 8.25" & 8.375" ⁽¹⁾

Manufacturer	Part #	Description	R.G. Size	Ratios	Spline	Years
<i>Detroit Locker</i>	187C151A	Detroit Locker	8.25", 8.375"	All	27 Spline	1976 - 96
	187C179A	Detroit Locker	8.25", 8.375"	All	29 Spline	1997 & Up
<i>Detroit Truetrac</i>	913A553	Truetrac	8.25"	All	29 Spline	1997 - up
	542072	Auburn Gear Limited Slip (Street Series)	8.25", 8.375"	2.71 & Up	27 Spline	1966 - 96
	542074	Auburn Gear Limited Slip (Street Series)	8.25", 8.375"	2.71 & Up	29 Spline	1997 & Up
	RD93	ARB Airlocker ⁽²⁾	8.25"	All	29 Spline	1997 & Up
	RD112	ARB Airlocker ⁽³⁾	8.25"	All	27 Spline	1968 & 96
	1230	Lock-Right Locker	8.25", 8.375"	All	27 Spline	1976 - 96

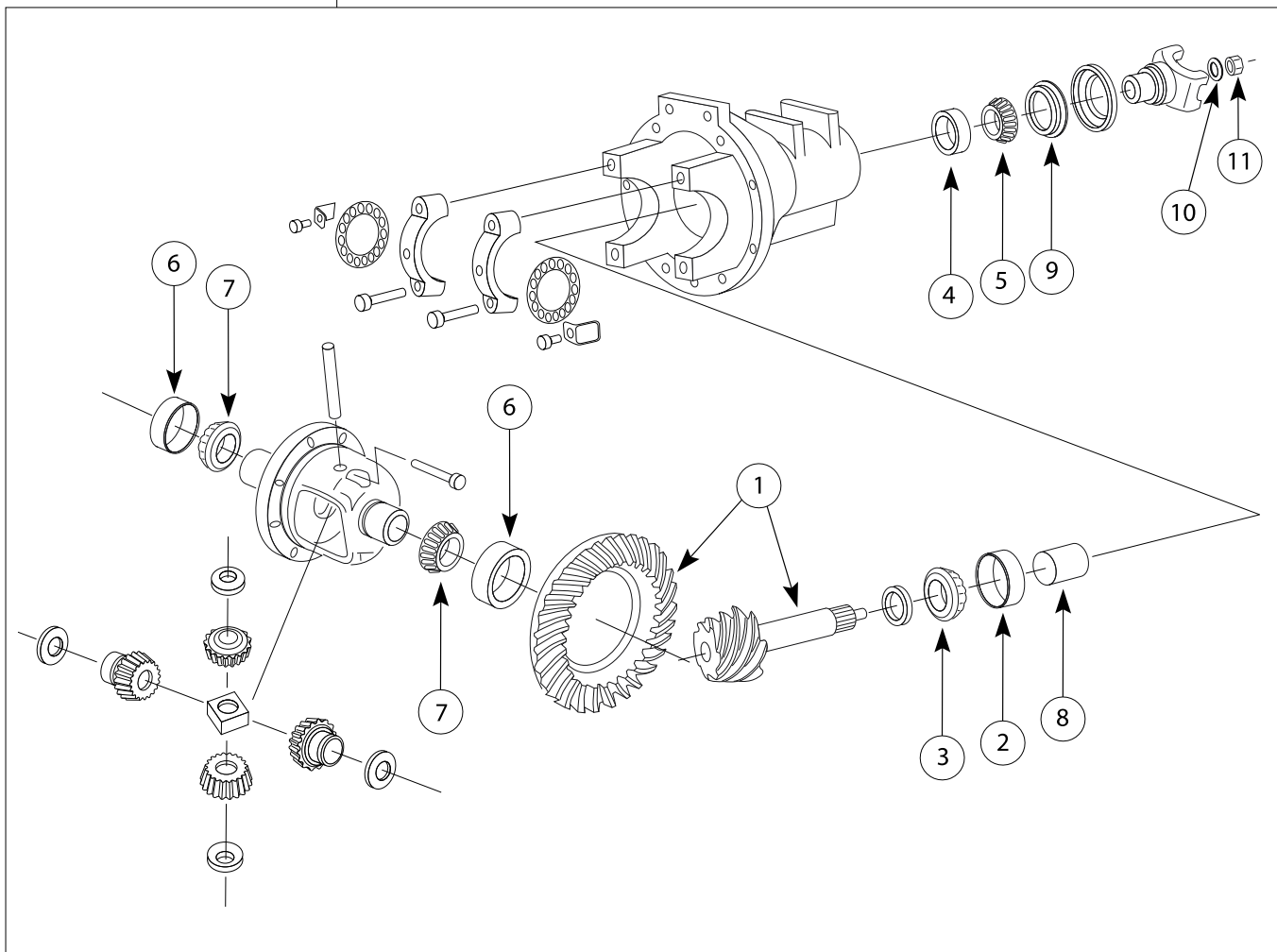
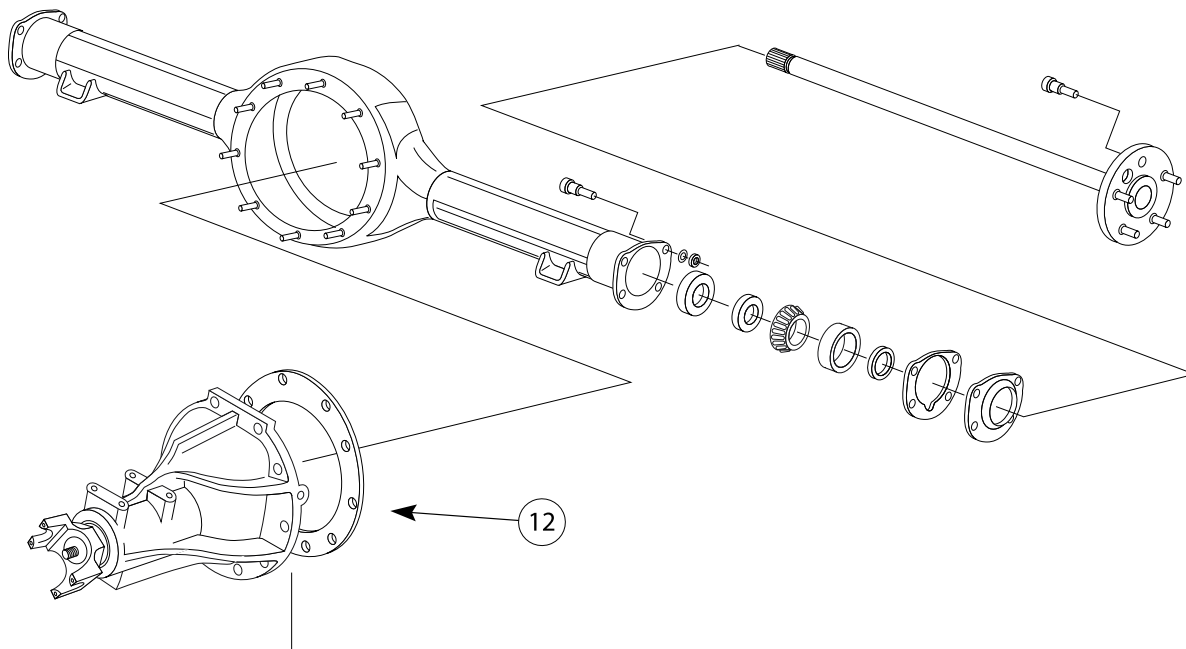
When installing a Limited Slip, Posi additive M-19546-A-1 is required.

(1) - Vehicles with a short wheel base may experience "understeer" characteristics with a locking differential installed.

(2) - Newer OEM 8.25" ring Gear may have 7/16" Bolts. Airlocker flange holes must be reamed larger to fit.

(3) - Pre-1997 8.25" axles with 27 spline axle shafts will accept newer, stronger 29 spline shafts if RD93 is used.

CHRYSLER 8 3/4"



CHRYSLER 8 3/4" Early 741 CASTING (1957-68)

Crown Diameter	8.75"
Crown Bolts	(12) 3/8" x 24 LH
Housing Bolts	10
Carrier Breaks	2.45/2.71
Pinion Spline	29, 1.375"

CHRYSLER 8 3/4" EARLY (741) STRAIGHT PINION - 29 SPLINE

Illust #	Part #	Description	Req
1	C8.75 - 355M	Crown & Pinion , 3.55 Ratio, Quality Gear	1
1	C8.75 - 391M	Crown & Pinion , 3.73 Ratio, Quality Gear	1

* Requires 2x 25520 & 2x 25590 Bearing


R875B OVERHAUL KIT

Illust #	Part #	Description	Req
2	HM89410	Bearing , Pinion Inner (Cup)	1
3	HM89446	Bearing , Pinion Inner (Cone)	1
4	M88010	Bearing , Pinion Outer (Cup)	1
5	M88048	Bearing , Pinion Outer (Cone)	1
6	25520	Bearing , Side Diff (Cup)	2
7	25590	Bearing , Side Diff (Cone)	2
8	3102	Crush Sleeve	1
9	18708	Pinion Seal	1
10	30186	Washer	1
11	30185	Pinion Nut	1
12	187155	Gasket	1

Marking Compound, Loctite, Shim Set & Brush included

* Please have customer confirm Differential Side Bearings. May have to purchase separately

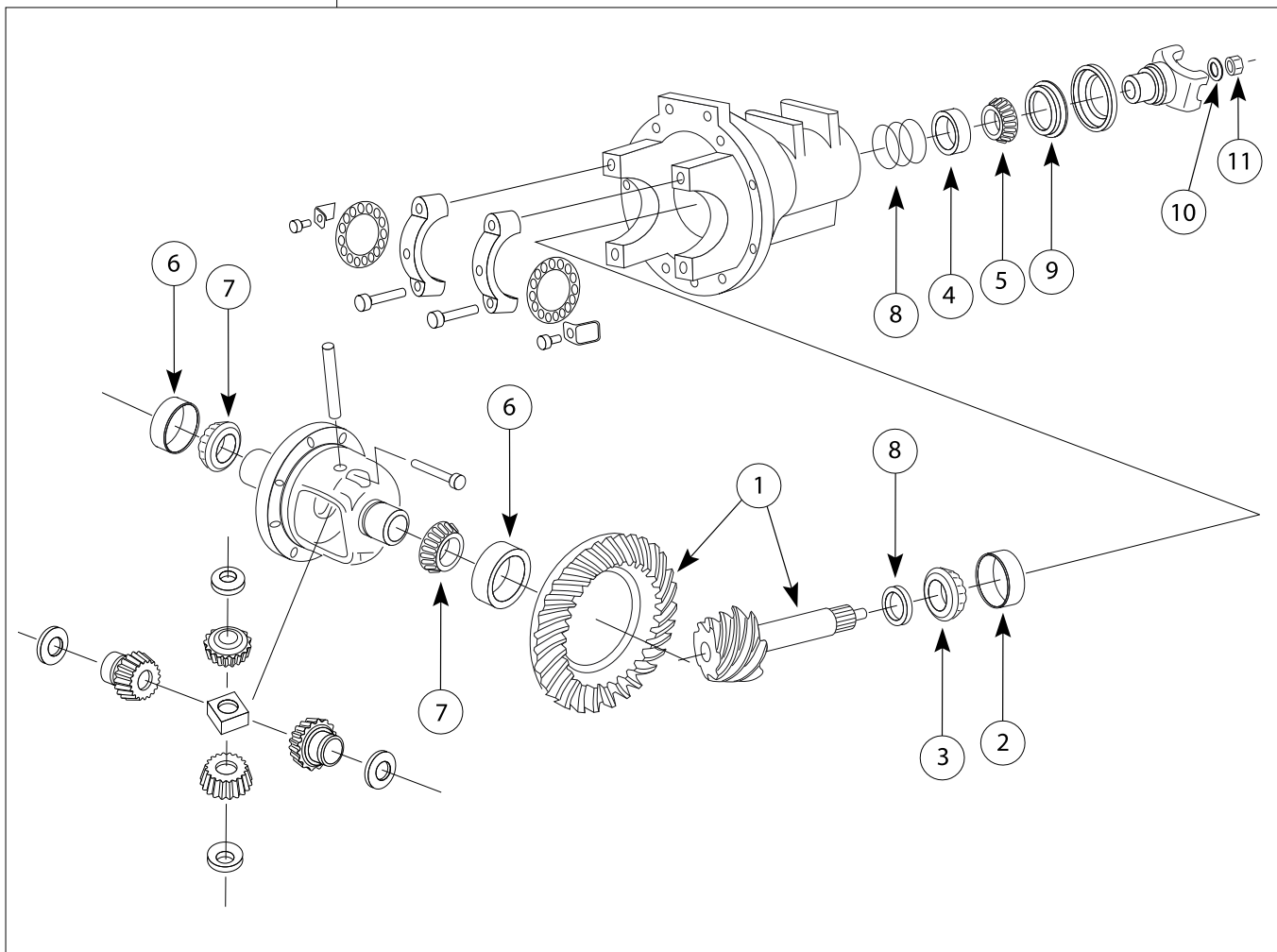
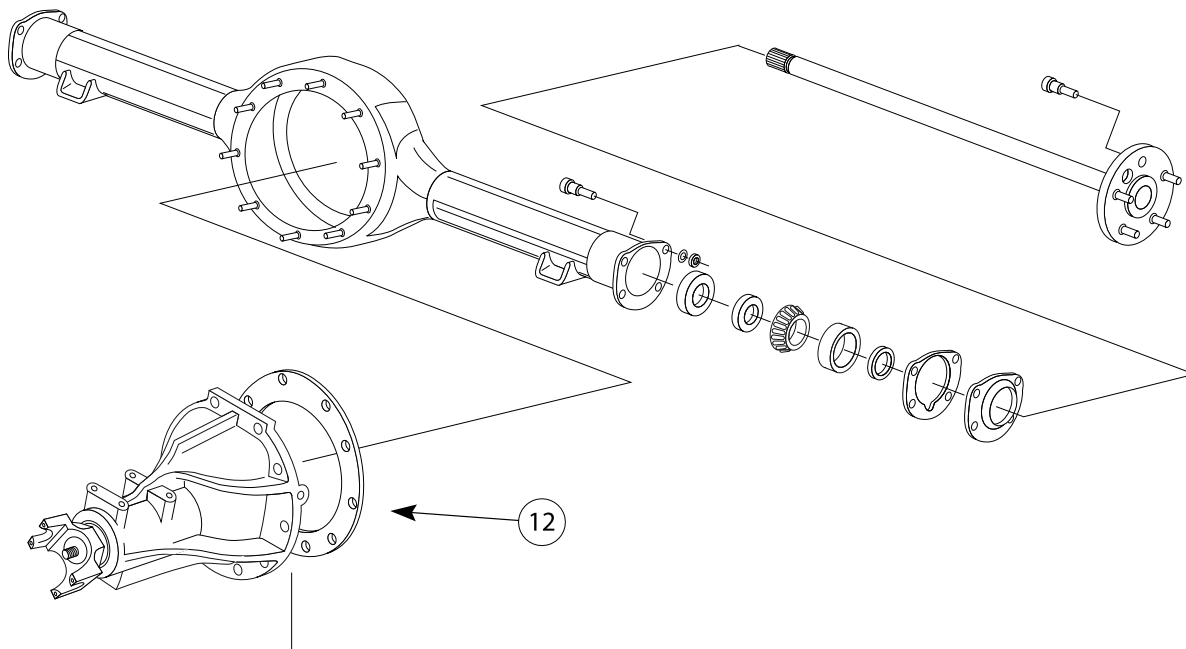
LIMITED SLIPS AND LOCKERS AVAILABLE FOR CHRYSLER 8 3/4" (1)

Manufacturer	Part #	Description	R.G. Size	Ratios	Spline	Years
<i>Detroit Locker</i>	187SL14A	Detroit Locker	8 3/4"	2.76 - 4.56	30 Spline	1950 - 70's
<i>Detroit Truetrac</i>	913A572	Truetrac	8 3/4"	2.76 - 4.56	30 Spline	1969 - 74
	913A583	Truetrac*	8 3/4"	2.76 - 4.56	33 Spline	1969 - 74
	542051	Auburn Gear Limited Slip (Pro Series)	8 3/4"	2.76 - 6.14	30 Spline	1957 - 74
	544822	Auburn Racing Spool	8 3/4"	All	33 Spline	1957 - 74
	544808	Auburn Mini Spool	8 3/4"	All	30 Spline	1957 - 74

When installing a Limited Slip, Posi additive M-19546-A-1 is required.

* 33 Spline units are made to fit axles cut with 45 degree pressure angle.

CHRYSLER 8 3/4"



CHRYSLER 8 3/4" Early 742 CASTING (1957-68)

Crown Diameter	8.75"
Crown Bolts	(12) 3/8" x 24 LH
Housing Bolts	10
Carrier Breaks	2.45/2.71
Pinion Spline	10, 1.750"

CHRYSLER 8 3/4" EARLY (742) STRAIGHT PINION - 10 SPLINE

Illust #	Part #	Description	Req
1	C8.75 - 355E	Crown & Pinion , 3.55 Ratio, Quality Gear	1
1	C8.75 - 391E	Crown & Pinion , 3.91 Ratio, Quality Gear	1
1	C8.75 - 410E	Crown & Pinion , 4.10 Ratio, Quality Gear	1
1	C8.75 - 486E	Crown & Pinion , 4.86 Ratio, Quality Gear	1
1	C8.75 - 513E	Crown & Pinion , 5.13 Ratio, Quality Gear	1

R875RA OVERHAUL KIT*

Illust #	Part #	Description	Req
2	HM803110	Bearing , Pinion Inner (Cup)	1
3	HM803149	Bearing , Pinion Inner (Cone)	1
4	HM89410	Bearing , Pinion Outer (Cup)	1
5	HM89443	Bearing , Pinion Outer (Cone)	1
6	25520	Bearing , Side Diff (Cup)	2
7	25590	Bearing , Side Diff (Cone)	2
8	181171	Shim Set	1
8	183071	Shim Set	1
10	30186	Pinion Washer	1
11	18912	Seal	1
11	30185	Pinion Nut	1
12	187155	Gasket	1

Marking Compound, Loctite, Shim Set & Brush included

* Please have customer confirm Differential Side Bearings. May have to purchase separately

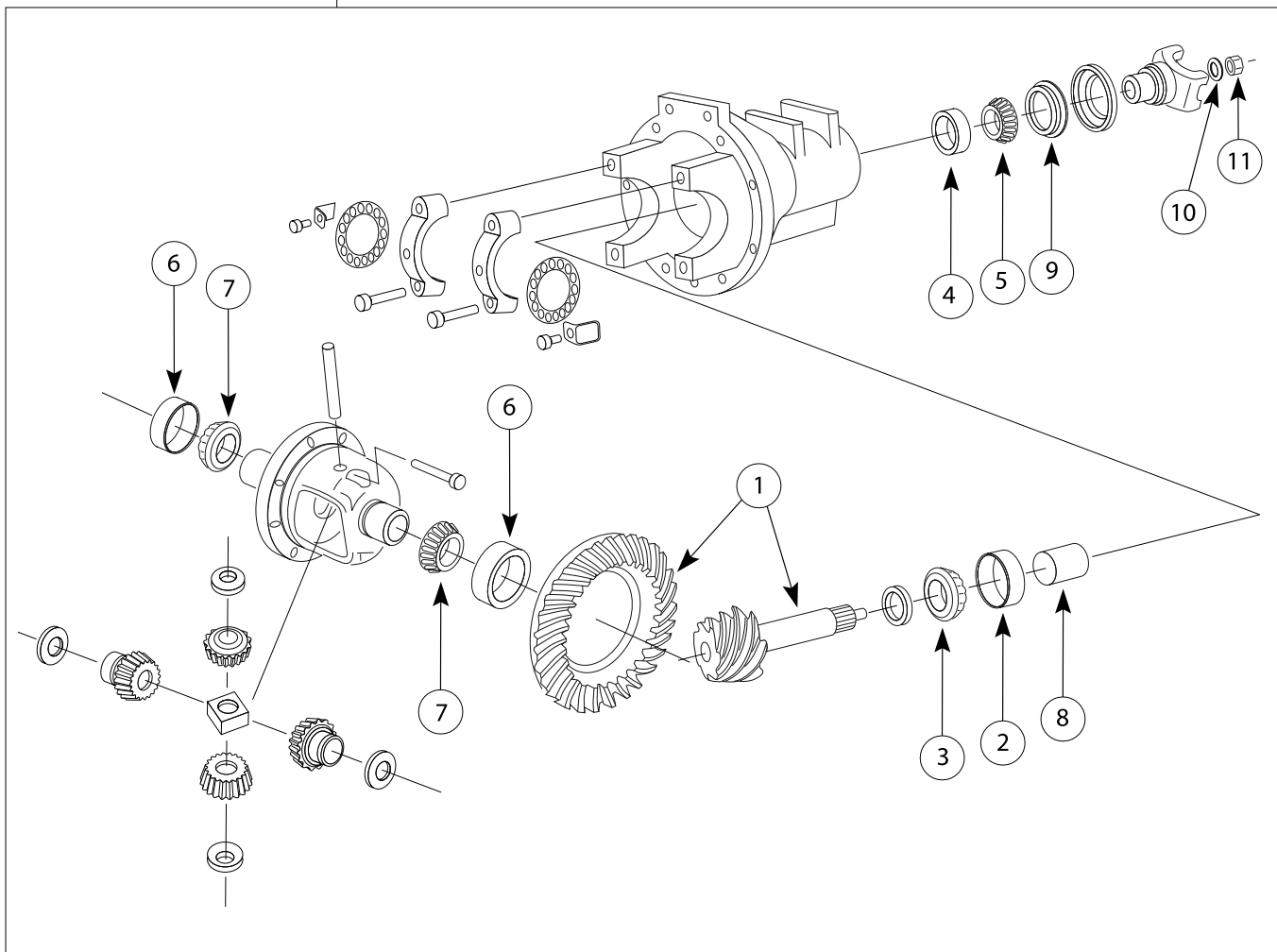
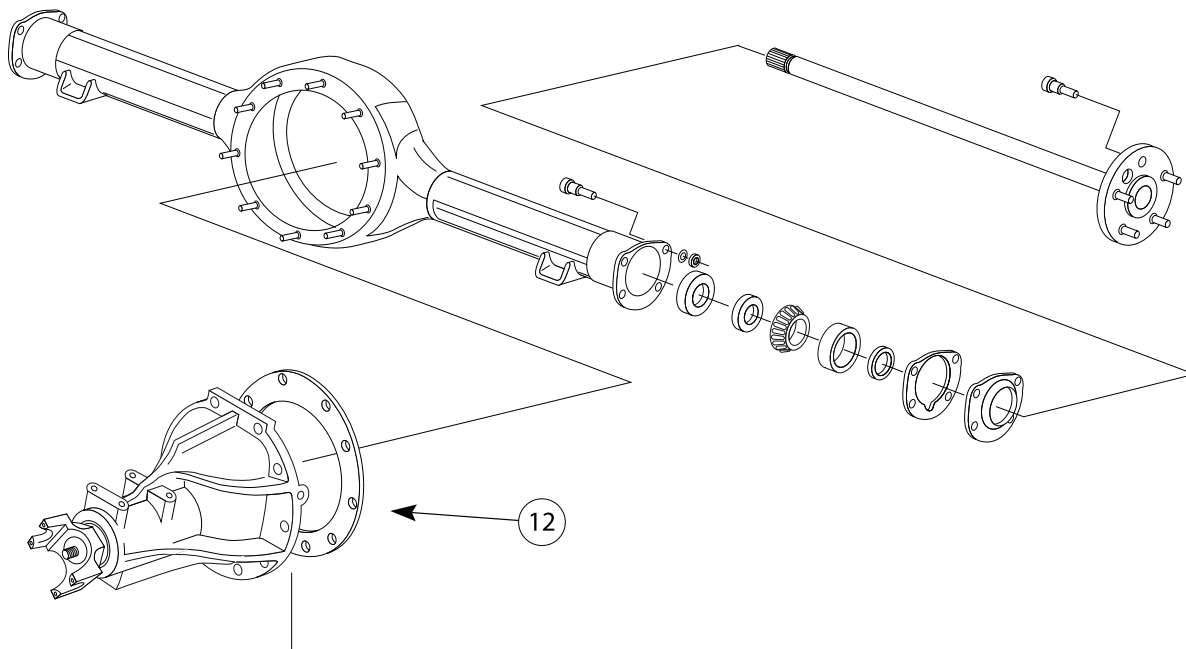
LIMITED SLIPS AND LOCKERS AVAILABLE FOR CHRYSLER 8.25" & 8.375" ⁽¹⁾

Manufacturer	Part #	Description	R.G. Size	Ratios	Spline	Years
<i>Detroit Locker</i>	187SL14A	Detroit Locker	8 3/4"	2.76 - 4.56	30 Spline	1950 - 70's
<i>Detroit Truetrac</i>	913A572	Truetrac	8 3/4"	2.76 - 4.56	30 Spline	1969 - 74
	913A583	Truetrac*	8 3/4"	2.76 - 4.56	33 Spline	1969 - 74
<i>Auburn Gear</i>	542051	Auburn Gear Limited Slip (Pro Series)	8 3/4"	2.76 - 6.14	30 Spline	1957 - 74
	544822	Auburn Racing Spool	8 3/4"	All	33 Spline	1957 - 74
	544808	Auburn Mini Spool	8 3/4"	All	30 Spline	1957 - 74

When installing a Limited Slip, Posi additive M-19546-A-1 is required.

* 33 Spline units are made to fit axles cut with 45 degree pressure angle.

CHRYSLER 8 3/4"



CHRYSLER 8 3/4" LATE 489 CASTING (1969-74)

Crown Diameter	8.75"
Crown Bolts	(12) 3/8" x 24 LH
Housing Bolts	10
Carrier Breaks	2.45/2.71
Pinion Spline	10, 1.875"

Chrysler 8 3/4" Late (489) Tapered Pinion - 10 Spline

Illust #	Part #	Description	Req
1	C8.75 - 355L	Crown & Pinion , 3.55 Ratio, Quality Gear	1
1	C8.75 - 391L	Crown & Pinion , 3.91 Ratio, Quality Gear	1
1	C8.75 - 410L	Crown & Pinion , 4.10 Ratio, Quality Gear	1
1	C8.75 - 430L	Crown & Pinion , 4.30 Ratio, Quality Gear	1
1	C8.75 - 456L	Crown & Pinion , 4.56 Ratio, Quality Gear	1
1	C8.75 - 486L	Crown & Pinion , 4.86 Ratio, Quality Gear	1
1	C8.75 - 513L	Crown & Pinion , 5.13 Ratio, Quality Gear	1
1	C8.75 - 538L	Crown & Pinion , 5.38 Ratio, Quality Gear	1


R875R OVERHAUL KIT 1969-1974*

Illust #	Part #	Description	Req
2	M804010	Bearing , Pinion Inner (Cup)	1
3	M804049	Bearing , Pinion Inner (Cone)	1
4	M88010	Bearing , Pinion Outer (Cup)	1
5	M88048	Bearing , Pinion Outer (Cone)	1
6	LM104912	Bearing , Side Diff (Cup)	2
7	LM104949	Bearing , Side Diff (Cone)	2
8	3102	Crush Sleeve	1
9	34205	Pinion Seal	1
10	30186	Washer	1
11	30185	Pinion Nut	1
12	5101	Gasket	1

Marking Compound, Loctite, Shim Set & Brush included

* Please have customer confirm Differential Side Bearings. May have to purchase separately

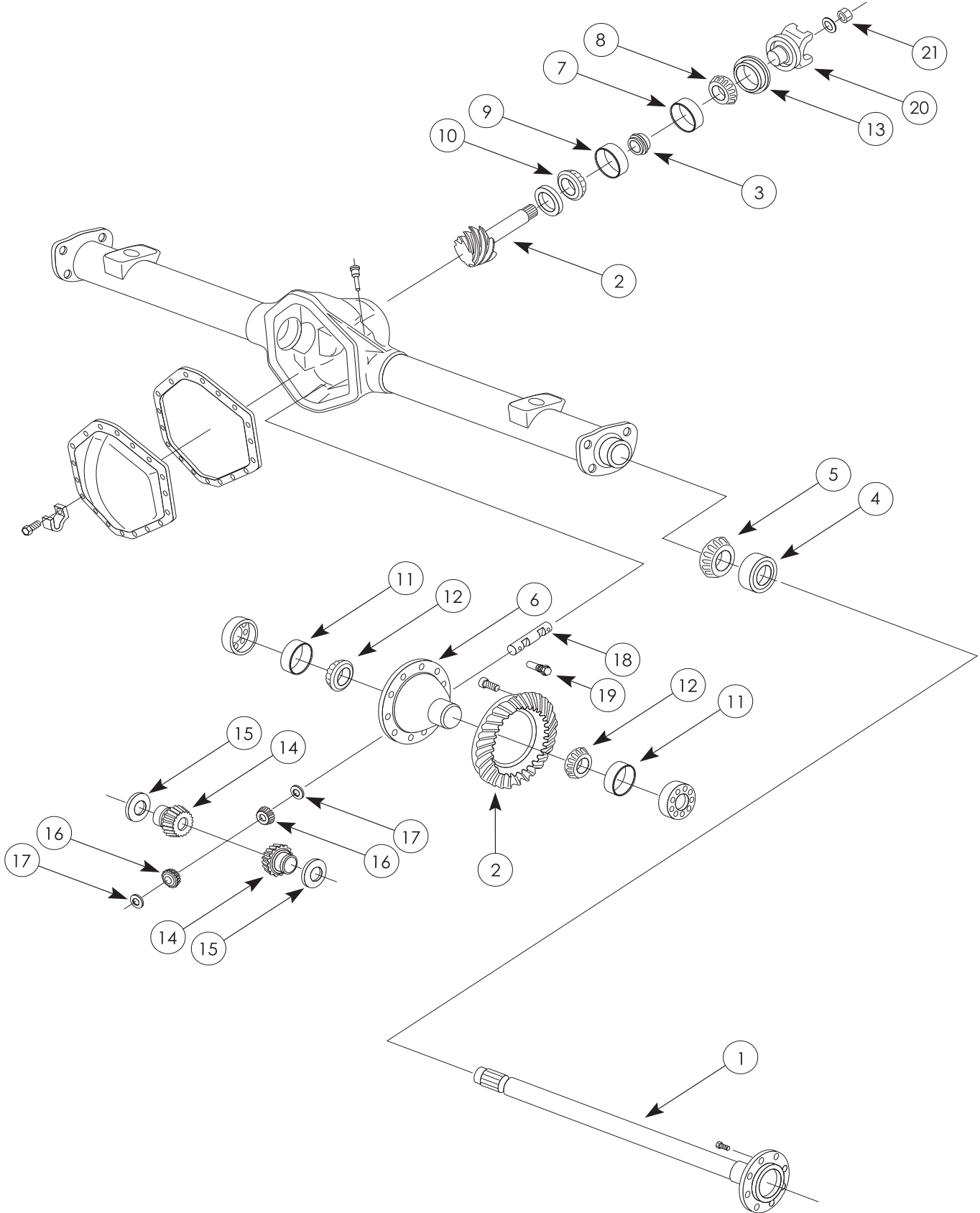
LIMITED SLIPS AND LOCKERS AVAILABLE FOR CHRYSLER 8.25" & 8.375" ⁽¹⁾

Manufacturer	Part #	Description	R.G. Size	Ratios	Spline	Years
<i>Detroit Locker</i>	187SL14A	Detroit Locker	8 3/4"	2.76 - 4.56	30 Spline	1950 - 70's
<i>Detroit Truetrac</i>	913A572	Truetrac	8 3/4"	2.76 - 4.56	30 Spline	1969 - 74
	913A583	Truetrac*	8 3/4"	2.76 - 4.56	33 Spline	1969 - 74
	542051	Auburn Gear Limited Slip (Pro Series)	8 3/4"	2.76 - 6.14	30 Spline	1957 - 74
	544822	Auburn Racing Spool	8 3/4"	All	33 Spline	1957 - 74
	544808	Auburn Mini Spool	8 3/4"	All	30 Spline	1957 - 74

When installing a Limited Slip, Posi additive M-19546-A-1 is required.

* 33 Spline units are made to fit axles cut with 45 degree pressure angle.

CHRYSLER 9 1/4"



CHRYSLER 9 1/4"

Crown Diameter	9.25"
Crown Bolts	(12) 7/16" x 18 LH
Housing Bolts	12
Carrier Breaks	None
Pinion Spline	29, 1.875"

CHRYSLER 9 1/4" REAR

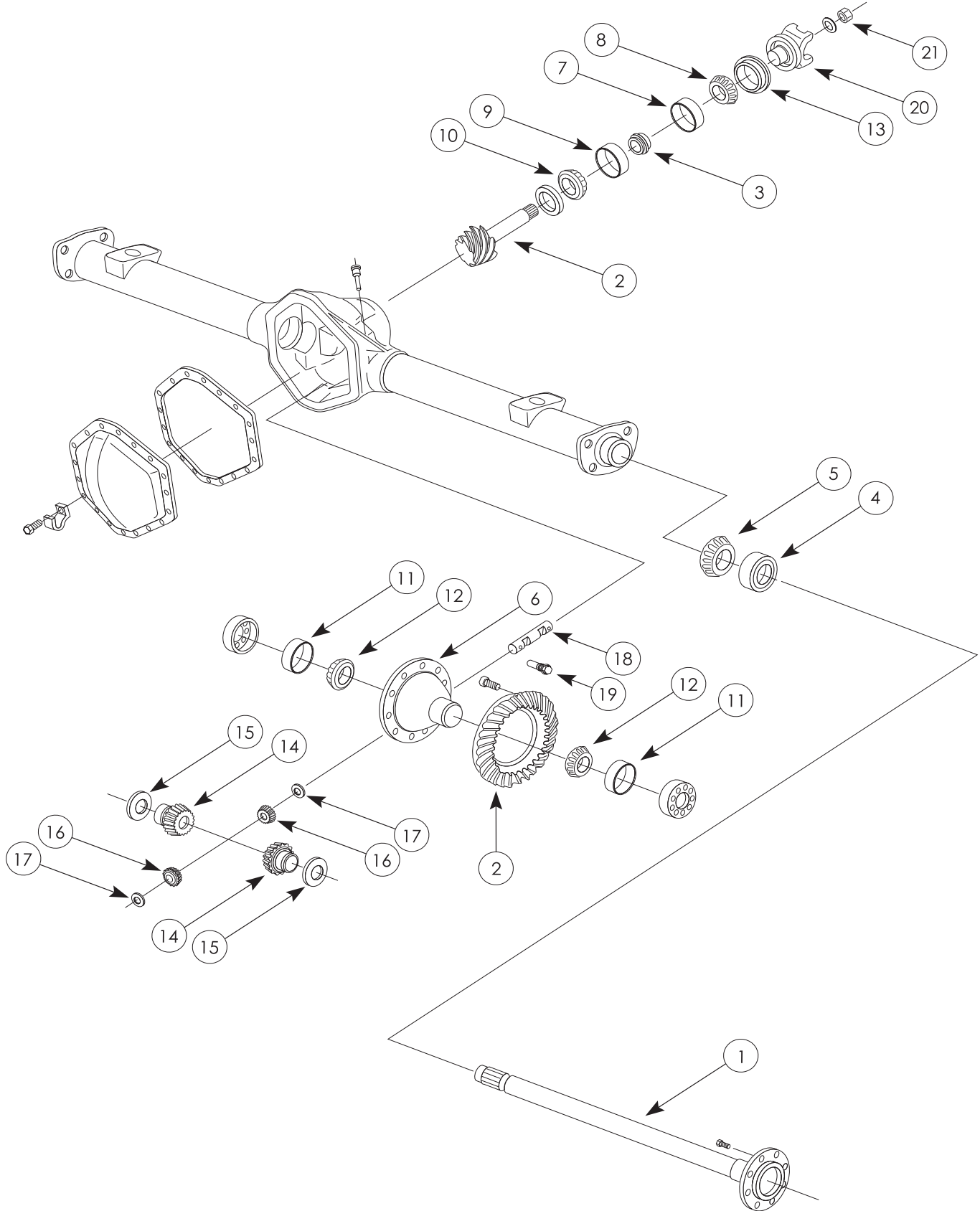
Illust #	Part #	Description	Req
1		Axle Shaft , Refer to Table	
2	C9.25-321	Crown & Pinion , 3.21 Ratio, Quality Gear	1
2	C9.25-355	Crown & Pinion , 3.55 Ratio, Quality Gear	1
2	C9.25-391	Crown & Pinion , 3.91 Ratio, Quality Gear	1
2	C9.25-410	Crown & Pinion , 4.10 Ratio, Quality Gear	1
2	C9.25-456	Crown & Pinion , 4.56 Ratio, Quality Gear	1
3	3507678	Crush Sleeve	1
4	16044	Seal , Axle Shaft	2
4	17100	Seal , Axle Shaft (Heavy Duty)	2
5	6408	Bearing , Axle Shaft	2
5	R1561TV	Bearing , Axle Shaft (Heavy Duty)	2
6	4384222	Case , Empty	1
6	80754	Case , Loaded Trac-Lock Clutch Type	1
20	2604-29	End Yoke , 7260 Series	1
20	2904-29	End Yoke , 7290 Series	1
NI	C9.25-CPK	Clutch Kit	1
NI	706352X	Clutch Kit (OEM)	1

RA925R - BEARING KIT

Illust #	Part #	Description	Req
7	M88010	Bearing , Outer Pinion (Cup)	1
8	M88048	Bearing , Outer Pinion (Cone)	1
9	M804010	Bearing , Inner Pinion (Cup)	1
10	M804049	Bearing , Inner Pinion (Cone)	1
11	JLM704610	Bearing , Side Diff (Cup)	2
12	JLM704649	Bearing , Side Diff (Cone)	2
13	18708	Seal , Front Pinion	1

Includes Sealant

CHRYSLER 9 1/4"



R925R - OVERHAUL KIT 1989 & up





Illust #	Part #	Description	Req
3	3507678	Crush Sleeve	1
7	M88010	Bearing , Pinion Outer (Cup)	1
8	M88048	Bearing , Pinion Outer (Cone)	1
9	M804010	Bearing , Pinion Inner (Cup)	1
10	M804049	Bearing , Pinion Inner (Cone)	1
11	JLM 704610	Bearing , Side Diff (Cup)	2
12	JLM 704649	Bearing , Side Diff (Cone)	2
13	18708	Seal , Pinion	1
21	30271	Nut , Pinion	1

Sealant, Loctite, Marking Compound, Brush and Shim Kit Included

C9.25-SPGK - INTERNAL NEST KIT (31 SPLINE)

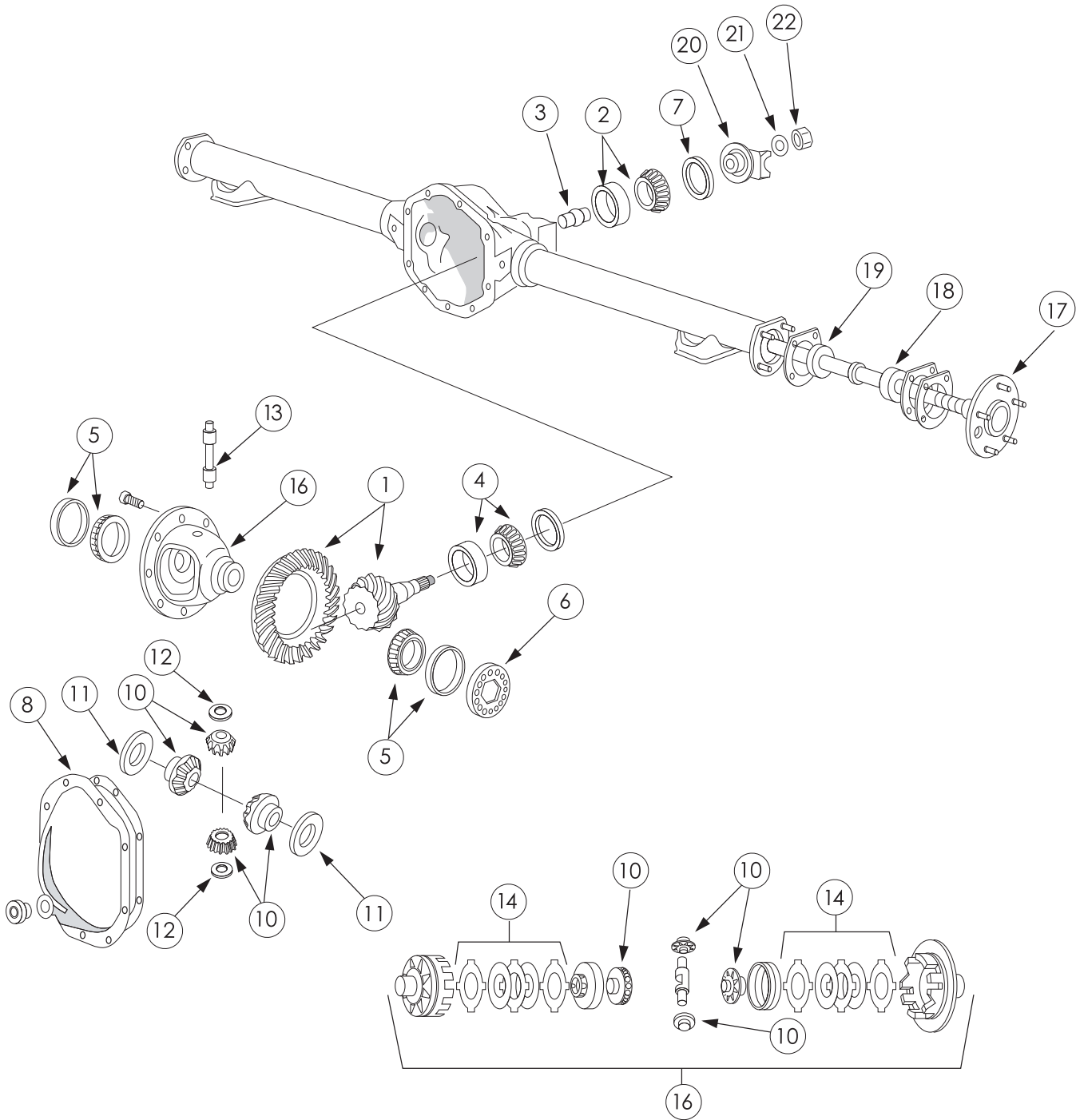
Illust #	Part #	Description	Req
14	-	Gear , Side	2
15	-	Washer , Side Gear	2
16	-	Gear , Pinion	2
17	-	Washer , Pinion Gear	2
18	C9.25-CS	Shaft , Pinion	1
19	14056196	Lockscrew	1

LIMITED SLIPS AND LOCKERS AVAILABLE FOR CHRYSLER 9 1/4"

Manufacturer	Part #	Description	R.G. Size	Ratios	Spline	Years
	187C172A	Detroit Locker	9 1/4	2.76 - 4.56	31 Spline	1977 & Up
	913A368	Truetrac	9 1/4"	2.76 - 4.56	31 Spline	1974 & Up
	542071	Auburn Gear Limited Slip (Street Series)	9 1/4	2.71 - 4.10	31 Spline	1968 - 1983
	542070	Auburn Gear Limited Slip (Street Series)	9 1/4	2.71 - 4.10	31 Spline	1984 & Up
	1220	Lock-Right Locker	9 1/4	All	31 Spline	1973 & Up

When installing a Limited Slip, Posi additive M-19546-A-1 is required.

DODGE RAM 2500 10.5"



DODGE RAM 10 1/2"

Crown Diameter	10.5"
Crown Bolts	12
Cover Bolts	14
Carrier Breaks	None
Pinion Spline	30

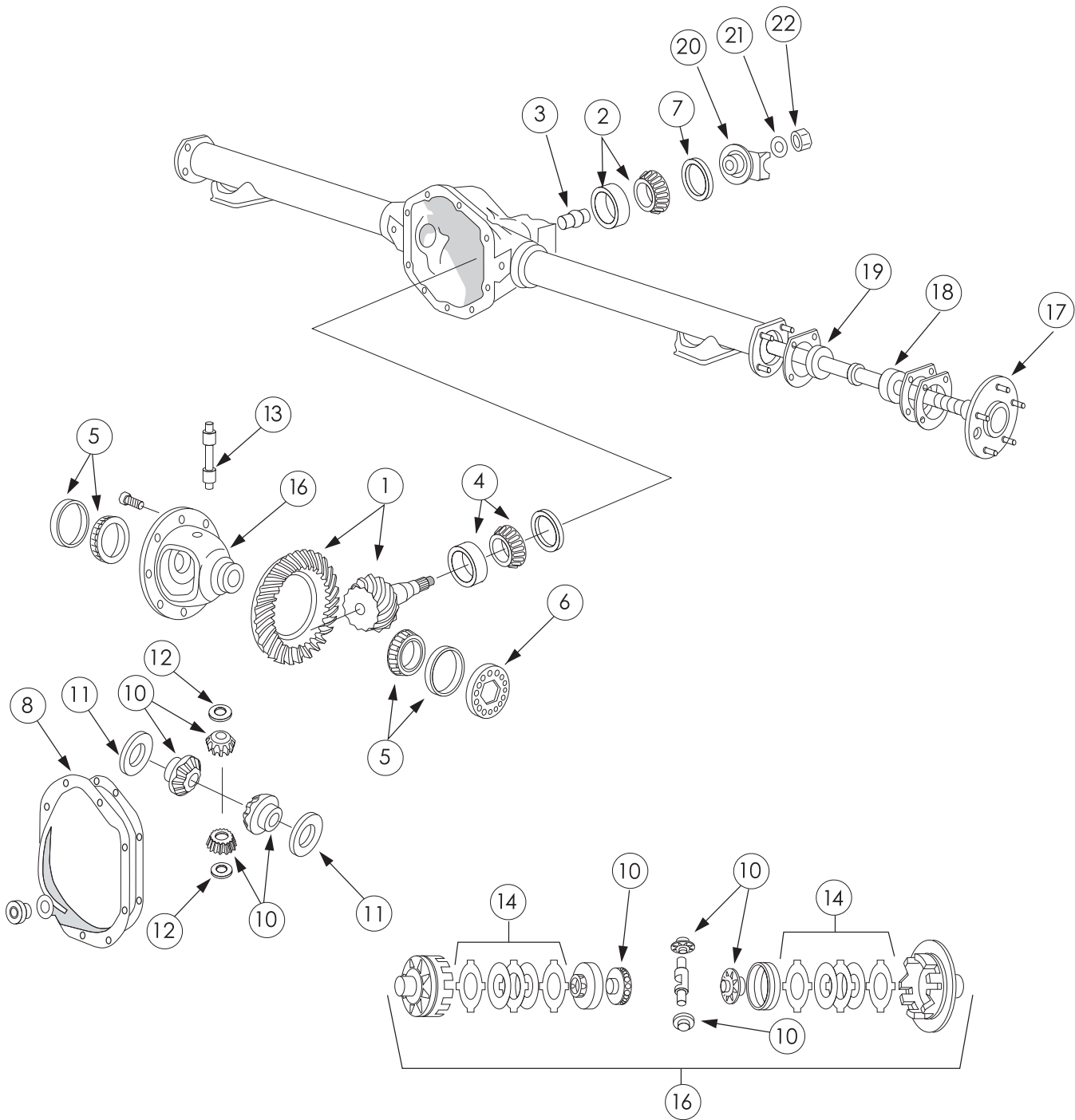
DODGE RAM 2500 10.5" (AAM) 2003+ (REAR)

Illust #	Part #	Description	Req
1	C10.5-373	Crown & Pinion - 3.73 Ratio	1
1	C10.5-410	Crown & Pinion - 4.10 Ratio	1
1	C10.5-456	Crown & Pinion - 4.56 Ratio	1
6	5086788AA	Differential Bearing Adjuster	2
8	5086801AB	Differential Housing Cover	1
14	NSS	Clutch Pack , (with #16)	1
16	5175301AA	Loaded Posi Inner Case Assembly (Electric)	1
16	5086807AA	Loaded Posi Inner Case Assembly (Helical)	1
16	5086790AA	Open Differential (Loaded)	1
16	40008168	Empty Diff Case	1
17		Axle Shaft , Refer to Table	
20	5086802AB	Yoke , w/o Damper	1
20	5127609AA	Yoke , w/o Damper	1
23	5086783AB	Ring Gear Bolt	12

R1050-D OVERHAUL KIT DODGE RAM 2500 (2003 & UP)

Illust #	Part #	Description	Req
2	M802011	Bearing , Outer Pinion (Cup)	1
2	M802048	Bearing , Outer Pinion (Cone)	1
3	40010207	Crush Sleeve	1
4	NP284552	Bearing , Inner Pinion (Cup)	1
4	NP598002	Bearing , Inner Pinion (Cone)	1
5	382A	Bearings , Differential Side (Cup)	2
5	387AS	Bearings , Differential Side (Cone)	2
7	26064030	Pinion Seal	1
21	40003255	Washer Pinion	1
22	12471484	Pinion Nut	1

DODGE RAM 2500 10.5"



RA1050D OVERHAUL KIT (2003 & UP)

Illust #	Part #	Description	Req
2	M802011	Bearing , Outer Pinion (Cup)	1
2	M802048	Bearing , Outer Pinion (Cone)	1
4	NP284552	Bearing , Inner Pinion (Cup)	1
4	NP598002	Bearing , Inner Pinion (Cone)	1
5	382A	Bearings , Differential Side (Cup)	2
5	387AS	Bearings , Differential Side (Cone)	2
7	26064030	Pinion Seal	1
21	40003255	Washer Pinion	1

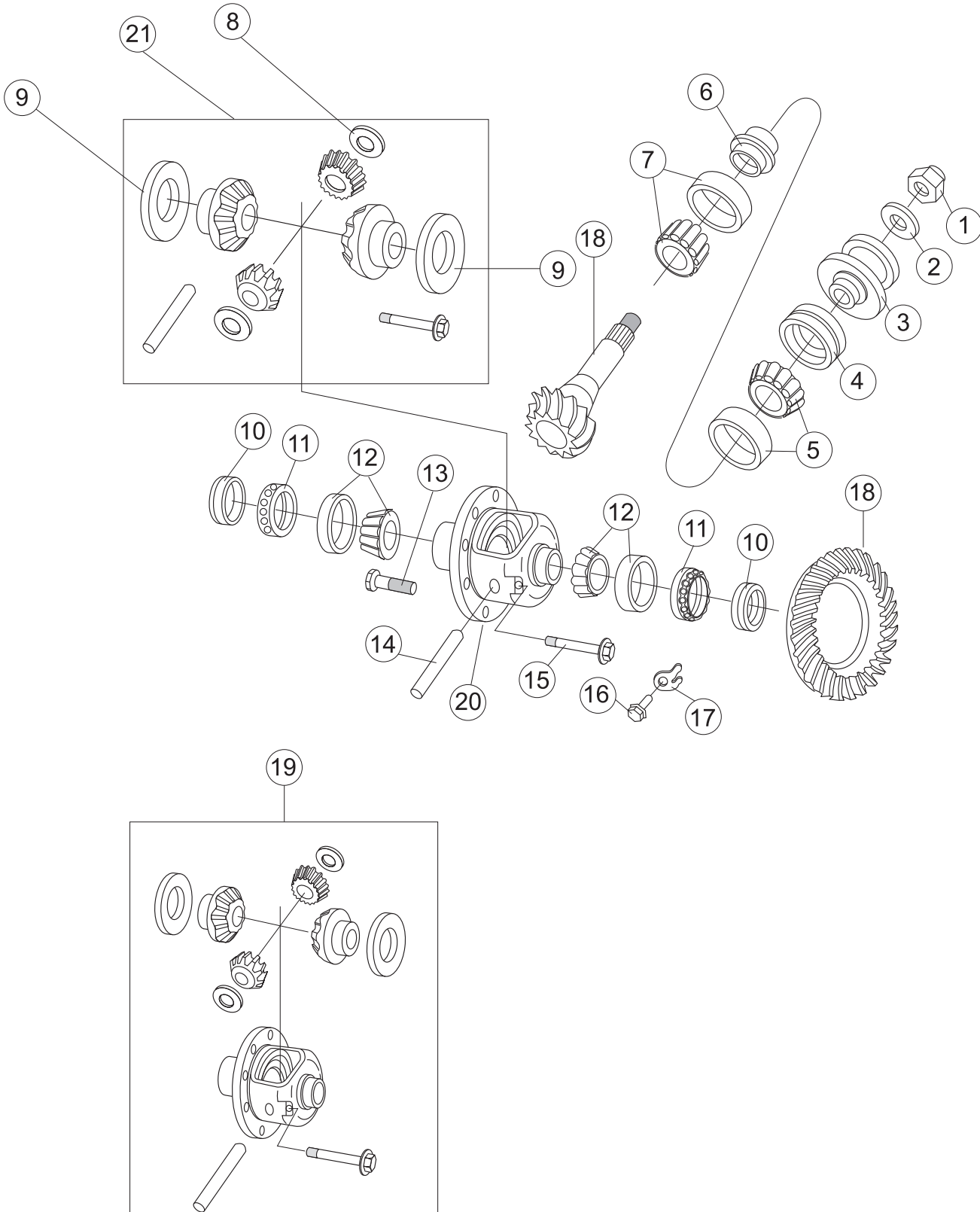
C10.5-SPGK - INTERNAL NEST KIT (30 SPLINE)

Illust #	Part #	Description	Req
10	40008556	Side Gears	2
10	40008554	Pinion Gears	2
11	5096111AA	Side Gear Washers	2
12	5096110AA	Pinion Gear Washers	2
13	5086793AA	Cross Shaft	1
NI	5086791AA	Cross Shaft Retaining Ring	1

OEM KIT only contains gears and washers.

QG KIT is a complete internal kit

DODGE RAM 2500 & 3500, 9.25" Front (AAM) 2003+



DODGE RAM 9 1/4"

Crown Diameter	9.25"
Crown Bolts	12
Cover Bolts	14
Carrier Breaks	
Pinion Spline	33

Dodge Ram 2500 & 3500, 9.25 Front (AAM) 2003 & Up

Illust #	Part #	Description	Req
2	5086703AA	Pinion Yoke Washer	1
10	5086686AA	Axle Shaft Seal	2
11	5086699AA	Differential Bearing Adjuster	2
12	JLM506849A	Differential Side Bearing (Cone)	2
13	14012703	Ring Gear Bolt	12
16	5086695AA	Bearing Adjuster Lock Bolt	2
17	5086687AA	Bearing Adjuster Lock	2
18	C9.25-373F	Crown & Pinion - 3.73 Ratio	1
18	C9.25-410F	Crown & Pinion - 4.10 Ratio	1
18	C9.25-456F	Crown & Pinion - 4.56 Ratio	1
19	12471387	Locking Differential (Loaded)	1
19	14038087 & GM9.5-SPGK	Open Differential (Loaded)	1
20	14038087	Empty Diff Case	1
NI	5086696AA	Yoke, Companion Flange	1

R1495 OVERHAUL KIT

Illust #	Part #	Description	Req
1	1260823	Pinion Nut	1
4	19314	Pinion Seal	1
5	HM88610	Bearing, Outer Pinion (Cup)	1
5	HM88649	Bearing, Outer Pinion (Cone)	1
6	14012691	Crush Collar	1
7	HM804810	Bearing, Inner Pinion (Cup)	1
7	HM804846	Bearing, Inner Pinion (Cone)	1
12	JLM506811	Diff Bearings Side (Cup)	2
12	JLM506849A	Diff Bearings Side (Cone)	2

Marking Compound, Sealant, Loctite, Brush, Gasket and Shim Kit Included


New style Seal 26064029 - may need to purchase separate

GM9.5-SPGK INTERNAL NEST KIT

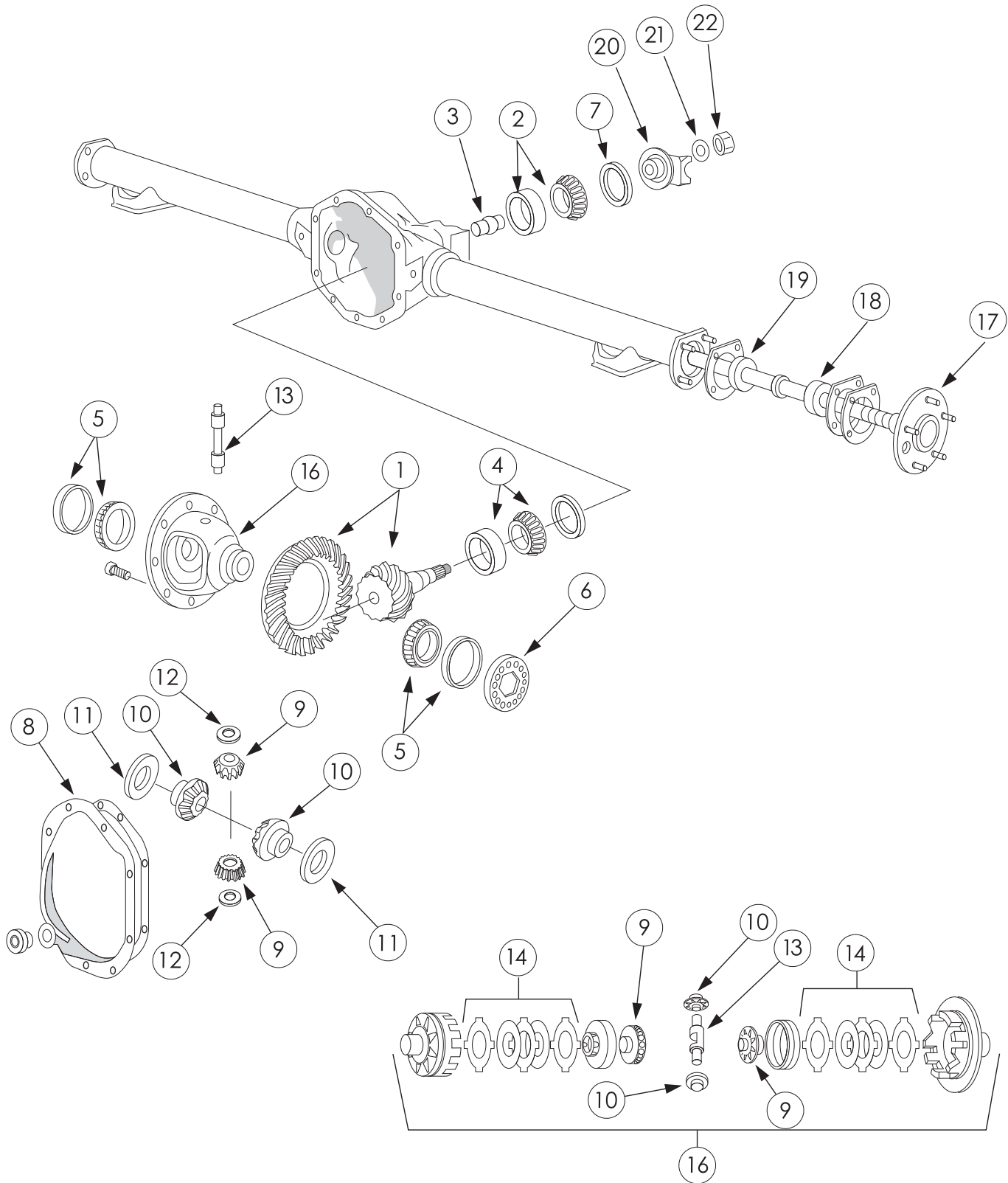
Illust #	Part #	Description	Req
8	14012699	Pinion Gear Washers	2
9	12337937	Side Gear Washers	2
14	14012700	Cross Shaft	1
15	12337979	Pinion Shaft	1
21	26051485	Side Gears	2
21	26051484	Pinion Gears	2

OEM KIT only contains gears and washers

LIMITED SLIPS AND LOCKERS AVAILABLE FOR FORD 9"

Manufacturer	Part #	Description	R.G. Size	Ratios	Spline	Years
	RD51	ARB Airlocker	9.25"	All	33 Spline	2003 & Up

DODGE RAM 3500 11.5" (AAM) 2003+



DODGE RAM 11 1/2"

Crown Diameter	11.5"
Crown Bolts	12
Cover Bolts	14
Carrier Breaks	None
Pinion Spline	30

Dodge Ram 3500, 11.5" (AAM) 2003+

Illust #	Part #	Description	Req
1	GM11.5-373*	Crown & Pinion - 3.73 Ratio	1
1	GM11.5-410*	Crown & Pinion - 4.10 Ratio	1
1	GM11.5-463*	Crown & Pinion - 4.63 Ratio	1
1	GM11.5-488*	Crown & Pinion - 4.88 Ratio	1
1	GM11.5-513*	Crown & Pinion - 5.13 Ratio	1
6	5086908AA	Differential Bearing Adjuster	2
8	5086904AB	Differential Housing Cover	1
14	NSS	Clutch Pack (with #16)	1
16	5086962AA	Loaded Posi Inner Case Assembly (Helical)	1
16	5086915AB	Open Differential (Loaded)	1
16	40023074	Empty Diff. Case	1
17		Axle Shaft , Refer to Table	
20	5086802AB	Yoke , without Damper	1
20	5127609AA	Yoke , with Damper	1
21	5086781AA	Pinion Yoke Washer	1
23	5086783AB	Ring Gear Bolt	12

* Many parts are the same as GM 11.5

R1150 30 SPLINE MASTER REBUILD KIT

Illust #	Part #	Description	Req
2	HM807010	Inner Pinion Bearing (Cup)	1
2	HM807046	Inner Pinion Bearing (Cone)	1
3	12471647	Crush Sleeve	1
4	NP457992	Outer Pinion Bearing	1
4	NP926068	Outer Pinion Bearing	1
5	3920	Diff Side Bearing (Cup)	2
5	3984	Diff Side Bearing (Cone)	2
7	26064030	Pinion Seal	1
22	GM11	Nut Pinion	1

C11.5 - SPGK

Illust #	Part #	Description	Req
9	40023192	Side Gears Dodge only	2
10	26062828	Pinion Gears same as GM 11.5"	2
11	5096121AC	Side Gear Washers Dodge only	2
12	40002212	Pinion Gear Washers same as GM 11.5"	2
13	40007448	Cross Shaft same as GM 11.5"	1
NI	NSS	Retaining Ring same as GM 11.5"	1

OEM KIT only contains gears and washers.
QG KIT is a complete internal kit

TOYOTA



TOYOTA 7 1/2"

Crown Diameter	7.5"
Crown Bolts	(10) 11 mm x 1.0mm
Cover Bolts	8
Carrier Breaks	None
Pinion Spline	27, 1.378"

TOYOTA 7.5" (190mm)

Part #	Description	Req
TOY7-411	Crown & Pinion , 4.11 Ratio, Quality Gear	1
TOY7-456	Crown & Pinion , 4.56 Ratio, Quality Gear	1
TOY7-488	Crown & Pinion , 4.88 Ratio, Quality Gear	1
TOY7-529	Crown & Pinion , 5.29 Ratio, Quality Gear	1
TOY7-571	Crown & Pinion , 5.71 Ratio, Quality Gear	1

TOYOTA 7 1/2" IFS

Crown Diameter	7.5"
Crown Bolts	(10) 11mm x 1.0mm
Cover Bolts	10
Carrier Breaks	None
Pinion Spline	27, 1.378"

TOYOTA TACOMA 7.5" IFS

Part #	Description	Req
TOY7-456R	Crown & Pinion , 4.56 Ratio, Quality Gear	1
TOY7-488R	Crown & Pinion , 4.88 Ratio, Quality Gear	1
TOY7-529R	Crown & Pinion , 5.29 Ratio, Quality Gear	1
R = Reverse cut		

TOYOTA



TOYOTA 8"

Crown Diameter	8"
Crown Bolts	(10) 11 mm x 1.0mm
Cover Bolts	10
Carrier Breaks	None
Pinion Spline	30, 1.378"

TOYOTA 8", 10 BOLT, 27 SPLINE (200mm)

Part #	Description	Req
TOY-354	Crown & Pinion , 3.54 Ratio, Quality Gear	1
TOY-411	Crown & Pinion , 4.11 Ratio, Quality Gear	1
TOY-456	Crown & Pinion , 4.56 Ratio, Quality Gear	1
TOY-488	Crown & Pinion , 4..88 Ratio, Quality Gear	1
TOY-529	Crown & Pinion , 5.29 Ratio, Quality Gear	1
TOY-571	Crown & Pinion , 5.71 Ratio, Quality Gear	1

TOYOTA 8" & V6 TURBO

Crown Diameter	8"
Crown Bolts	(10) 11 mm x 1.0mm
Cover Bolts	10
Carrier Breaks	None
Pinion Spline	30, 1.378"

TOYOTA 8", V6 & TURBO, 10 BOLT, 27 SPLINE (200mm)

Part #	Description	Req
TOY-411T	Crown & Pinion , 4.11 Ratio, Quality Gear	1
TOY-456T	Crown & Pinion , 4.56 Ratio, Quality Gear	1
TOY-488T	Crown & Pinion , 4.88 Ratio, Quality Gear	1
TOY-529T	Crown & Pinion , 5.29 Ratio, Quality Gear	1
TOY-571T	Crown & Pinion , 5.71 Ratio, Quality Gear	1

TOYOTA



TOYOTA 9 1/2" LAND CRUISER

Crown Diameter	9.5"
Crown Bolts	(12) 12 mm x 1.0mm
Cover Bolts	10
Carrier Breaks	None
Pinion Spline	

TOYOTA 9 1/2" LAND CRUISER

Part #	Description	Req
TOY-370L	Crown & Pinion , 3.70 Ratio, Quality Gear (Fine Spline Yoke)	1
TOY-411L	Crown & Pinion , 4.11 Ratio, Quality Gear (Fine Spline Yoke)	1
TOY-456L	Crown & Pinion , 4.56 Ratio, Quality Gear (Coarse Spline Yoke)	1
TOY-488L	Crown & Pinion , 4.88 Ratio, Quality Gear (Fine Spline Yoke)	1

TOYOTA 8" TACOMA

Crown Diameter	8.25"
Crown Bolts	(12) 12 mm x 1.0mm
Cover Bolts	10
Carrier Breaks	3.50/3.70
Pinion Spline	30, 1.575"

TOYOTA 8" TACOMA

Part #	Description	Req
TOY7-456TAC	Crown & Pinion , 4.56 Ratio, Quality Gear	1
TOY7-488TAC	Crown & Pinion , 4.88 Ratio, Quality Gear	1
TOY7-529TAC	Crown & Pinion , 5.29 Ratio, Quality Gear	1

TOYOTA 8" LC REVERSE

Crown Diameter	8"
Crown Bolts	(10) 11 mm x 1.0mm
Cover Bolts	10
Carrier Breaks	None
Pinion Spline	27, 1.378"

TOYOTA 8" LC REVERSE

Part #	Description	Req
TOY-456LR	Crown & Pinion , 4.56 Ratio, Quality Gear	1
TOY-488LR	Crown & Pinion , 4.88 Ratio, Quality Gear	1

R = Reverse cut

TOYOTA



REM78FR - MASTER REBUILD KIT FRONT & REAR 1979-85

POPULAR 4X4, LIGHT TRUCK (1979-85), 1.3785" PINION, 27 SPLINE

Part #	Description	Req
14767	Seal, Pinion	1
17831	Bearing, Side Diff (Cup)	2
17887	Bearing, Side Diff (Cone)	2
17887	Bearing, Side Diff (Cone)	2
30306	Bearing, Pinion Front (Cup & Cone)	2
32307	Bearing, Pinion Rear (Cup & Cone)	2
-	Shim Kits (All Pinion & Carrier Shims)	AR
181038	Nut, Pinion	1

Includes Loctite, Brush, Marking Compound, Sealant & Crush Collar

LIMITED SLIPS AND LOCKERS AVAILABLE FOR TOYOTA

Manufacturer	Part #	Description	Ratios	Spline	Years
Detroit Locker	187SL61A	Detroit Locker (Toyota 8)(2 Pinion, Small Hub Bearing Dia 45mm)	All	30 Spline	1984 & Up
	187SL61B	Detroit Locker (Toyota 8)(4 Pinion, Large Hub Bearing Dia 50mm)	All	30 Spline	1985 & Up
	187C152A	Detroit Locker (Toyota 9 1/2 LC, 2 Pinion, C-Clip)	All	30 Spline	Current
Detroit Truetrac	911A342	Detroit Truetrac (Toyota 7.5" IFS)	All	27 Spline	1986 & Up
	911A445	Detroit Truetrac (Toyota 7.5" IFS)(Small Hub Bearing Dia 45mm)	All	27 Spline	Up to 1997
	913A609	Detroit Truetrac (Toyota 8")(2 Pinion, Sm Hub Bearing Dia 45mm, Front)	All	30 Spline	Up to 1985
	913A611	Detroit Truetrac (Toyota 8")(2 Pinion, Sm Hub Bearing Dia 45mm, Rear)	All	30 Spline	1983 & Up
	913A610	Detroit Truetrac (Toyota 8")(4 Pinion, Lg Hub Bearing Dia 50mm, Rear)	All	30 Spline	1985 & Up
E-Z Locker	813A011	Detroit E-Z Locker (8 7/8 Land Cruiser, 2 pin C-Clip)	All	30 Spline	1969 & Up
	813A028	Detroit E-Z Locker (Toyota 8", V6)	All	30 Spline	1986 & Up
	811A017	Detroit E-Z Locker (Toyota 7.5", IFS)	All	27 Spline	1988-97
	813A015	Detroit E-Z Locker (Toyota 8.0", 4 Cyl)	All	30 Spline	-
Auburn Gear	542030	Auburn Gear Limited Slip (Toyota 8 7/8", Land Cruiser)	All	30 Spline	1968-89
EATON	19614-010	Eaton Limited Slip (Toyota 8")	All	30 Spline	1974-96
ARB AIR LOCKER	RD33	ARB Airlocker (12 Bolt full floating)	All	30 Spline	Up to 1997
	RD23	ARB Airlocker (10 Bolt full Axle)	All	30 Spline	Varies
	RD111	ARB Airlocker (Front 8" IFS)	3.91 & Up	30 Spline	2003 & Up
	RD121	ARB Airlocker (Front 8" IFS)	Up to 3.73	30 Spline	2003 & Up
LOCK RIGHT	1610	Lock-Right Locker (Toyota 8", Pickup, 4 Runner, 4x2 & 4x4, 4 Cyl)	All	30 Spline	-

When installing a Limited Slip, Posi additive M-19546-A-1 is required.
Refer to Manufacturer for full listing.

ORDERING DANA PARTS



Quality Gear Distributors keep a huge inventory of Spicer parts on hand at all times. Anytime you require Spicer parts, it is helpful if the axle model is identified so our partsman can ship the correct part.

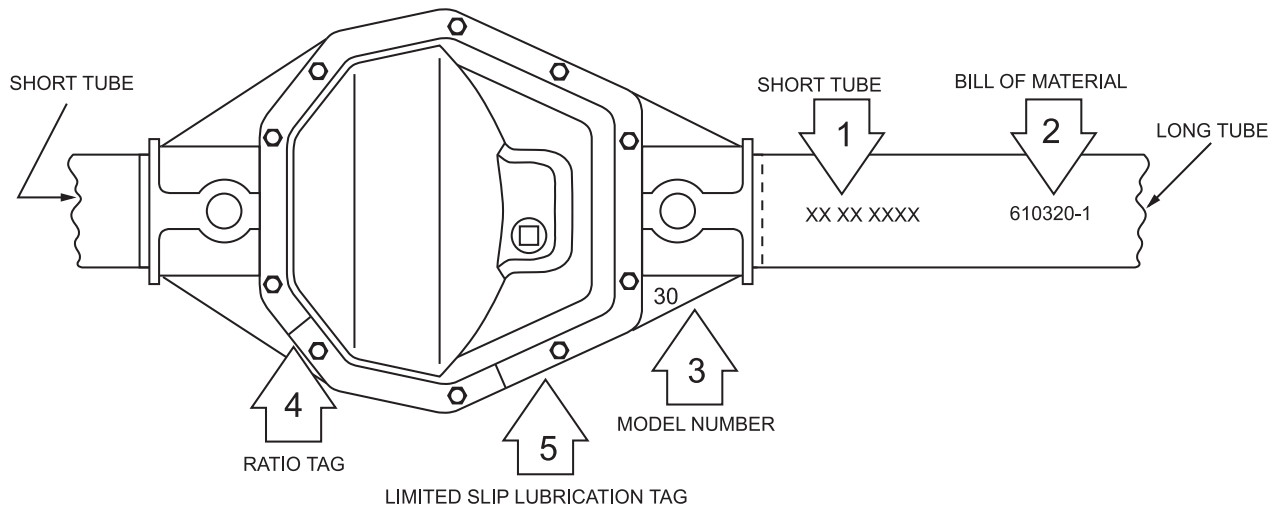
All Spicer carrier type axles are identified with a manufacturing date (1), and a bill of material number (2), stamped on the right or left hand tube on driving axles.

The model number will be cast into one of the webs as shown (3), or it can be on the nose.

Each axle contains a gear ratio tag (4), and if the axle is equipped with a limited slip differential, it will have a tag specifying the type of limited slip lubricant to be used (5).

This catalogue provides a limited parts list for Spicer parts. We have listed the most common parts but do carry more - do inquire for further details.

Call your local Quality Gear Distributors with the bill of materials number for proper identification of parts for your differential.



ORDERING DANA PARTS



How to Change Gear Ratios

To increase or decrease a gear ratio, there are certain steps that must be taken. Differential cases may need to be changed with ratio. For each model, there is a high-ratio and a low-ratio case as shown in the chart.

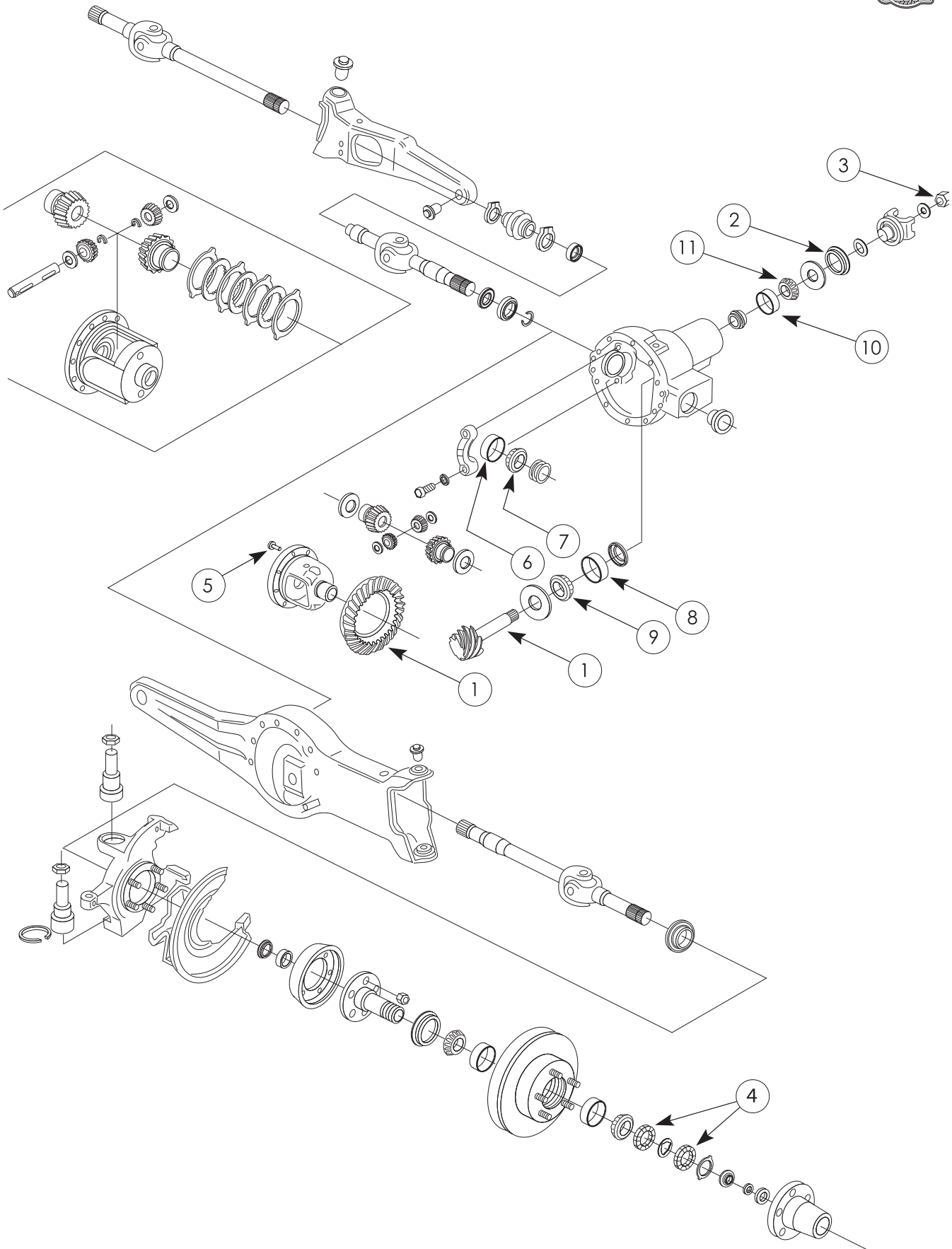
AXLE MODEL	LOW RATIO CASE	HIGH RATIO CASE
Model 27	3.73 & Down	3.92 & Up
Model 28	3.45 & Down	3.73 & Up
Model 30	3.55 & Down	3.73 & Up
Model 35	2.35 Only	-
Model 35	2.73 - 3.31	3.54 & Up
Model 36 ICA	2.73 & Down	3.07 & Up
Model 44	3.73 & Down	3.92 & Up
Model 44 ICA 1984 & Earlier	3.73 & Down	3.92 & Up
Model 44 ICA 1985 & Earlier	2.87 & Down	3.07 & Up
Model 50	4.10 & Down	-
Model 60	4.10 & Down	4.56 & Up
Model 61 Semi-Float	3.00 & 3.07 Only	-
Model 61 Full Float	3.31 & Down	3.54 & Up
Model 70	4.10 & Down	3.54 & Up
Model 70-3HD	3.42 & Down	3.73 & Up
Model 70-2UA	3.07 Only	-
Model 80	3.54 Only	4.10 & Up

Example

If you have a Model 44 rear axle with a 3.54 ratio and you wish to switch it to a 3.73 ratio, you change only the ring and pinion assembly. If you change the ratio to 4.09, you must change to the high ratio case in addition to changing the ring and gear pinion. Call Quality Gear Distributors order desk to determine which case to use.

When the vehicle is equipped with both front and rear driving axles, the gear ratios must be the same in both axles. The drive gear screws are self-locking and must be replaced with new screws each time that they are removed.

DANA 28



DANA 28"

Crown Diameter	6.625"
Crown Bolts	(10) 3/8" x 24 RH
Dropout Carrier Bolts	12
Carrier Breaks	3.45/3.73
Pinion Spline	30, 1.575"

DANA 28 AXLE

Illust #	Part #	Description	Req
1	28D-456	Crown & Pinion , 4.56 Ratio, Quality Gear	1
2	13568	Seal	2
3	30185	Nut, Pinion	1
4	BH2212	Needle Bearing	2
5	D5AZ 4216 A	Crown Bolt	10
6	LM29710	Bearing , Diff Side (Cup)	2
7	LM29749	Bearing , Diff Side (Cone)	2
8	M86610	Bearing , Outer Pinion (Cup)	1
9	M86649	Bearing , Outer Pinion (Cone)	1
10	M88010	Bearing , Inner Pinion (Cup)	1
11	M88048	Bearing , Inner Pinion (Cone)	1

When replacing 3.45 and lower ratio with a 3.73 or higher gear the case must be changed.

LIMITED SLIPS AND LOCKERS AVAILABLE FOR DANA 28 AXLE (1)

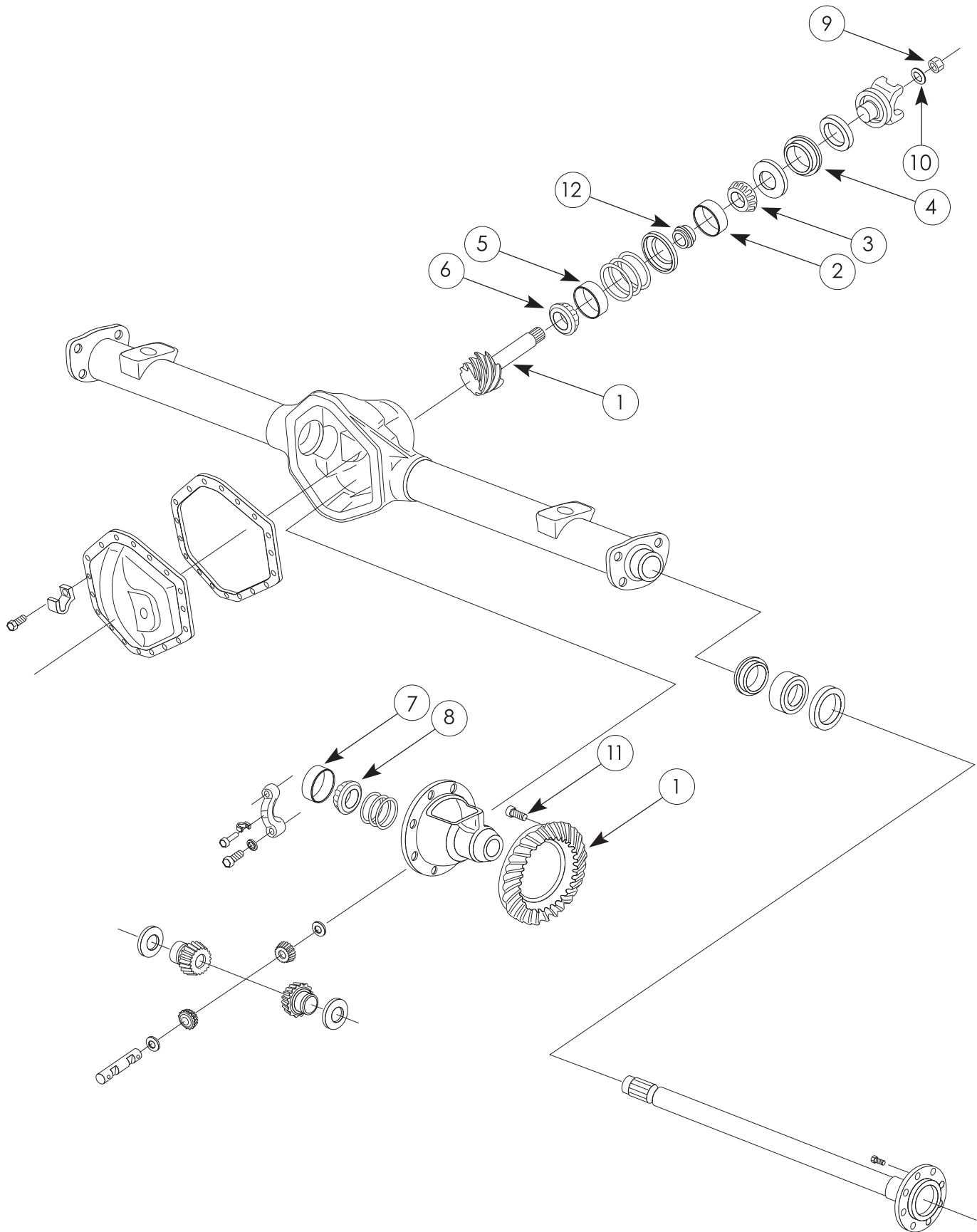
Manufacturer	Part #	Description	R.G. Size	Ratios	Spline	Years
	2116	Lock-Right Locker	-	All	23 Spline	Varies

When installing a Limited Slip, Posi additive M-19546-A-1 is required.

FOOTNOTES

(1) Vehicles with short wheel base may experience "understeer" characteristics with a locking differential installed.

DANA 30



DANA 30" INCLUDES REVERSE & TJ

Crown Diameter	7.20"
Crown Bolts	(10) 3/8" x 24 RH
Cover Bolts	10
Carrier Breaks	3.54/3.73
Pinion Spline	27, 1.375"

DANA 30 AXLE

Illust #	Part #	Description	Req
1	30D-354	Crown & Pinion , 3.54 Ratio, Quality Gear	1
1	30D-373	Crown & Pinion , 3.73 Ratio, Quality Gear	1
1	30D-410	Crown & Pinion , 4.10 Ratio, Quality Gear	1
1	30D-456	Crown & Pinion , 4.56 Ratio, Quality Gear	1
1	30D-488	Crown & Pinion , 4.88 Ratio, Quality Gear	1
1	30D-538	Crown & Pinion , 5.38 Ratio, Quality Gear	1

When replacing 3.54 and lower ratio with a 3.73 or higher gear the case must be changed.

DANA 30 REVERSE

Illust #	Part #	Description	Req
1	30D-354R	Crown & Pinion , 3.54 Ratio, Quality Gear	1
1	30D-373R	Crown & Pinion , 3.73 Ratio, Quality Gear	1
1	30D-410R	Crown & Pinion , 4.10 Ratio, Quality Gear	1
1	30D-456R	Crown & Pinion , 4.56 Ratio, Quality Gear	1
1	30D-488R	Crown & Pinion , 4.88 Ratio, Quality Gear	1

DANA 30 TJ

Illust #	Part #	Description	Req
1	30D-355TJ	Crown & Pinion , 3.55 Ratio, Quality Gear	1
1	30D-373TJ	Crown & Pinion , 3.73 Ratio, Quality Gear	1
1	30D-410TJ	Crown & Pinion , 4.10 Ratio, Quality Gear	1
1	30D-456TJ	Crown & Pinion , 4.56 Ratio, Quality Gear	1
1	30D-488TJ	Crown & Pinion , 4.88 Ratio, Quality Gear	1

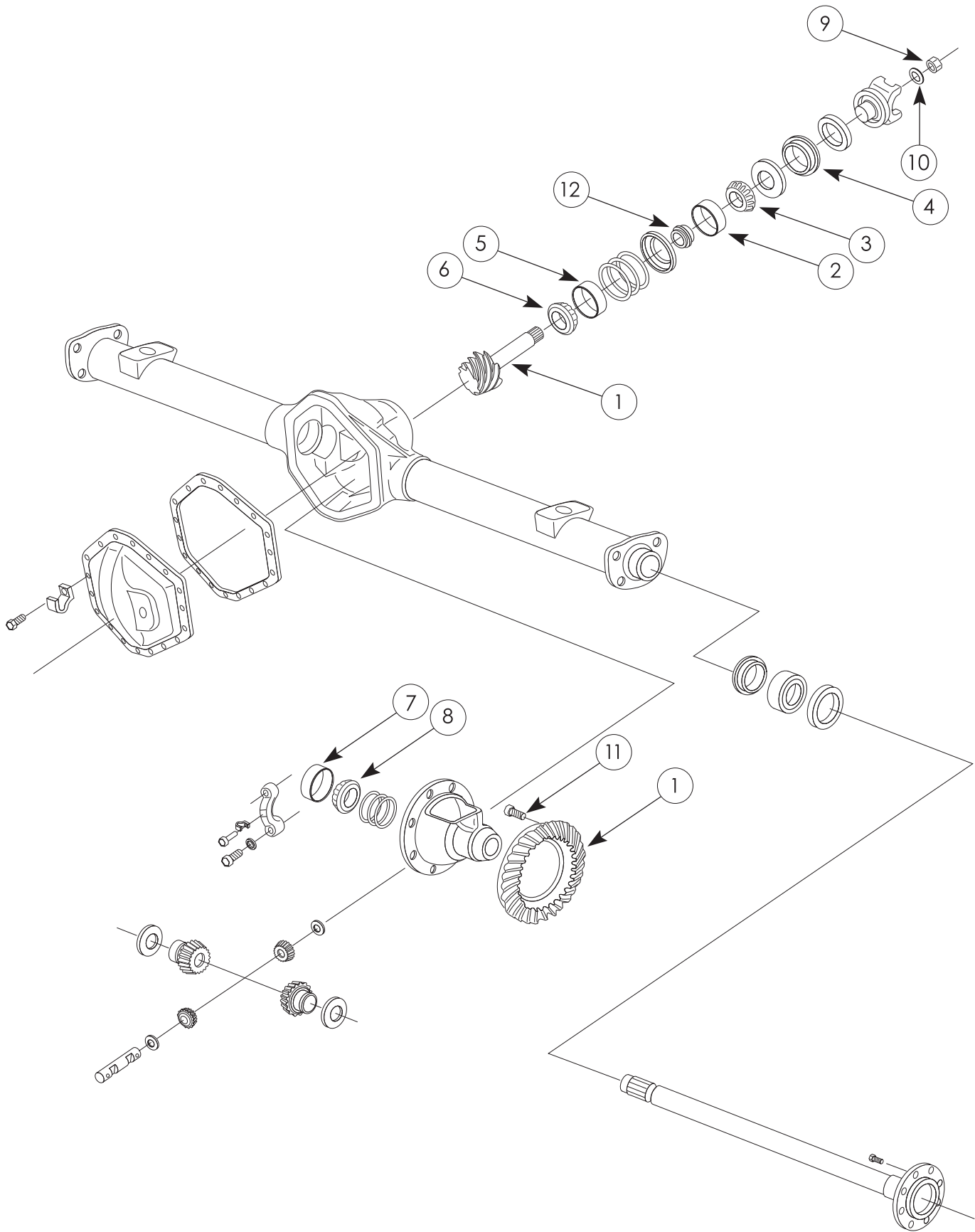
** Short Pinion

REM30 MASTER OVERHAUL KIT

Illust #	Part #	Description	Req
2	02820	Bearing , Pinion Outer (Cup)	1
3	02872	Bearing , Pinion Outer (Cone)	1
4	15788	Oil Seals	1
5	HM88610	Bearing , Pinion Inner (Cup)	1
6	HM88649	Bearing , Pinion Inner (Cone)	1
7	LM501314	Bearing , Diff Side (Cup)	2
8	LM501349	Bearing , Diff Side (Cone)	2
9	30185	Pinion Nut	1
10	30186	Pinion Washer	1
12	46294	Crush Sleeve	1

Loctite, Marking Compound, Applicator, Gasket & Shim Kit included.

DANA 30






REM30IFS MASTER OVERHAUL KIT

Illust #	Part #	Description	Req
2	02820	Bearing , Pinion Outer (Cup)	1
3	02872	Bearing , Pinion Outer (Cone)	1
4	15788	Oil Seal	1
5	HM88610	Bearing , Pinion Inner (Cup)	1
6	HM88649	Bearing , Pinion Inner (Cone)	1
7	LM501314	Differential (Cup)	2
8	LM501349	Differential (Cone)	2
9	30185	Pinion Nut	1
10	30186	Pinion Washer	1
11	D5AZ 4216 A	Ring Gear Bolts	10
12	46194	Crush Sleeve	1

Loctite, Marking Compound, Shim Kit and Brush included.

LIMITED SLIPS AND LOCKERS AVAILABLE FOR DANA 30 AXLE

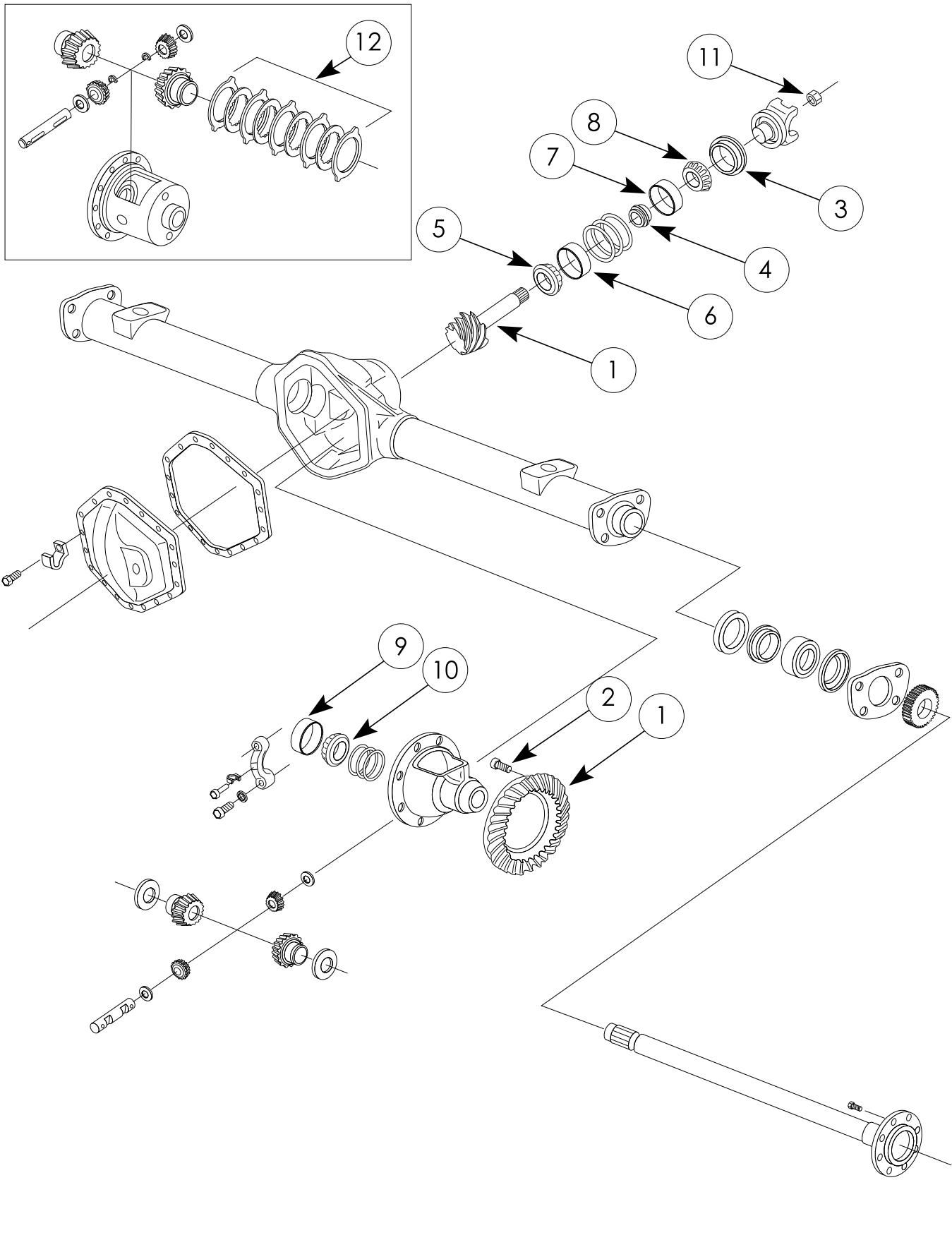
Manufacturer	Part #	Description	R.G. Size	Ratios	Spline	Years
<i>Detroit Locker</i>	162SL60A	Detroit Locker	7.2"	3.54 & Down	27 Spline	1971 & Up
	162SL60B	Detroit Locker	7.2"	3.73 & Up	27 Spline	1971 & Up
<i>Detroit Truetrac</i>	912A584	Detroit Truetrac	7.2"	3.54 & Down	27 Spline	1971 & Up
	912A585	Detroit Truetrac	7.2"	3.73 & Up	27 Spline	1971 & Up
	912A588	Detroit Truetrac	7.2"	3.73 & Up	27 Spline	1971 & Up
<i>E-Z Locker</i>	812A012	Detroit E-Z Locker	7.2"	All	27 Spline	1971 & Up
	545016	Auburn Ected	7.2"	3.55 & Down	27 Spline	1971 & Up
	545017	Auburn Ected	7.2"	3.73 & Up	27 Spline	1971 & Up
EATON	19773-010	E Locker - Electric Locker	7.2"	3.73 & Up	27 Spline	1971 & Up
	RD100	ARB Airlocker (1)	7.2"	3.73 & Up	27 Spline	1971 & Up
	RD101	ARB Airlocker (1)	7.2"	3.54 & Down	27 Spline	1971 & Up
	2210	Lock-Right Locker	7.2"	All	27 Spline	Varies

When installing a Limited Slip, Posi additive M-19546-A-1 is required.

Vehicles with short wheel base may experience "understeer" characteristics with a locking differential installed.

(1) - Quadradrive Traction Control vehicles require non-Quadradrive Axle Shaft replacement for Air Locker replacement.

DANA 35



DANA 35" INCLUDES REVERSE

Crown Diameter	7.562"
Crown Bolts	(8) 3/8" x 24 RH
Cover Bolts	10
Carrier Breaks	3.31/3.55
Pinion Spline	26, 1.375"

DANA 35

Illust #	Part #	Description	Req
1	35D-355	Crown & Pinion , 3.55 Ratio, Quality Gear	1
1	35D-373	Crown & Pinion , 3.73 Ratio, Quality Gear	1
1	35D-410	Crown & Pinion , 4.10 Ratio, Quality Gear	1
1	35D-456	Crown & Pinion , 4.56 Ratio, Quality Gear	1
1	35D-488	Crown & Pinion , 4.88 Ratio, Quality Gear	1
2	41221	Crown Bolt	8
3	43085	Pinion seal	
12	707165X	Clutch Packs	
12	701046X	Clutch Packs	

When replacing 3.31 and lower ratio with a 3.55 or higher gear the case must be changed.

DANA 35 REVERSE

Illust #	Part #	Description	Req
1	35D-355R	Crown & Pinion , 3.55 Ratio, Quality Gear	1
1	35D-373R	Crown & Pinion , 3.73 Ratio, Quality Gear	1
1	35D-410R	Crown & Pinion , 4.10 Ratio, Quality Gear	1
1	35D-456R	Crown & Pinion , 4.56 Ratio, Quality Gear	1
1	35D-488R	Crown & Pinion , 4.88 Ratio, Quality Gear	1
1	35D-513R	Crown & Pinion , 5.13 Ratio, Quality Gear	1

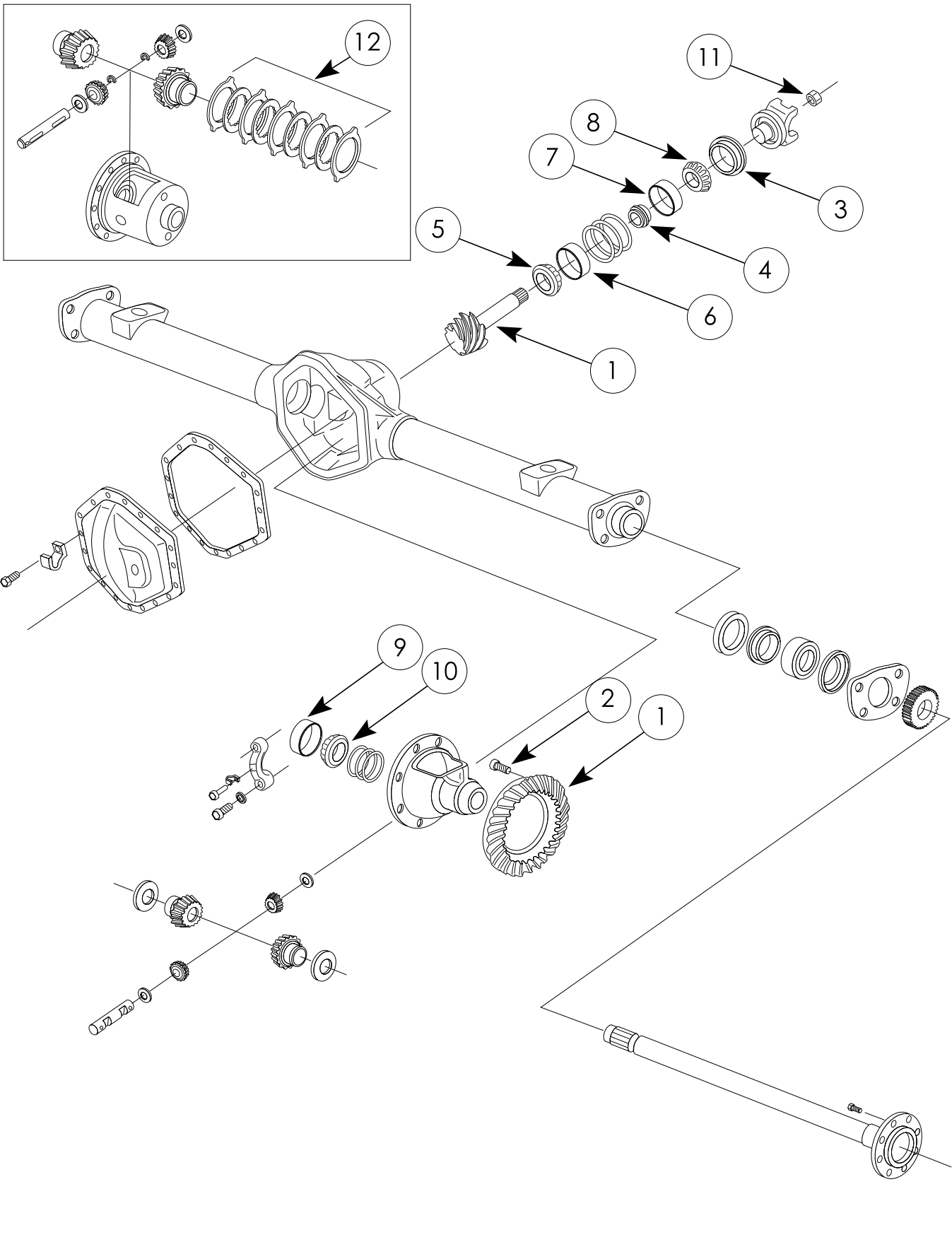
When replacing 3.31 and lower ratio with a 3.55 or higher gear the case must be changed.

R35CJ REAR

Illust #	Part #	Description	Req
3	18444	Pinion Seal	1
4	3507575	Crush Collar	1
5	HM88648	Bearing, Pinion , Inner (Cone)	1
6	HM88610	Bearing, Pinion , Inner (Cup)	1
7	M86610	Bearing, Pinion , Outer (Cup)	1
8	M86649	Bearing, Pinion , Outer (Cone)	1
9	LM501314	Differential , (Cup)	2
10	LM501349	Differential , (Cone)	2
11	390313S100	Pinion Nut	1

Shim Kit, Marking Compound, Loctite, Brush included.

DANA 35



REM35CJ

Illust #	Part #	Description	Req
2	41221	Ring Gear Bolt	10
3	18444	Seal	1
4	3507575	Crush Sleeve	1
5	HM88648	Bearing, Pinion, Inner (Cone)	1
6	HM88610	Bearing, Pinion, Inner (Cup)	1
7	M86610	Bearing, Pinion, Outer (Cup)	1
8	M86649	Bearing Pinion, Outer (Cone)	1
9	LM501314	Bearing, Differential Side (Cup)	2
10	LM501349	Bearing, Differential Side (Cone)	2
11	390313S100	Pinion Nut	1




Shim Kit, Marking Compound, Loctite, Brush included.

REM35IFS

Illust #	Part #	Description	Req
NI	13757	Axle Seal	1
NI	17520	Front Axle Seal	1
2	D5AZ4216A	Ring Gear Bolts	8
3	18444	Seal	1
NI	30186	Washer	1
4	3507575	Crush Collar	1
NI	B268	Axle Bearing	2
5	HM88648	Bearing, Pinion, Inner (Cone)	1
6	HM88610	Bearing, Pinion, Inner (Cup)	1
7	M86610	Bearing, Pinion, Outer (Cup)	1
8	M86649	Bearing Pinion, Outer (Cone)	1
9	LM501314	Bearing, Differential Side (Cup)	2
10	LM501349	Bearing, Differential Side (Cone)	2
11	30185	Pinion Nut	1

Shim Kit, Marking Compound, Loctite, Sealant & Brush included.

LIMITED SLIPS AND LOCKERS AVAILABLE FOR DANA 35 AXLE

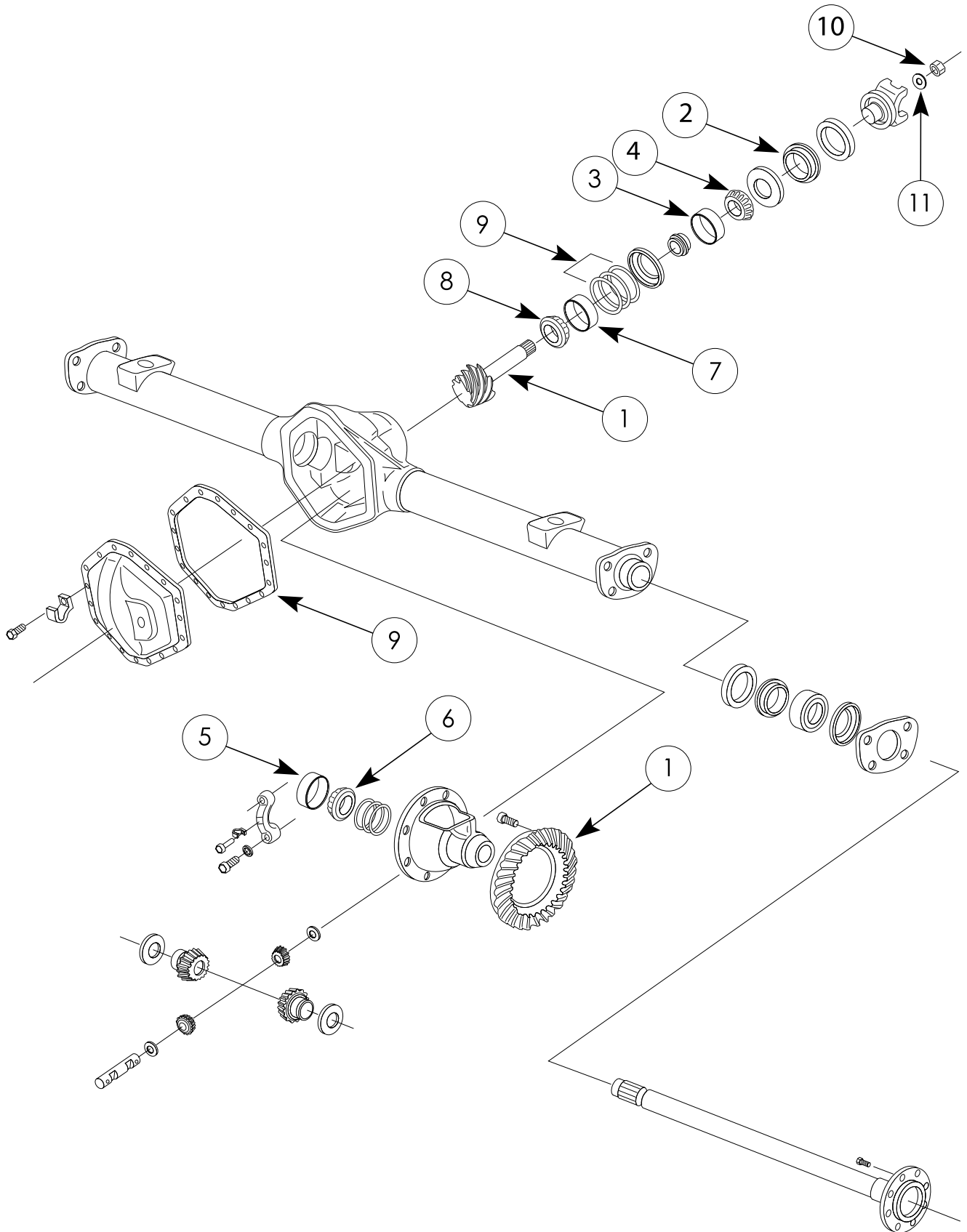
Manufacturer	Part #	Description	R.G. Size	Ratios	Spline	Years
<i>Detroit Locker</i>	162C56A	Detroit Locker	7.56"	3.54 & Up	27 Spline	Varies
	162C66A	Super Locker (AM Axle)	7.56"	3.54 & Up	30 Spline	Varies
<i>E-Z Locker</i>	812A020	Detroit E-Z Locker	7.56"	All	27 Spline	Varies
	812A025	Detroit E-Z Locker (ABS)	7.56"	All	27 Spline	Varies
	545012	Auburn Ected*	7.56"	3.31 & Down	27 Spline	1987 & Up
	545013	Auburn Ected*	7.56"	3.55 & Up	27 Spline	1987 & Up
	545014	Auburn Ected*	7.56"	3.31 & Down	30 Spline	1987 & Up
	545015	Auburn Ected*	7.56"	3.55 & Up	30 Spline	1987 & Up
	RD 102	ARB Airlocker	7.56"	3.54 & Up	27 Spline	Varies
	RD 102	ARB Airlocker	7.56"	2.73 - 3.31 & Up	27 Spline	Varies
	2310	Lock-Right Locker	7.56"	All	27 Spline	Varies

When installing a Limited Slip, Posi additive M-19546-A-1 is required.

Vehicles with short wheel base may experience "understeer" characteristics with a locking differential installed.

* these Assemblies require Bearing #LM102949/LM102911 in order to install them. Must be purchased separately.

DANA 44



DANA 44" INCLUDES REVERSE

Crown Diameter	8.5"
Crown Bolts	(10) 3/8" x 24 RH
Cover Bolts	10
Carrier Breaks	3.73/3.92
Pinion Spline	26, 1.375"

DANA 44

Illust #	Part #	Description	Req
1	44D-307	Crown & Pinion , 3.07 Ratio, Quality Gear	1
1	44D-331	Crown & Pinion , 3.31 Ratio, Quality Gear	1
1	44D-354	Crown & Pinion , 3.54 Ratio, Quality Gear	1
1	44D-373	Crown & Pinion , 3.73 Ratio, Quality Gear	1
1	44D-409	Crown & Pinion , 4.09 Ratio, Quality Gear	1
1	44D-456	Crown & Pinion , 4.56 Ratio, Quality Gear	1
1	44D-488	Crown & Pinion , 4.88 Ratio, Quality Gear	1
1	44D-513	Crown & Pinion , 5.13 Ratio, Quality Gear	1
1	44D-538	Crown & Pinion , 5.38 Ratio, Quality Gear	1
1	44D-589	Crown & Pinion , 5.89 Ratio, Quality Gear	1

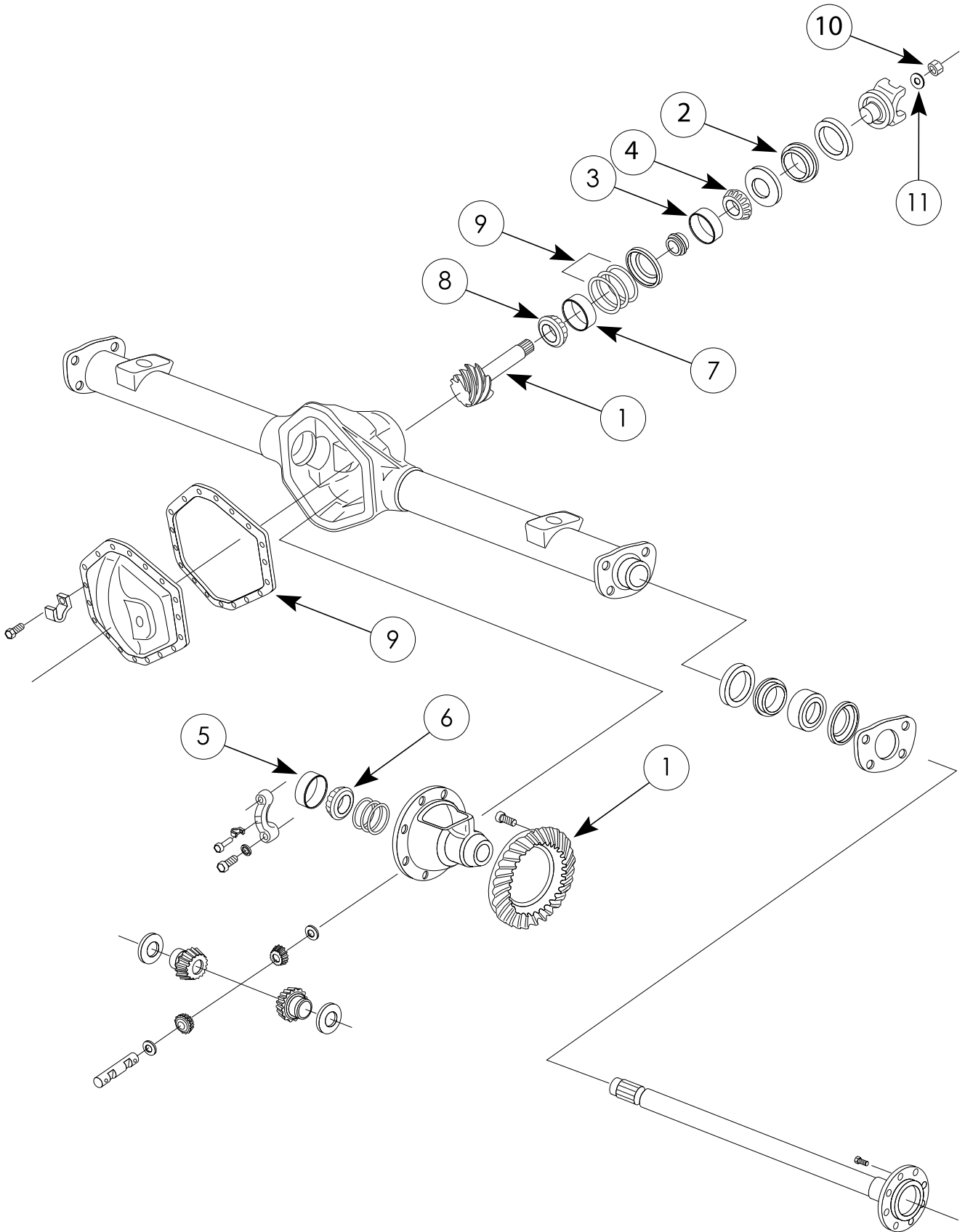
When replacing 3.73 and lower ratio with a 3.92 or higher the gear case must be changed.

DANA 44 REVERSE

Illust #	Part #	Description	Req
1	44D-307R	Crown & Pinion , 3.07 Ratio, Quality Gear	1
1	44D-350R	Crown & Pinion , 3.50 Ratio, Quality Gear	1
1	44D-354R	Crown & Pinion , 3.54 Ratio, Quality Gear	1
1	44D-373R	Crown & Pinion , 3.73 Ratio, Quality Gear	1
1	44D-409R	Crown & Pinion , 4.09 Ratio, Quality Gear	1
1	44D-456R	Crown & Pinion , 4.56 Ratio, Quality Gear	1
1	44D-488R	Crown & Pinion , 4.88 Ratio, Quality Gear	1
1	44D-513R	Crown & Pinion , 5.13 Ratio, Quality Gear	1
1	44D-538R	Crown & Pinion , 5.38 Ratio, Quality Gear	1

When replacing 3.73 and lower ratio with a 3.92 or higher the gear case must be changed.

DANA 44







REM44 MASTER OVERHAUL KIT

Illust #	Part #	Description	Req
2	15788	Seal, Pinion	1
3	02820	Bearing, Pinion Outer (Cup)	1
4	02872	Bearing, Pinion Outer (Cone)	1
5	25523	Bearing, Side Differential (Cup)	1
6	25590	Bearing, Side Differential (Cone)	1
7	31520	Bearing, Pinion Inner (Cup)	1
8	31594	Bearing, Pinion Inner (Cone)	1
9	706376X	Shim & Gasket Kit	1
10	30185	Pinion Nut	1
11	30186	Pinion Washer	1

Loctite, Sealant, Brush included.

LIMITED SLIPS AND LOCKERS AVAILABLE FOR DANA 44 AXLE (1)

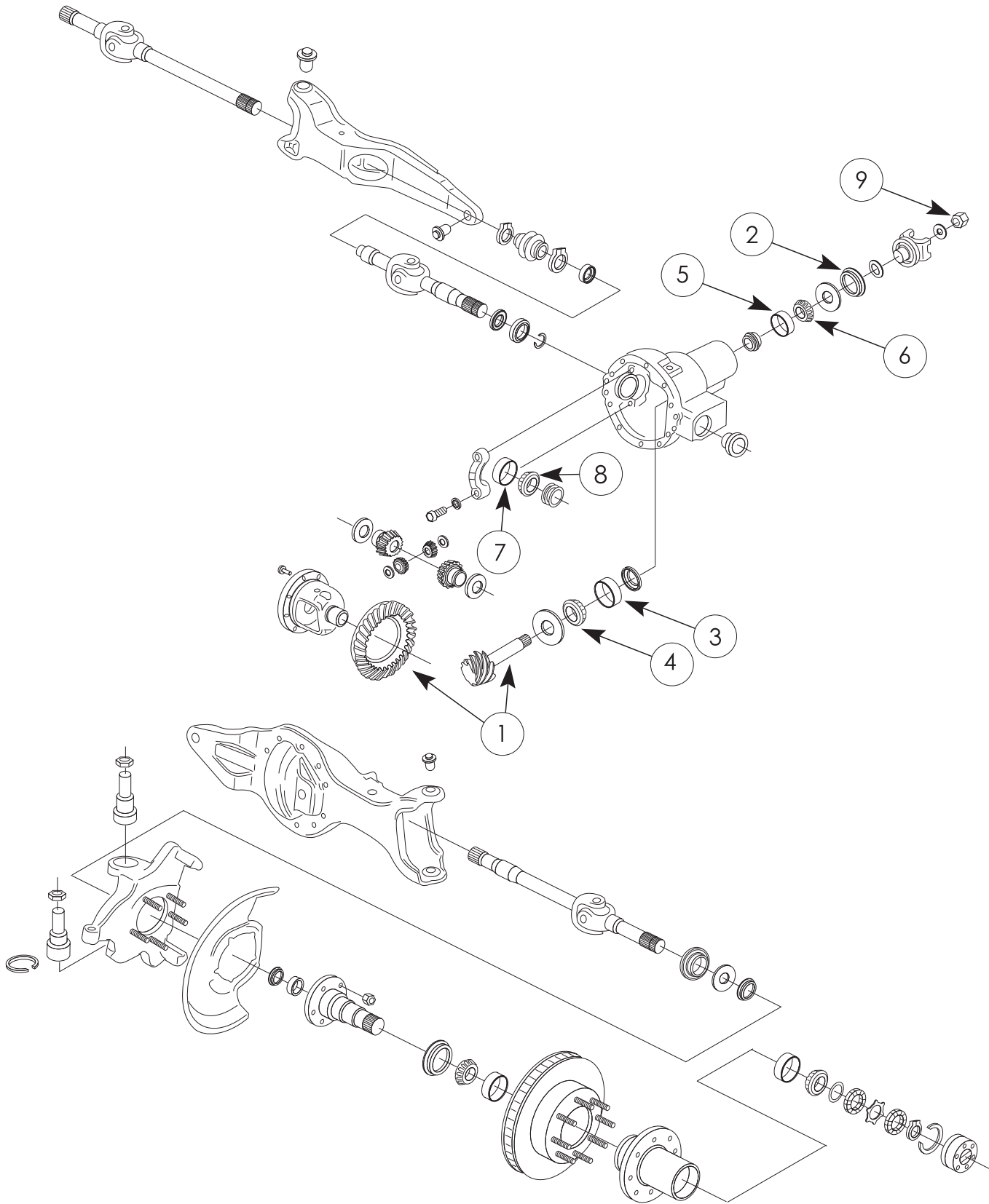
Manufacturer	Part #	Description	R.G. Size	Ratios	Spline	Years
<i>Detroit Locker</i>	187SL16D	Detroit Locker	8.5"	3.73 & Down	30 Spline	Varies
	187SL16C	Detroit Locker	8.5"	3.92 & Up	30 Spline	Varies
	187SL12B	Detroit Locker	8.5"	3.73 & Down	19 Spline	1966-68
	187SL12A	Detroit Locker	8.5"	3.93 & Up	19 Spline	1966-68
	187SL192A	Detroit Locker (Super 44)	8.5"	All	33 Spline	Varies
<i>Detroit Truetrac</i>	913A 591	Detroit Truetrac (Limited Slip) (Front)	8.5"	3.73 & Down	30 Spline	Varies
	913A 592	Detroit Truetrac (Limited Slip) (Front)	8.5"	3.92 & Up	30 Spline	Varies
	913A 589	Detroit Truetrac (Limited Slip) (Rear)	8.5"	3.73 & Down	30 Spline	Varies
	913A 590	Detroit Truetrac (Limited Slip) (Rear)	8.5"	3.92 & Up	30 Spline	Varies
<i>E-Z Locker</i>	813A014	Detroit E-Z Locker Front	8.5"	All	30 Spline	Varies
	542082	Auburn (Pro Series) without "C" clips	8.5"	3.92 & Up	30 Spline	Varies
	542083	Auburn (Pro Series) without "C" clips	8.5"	3.73 & Down	30 Spline	Varies
	542084	Auburn (Pro Series) without "C" clips	8.5"	3.92 & Up	19 Spline	1966-68
	542085	Auburn (Pro Series) without "C" clips	8.5"	3.73 & Down	19 Spline	1966-68
	19695-010	E Locker - Electric Locker	8.5"	3.73 & Down	30 Spline	Varies
	19747-010	E Locker - Electric Locker	8.5"	3.92 & Up	30 Spline	Varies
	RD116	ARB Airlocker (2)(3)	8.5"	3.92 & Up	30 Spline	Varies
	RD117	ARB Airlocker (2)(3)	8.5"	3.73 & Down	30 Spline	Varies
	2410	Lock-Right Locker	8.5"	All	30 Spline	Varies
	2413	Lock-Right Locker	8.5"	All	19 Spline	1966-68
	2415	Lock-Right Locker	8.5"	All	10 Spline	Varies

When installing a Limited Slip, Posi additive M-19546-A-1 is required.

FOOTNOTES

- (1) Vehicles with short wheel base may experience "understeer" characteristics with a locking differential installed. If equipped with factory style posi use Clutch Pack # 706352X.
- (2) Newer Dana 44 Ring Gears Have 7/16" Bolts. Flange holes must be reamed larger.
- (3) The C-Clips used in the OEM Diff cannot be used with Air Locker. See Installation Guide for alternative spring retained stub fitment method.

DANA 50



DANA 50"

Crown Diameter	9"
Crown Bolts	(10) 7/16" x 20 RH
Cover Bolts	10
Carrier Breaks	None
Pinion Spline	26, 1.375"

DANA 50



Illust #	Part #	Description	Req
1	50D-354	Crown & Pinion, 3.54 Ratio, Quality Gear	1
1	50D-410	Crown & Pinion, 4.10 Ratio, Quality Gear	1
1	50D-456	Crown & Pinion, 4.56 Ratio, Quality Gear	1

REM50IFS MASTER OVERHAUL KIT

Illust #	Part #	Description	Req
2	15788	Seal	1
3	HM88610	Bearing , Pinion Inner (Cup)	1
4	HM88649	Bearing , Pinion Inner (Cone)	1
5	02820	Bearing , Pinion Outer (Cup)	1
6	02872	Bearing , Pinion Outer (Cone)	1
7	LM104911A	Bearing , Diff. Side (Cup)	2
8	JLM104948	Bearing , Diff. Side (Cone)	2
9	30185	Nut, Pinion	1

Shim Kit, Sealant, Loctite, Brush included.

LIMITED SLIPS AND LOCKERS AVAILABLE FOR DANA 50 AXLE (1)

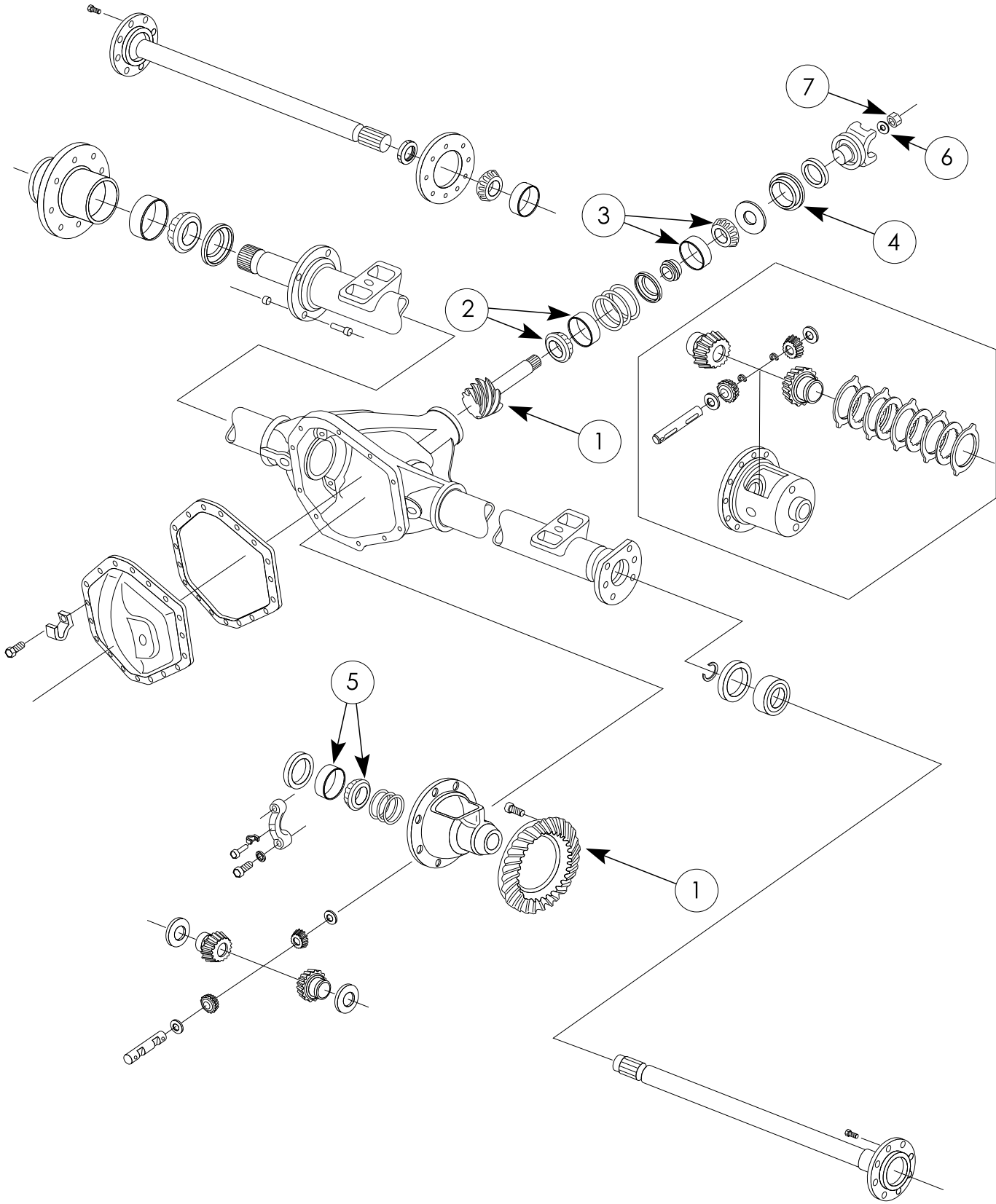
Manufacturer	Part #	Description	R.G. Size	Ratios	Spline	Years
	RD50	ARB Airlocker	9"	All	30 Spline	1980 & Up
	2510	Lock-Right Locker	9"	All	30 Spline	1980 & Up

When installing a Limited Slip, Posi additive M-19546-A-1 is required.

FOOTNOTES

(1) Vehicles with short wheel base may experience "understeer" characteristics with a locking differential installed.

DANA 60



DANA 60" INCLUDES REVERSE

Crown Diameter	9.75"
Crown Bolts	(12) 1/2" x 18 RH
Cover Bolts	10
Carrier Breaks	4.10/4.56
Pinion Spline	29, 1.625"

DANA 60

Illust #	Part #	Description	Application	Req
1	60D-333	Crown & Pinion , 3.33 Ratio, Quality Gear		1
1	60D-354	Crown & Pinion , 3.54 Ratio, Quality Gear		1
1	60D-373	Crown & Pinion , 3.73 Ratio, Quality Gear	Chev K30/K35 1977-87 (Front), C20/C25 1988-92 (Rear)	1
1	60D-410	Crown & Pinion , 4.10 Ratio, Quality Gear	Chrysler W200-250 1975-92 (Front), 1969-92 (Rear)	1
1	60D-456	Crown & Pinion , 4.56 Ratio, Quality Gear	W300-350 1975-92 (Front), D200-250 1969-92 (Rear)	1
1	60D-488	Crown & Pinion , 4.88 Ratio, Quality Gear	D300-3350 1975-92, Car w/Hemi 1966-73 (Rear)	1
1	60D-513	Crown & Pinion , 5.13 Ratio, Quality Gear		1
1	60D-538	Crown & Pinion , 5.38 Ratio, Quality Gear		1
1	60D-586	Crown & Pinion , 5.86 Ratio, Quality Gear		1
1	60D-617	Crown & Pinion , 6.17 Ratio, Quality Gear		1
1	60D-717	Crown & Pinion , 7.17 Ratio, Quality Gear		1

When replacing 4.10 and lower ratio with a 4.56 or higher the gear case must be changed.

DANA 60 REVERSE

Illust #	Part #	Description	Req
1	60D-354R	Crown & Pinion , 3.54 Ratio, Quality Gear	1
1	60D-373R	Crown & Pinion , 3.73 Ratio, Quality Gear	1
1	60D-410R	Crown & Pinion , 4.10 Ratio, Quality Gear	1
1	60D-456R	Crown & Pinion , 4.56 Ratio, Quality Gear	1
1	60D-488R	Crown & Pinion , 4.88 Ratio, Quality Gear	1
1	60D-513R	Crown & Pinion , 5.13 Ratio, Quality Gear	1

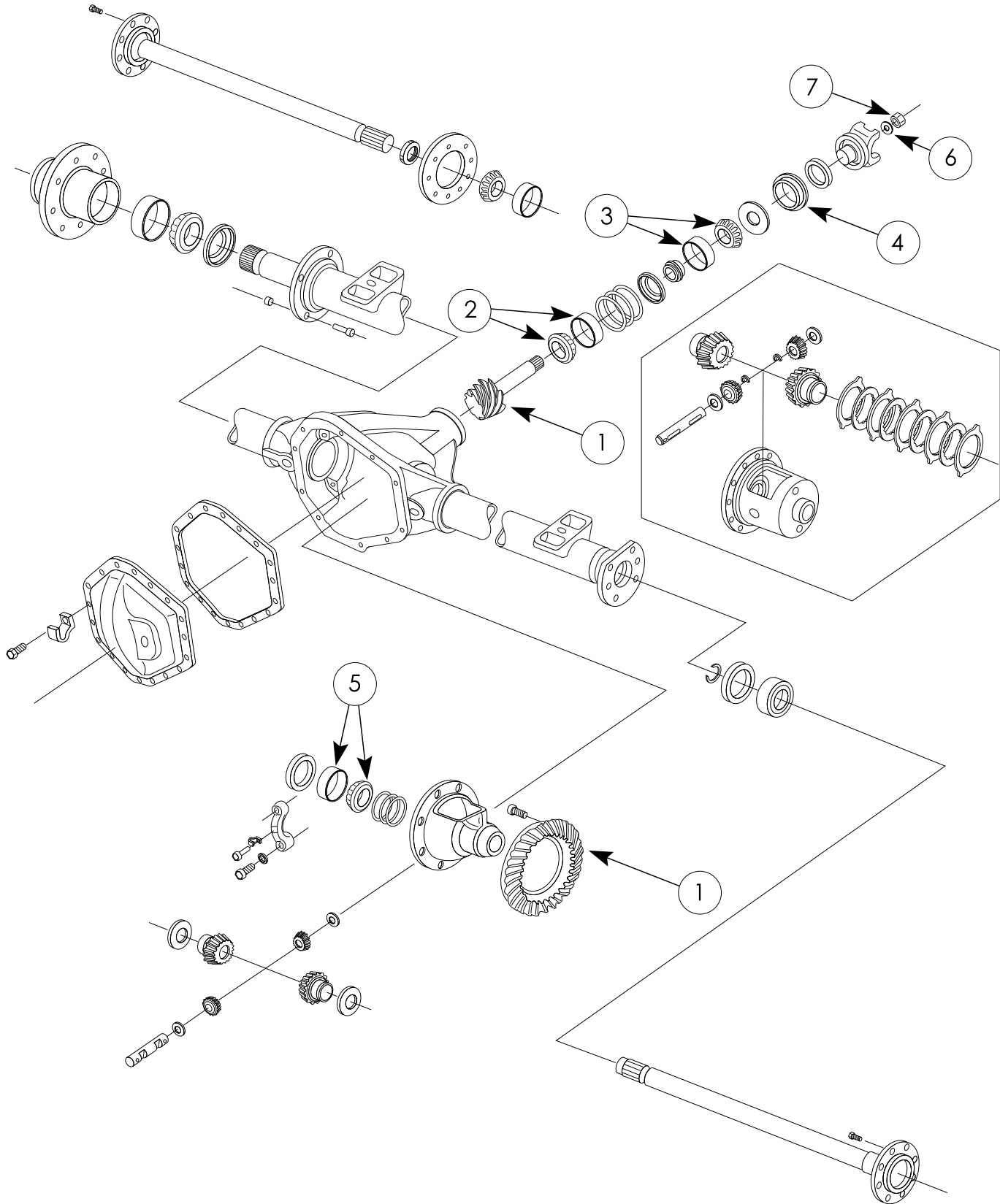
When replacing 4.10 and lower ratio with a 4.56 or higher the gear case must be changed.

REM60 MASTER OVERHAUL KIT

Illust #	Part #	Description	Req
2	HM803110	Bearing , Pinion Inner (Cup)	1
2	HM803146	Bearing , Pinion Inner (Cone)	1
3	HM88510	Bearing , Pinion Outer (Cup)	1
3	HM88542	Bearing , Pinion Outer (Cone)	1
4	18891	Seal , Pinion	1
5	382S	Bearing , Side Differential (Cup)	2
5	387A	Bearing , Side Differential (Cone)	2
6	30275	Pinion Washer	1
7	30271	Pinion Nut	1

Loctite, Marking Compound, Sealant, Brush, Gasket & Shim Kit included.

DANA 60









REM60A MASTER OVERHAUL KIT

Illust #	Part #	Description	Req
2	HM803110	Bearing , Pinion Inner (Cup)	1
2	HM803146	Bearing , Pinion Inner (Cone)	1
3	HM88510	Bearing , Pinion Outer (Cup)	1
3	HM88542	Bearing , Pinion Outer (Cone)	1
4	18891	Seal , Pinion	1
5	NP197868	Bearing , Side (Cone)	2
5	NP802507	Bearing , Side (Cup)	2
6	30275	Pinion Washer	1
7	30271	Pinion Nut	1
NI	45658	Crush Sleeve	1

Loctite, Marking Compound, Sealant, Brush, Gasket & Shim Kit included.

LIMITED SLIPS AND LOCKERS AVAILABLE FOR DANA 60 AXLE (1)

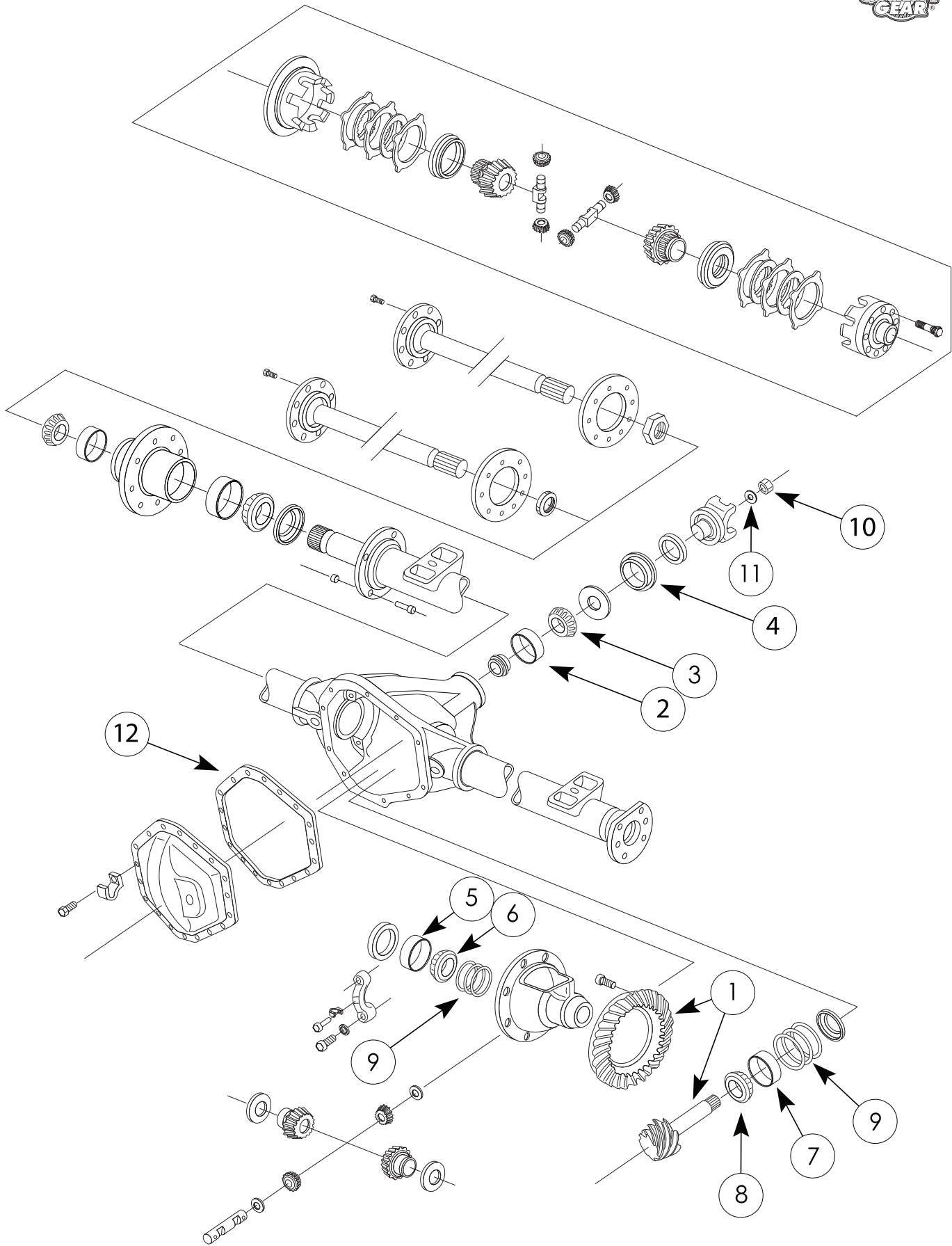
Manufacturer	Part #	Description	R.G. Size	Ratios	Spline	Years
	225SL29B	Detroit Locker	9.75"	4.10 & Down	35 Spline	Varies
	225SL29A	Detroit Locker	9.75"	4.56 & Up	35 Spline	Varies
	225SL19B	Detroit Locker	9.75"	4.10 & Down	30 Spline	Varies
	225SL19A	Detroit Locker	9.75"	4.56 & Up	30 Spline	Varies
	225S12C	Detroit Locker	9.75"	4.10 & Down	16 Spline	up to 74
	225S12A	Detroit Locker	9.75"	4.56 & Up	16 Spline	up to 74
	225SL193A	Detroit Locker, Special A.M. axels	9.75"	4.56 & Up	40 Spline	Varies
	225SL193B	Detroit Locker, Super Lockers	9.75"	4.10 & Down	40 Spline	Varies
	915A385	Detroit Truetrac, Rear	9.75"	4.10 & Down	35 Spline	Varies
	915A386	Detroit Truetrac, Rear	9.75"	4.56 & Up	35 Spline	Varies
	915A387	Detroit Truetrac, Front	9.75"	4.10 & Down	35 Spline	Varies
	915A388	Detroit Truetrac, Front	9.75"	4.56 & Up	35 Spline	Varies
	915A389	Detroit Truetrac, Rear	9.75"	4.10 & Down	30 Spline	Varies
	915A390	Detroit Truetrac, Rear	9.75"	4.56 & Up	30 Spline	Varies
	544821	Spool	9.75"	4.56 & Up	35 Spline	Varies
	19734-010	Eaton Limited Slip	9.75"	4.56 & Up	30 Spline	Varies
	19730-010	Eaton Limited Slip	9.75"	4.10 & Down	30 Spline	Varies
	19737-010	E Locker	9.75"	4.56 & Up	30 Spline	Varies
	19722-010	E Locker	9.75"	4.10 & Down	30 Spline	Varies
	19761-010	E Locker	9.75"	4.56 & Up	35 Spline	Varies
	19760-010	E Locker	9.75"	4.10 & Down	35 Spline	Varies
	RD35	ARB Airlocker	9.75"	4.56 & Up	35 Spline	Varies
	RD36	ARB Airlocker	9.75"	4.10 & Down	35 Spline	Varies
	RD21	ARB Airlocker	9.75"	4.56 & Up	30 Spline	Varies
	RD22	ARB Airlocker	9.75"	4.10 & Down	35 Spline	Varies
	2610	Lock-Right Locker	9.75"	All	30 Spline	Varies
	2620	Lock-Right Locker	9.75"	All	35 Spline	Varies

When installing a Limited Slip, Posi additive M-19546-A-1 is required.

FOOTNOTES

(1) Vehicles with short wheel base may experience "understeer" characteristics with a locking differential installed.

DANA 70



DANA 70"

Crown Diameter	10.5"
Crown Bolts	(12) 1/2" x 20 RH
Cover Bolts	10
Carrier Breaks	4.10/4.56
Pinion Spline	29, 1.750"

DANA 70

Illust #	Part #	Description	Req
1	706D-354	Crown & Pinion , 3.54 Ratio, Quality Gear	1
1	706D-373	Crown & Pinion , 3.73 Ratio, Quality Gear	1
1	706D-410	Crown & Pinion , 4.10 Ratio, Quality Gear	1
1	706D-456	Crown & Pinion , 4.56 Ratio, Quality Gear	1
1	706D-488	Crown & Pinion , 4.88 Ratio, Quality Gear	1
1	706D-513	Crown & Pinion , 5.13 Ratio, Quality Gear	1
1	706D-586	Crown & Pinion , 5.86 Ratio, Quality Gear	1
1	706D-617	Crown & Pinion , 6.17 Ratio, Quality Gear	1

When replacing 4.10 and lower ratio with a 4.56 or higher the gear case must be changed.

REM70 MASTER OVERHAUL KIT**

Illust #	Part #	Description	Req
2	HM88510	Bearing Pinion Outer (Cup)	1
3	HM88542	Bearing Pinion Outer (Cone)	1
4	18891	Seal, Pinion	1
5	382S	Bearing Side Differential (Cup)	2
6	387A	Bearing Side Differential (Cone)	2
7	HM807010	Bearing , Pinion Inner (Cup)	1
8	HM807040	Bearing , Pinion Inner (Cone)	1
9	706213X	Shim Set	1
10	30271	Pinion Nut	1
11	30275	Pinion Washer	1
12	34686	Gasket	1

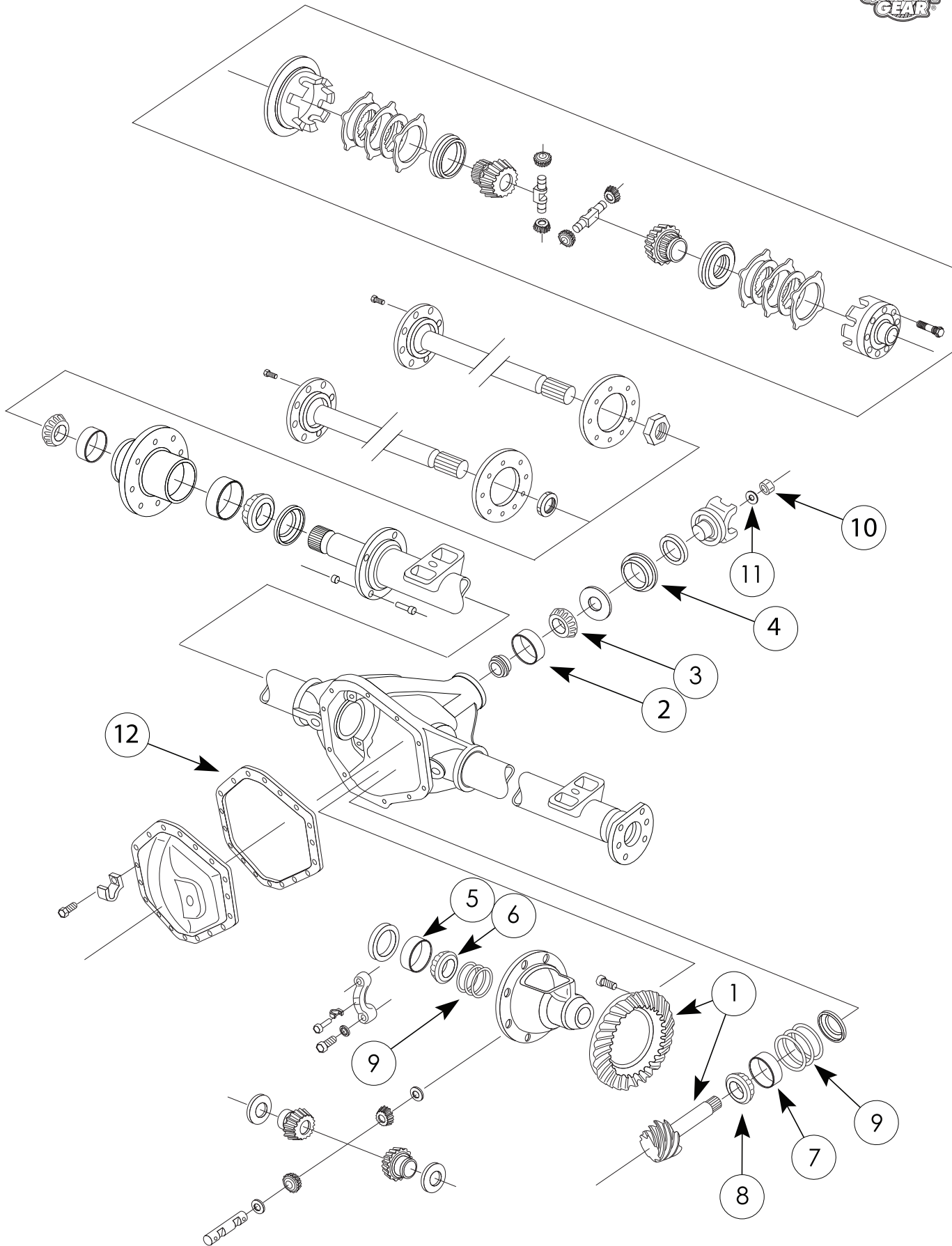
Loctite, Marking Compound, Sealant, Brush included.

REM70HD HEAVY DUTY MASTER OVERHAUL KIT**

Illust #	Part #	Description	Req
2	HM88510	Bearing , Pinion Outer (Cup)	1
3	HM88542	Bearing , Pinion Outer (Cone)	1
4	18891	Seal , Pinion	1
5	453X	Bearing Side Differential (Cup)	2
6	469	Bearing Side Differential (Cone)	2
7	HM807010	Bearing , Pinion Inner (Cup)	1
8	HM807040	Bearing , Pinion Inner (Cone)	1
9	706213X	Shim Set	1
10	30271	Pinion Nut	1
11	30275	Pinion Washer	1
12	34686	Gasket	1

Loctite, Marking Compound, Sealant, Brush included.

DANA 70



REM71 MASTER OVERHAUL KIT**

Illust #	Part #	Description	Req
2	HM88510	Bearing , Pinion Outer (Cup)	1
3	HM88542	Bearing , Pinion Outer (Cone)	1
4	18891	Seal , Pinion	1
5	382S	Bearing Side Differential (Cup)	2
6	387A	Bearing Side Differential (Cone)	2
7	HM803110	Bearing , Pinion Inner (Cup)	1
8	HM803149	Bearing , Pinion Inner (Cone)	1
9	34686	Shim Set	1
10	30271	Pinion Nut	1
11	30275	Pinion Washer	1
12	34686	Gasket	1

Loctite, Marking Compound, Sealant, Brush included.

LIMITED SLIPS AND LOCKERS AVAILABLE FOR DANA 70 AXLE (1)*

Manufacturer	Part #	Description	R.G. Size	Ratios	Spline	Years
Detroit Locker	225SL58B	Detroit Locker 5/8" Pinion Offset	10.5"	4.10 & Down	35 Spline	1976-91
	225SL58A	Detroit Locker 5/8" Pinion Offset	10.5"	4.56 & Up	35 Spline	1976-91
	225SL58E	Detroit Locker 31/32" Pinion Offset	10.5"	3.54-4.56	35 Spline	1988-89
	225SL58D	Detroit Locker	10.5"	4.10 & Down	35 Spline	Varies
	225SL58C	Detroit Locker	10.5"	4.56 & Up	35 Spline	Varies
	225S14	Detroit Locker	10.5"	All	23 Spline	up to 1974
	225S18	Detroit Locker	10.5"	All	35 Spline	
	225SL56A	Detroit Locker	10.5"	All	35 Spline	1985 & up
	225SL107D	Detroit Locker	10.5"	4.10 & Down	32 Spline	Varies
	225SL107C	Detroit Locker	10.5"	4.56 & Up	32 Spline	Varies
ARB AIR LOCKER	RD53	ARB Airlocker	10.5"	4.56 & Up	35 Spline	Varies
	RD54	ARB Airlocker	10.5"	4.10 & Down	35 Spline	Varies
	RD65	ARB Airlocker	10.5"	4.56 & Up	35 Spline	Varies
	RD66	ARB Airlocker	10.5"	4.10 & Down	35 Spline	Varies
	RD97	ARB Airlocker	10.5"	4.56 & Up	32 Spline	Varies
	RD98	ARB Airlocker	10.5"	4.10 & Down	32 Spline	Varies
LOCK RIGHT	2710	Lock-Right Locker	10.5"	4.10 & Down	32 Spline	Varies
	2711	Lock-Right Locker	10.5"	4.56 & Up	32 Spline	Varies

When installing a Limited Slip, Posi additive M-19546-A-1 is required.

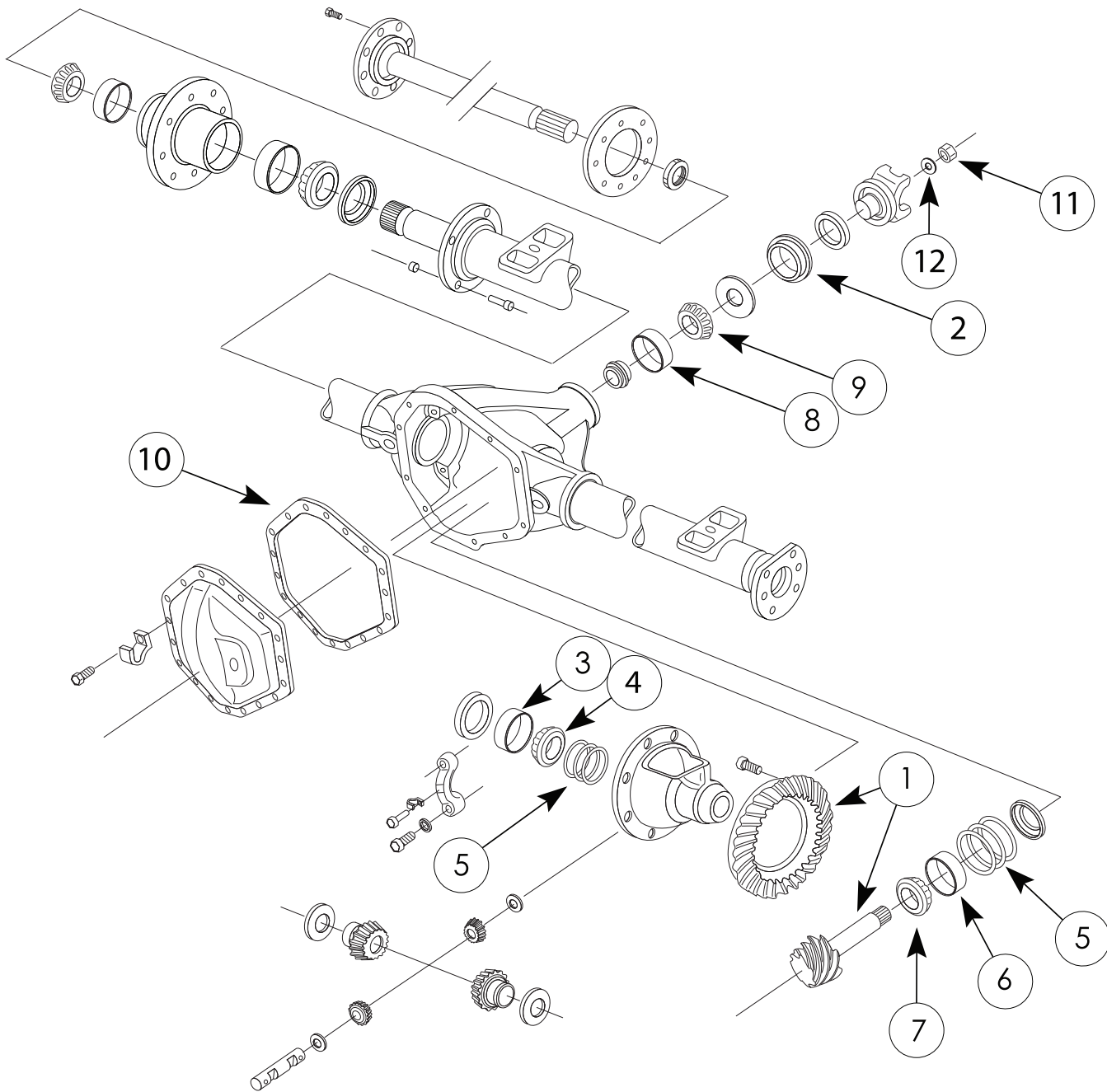
FOOTNOTES

(1) On Dana 70 please double check with our order desk to make sure that the application is correct.

*Vehicles with short wheel base may experience "understeer" characteristics with a locking differential installed.

**Bearing kit for Dana 70U and 71 use REM71

DANA 80



DANA 80"

Crown Diameter	11.25"
Crown Bolts	(12) 9/16" x 18 RH
Cover Bolts	10
Carrier Breaks	3.73/4.10
Pinion Spline	37, 2.00"

DANA 80

Illust #	Part #	Description	Req
1	80D-354	Crown & Pinion , 3.54 Ratio, Quality Gear	1
1	80D-373	Crown & Pinion , 3.73 Ratio, Quality Gear	1
1	80D-410	Crown & Pinion , 4.10 Ratio, Quality Gear	1
1	80D-463	Crown & Pinion , 4.63 Ratio, Quality Gear	1
1	80D-513	Crown & Pinion , 5.13 Ratio, Quality Gear	1

REM80DS MASTER OVERHAUL KIT*

Illust #	Part #	Description	Req
2	25140	Seal , Pinion	1
3	453X	Bearing , Side Differential (Cup)	2
4	469	Bearing , Side Differential (Cone)	2
5	707068X	Shim Set	1
6	HM807010	Bearing , Inner Pinion (Cup)	1
7	HM807046	Bearing , Inner Pinion (Cone)	1
8	M802011	Bearing , Outer Pinion (Cup)	1
9	M802048	Bearing , Outer Pinion (Cone)	1
10	38615	Gasket	1
11	37082	Pinion Nut	1
12	NSS	Pinion Washer	1

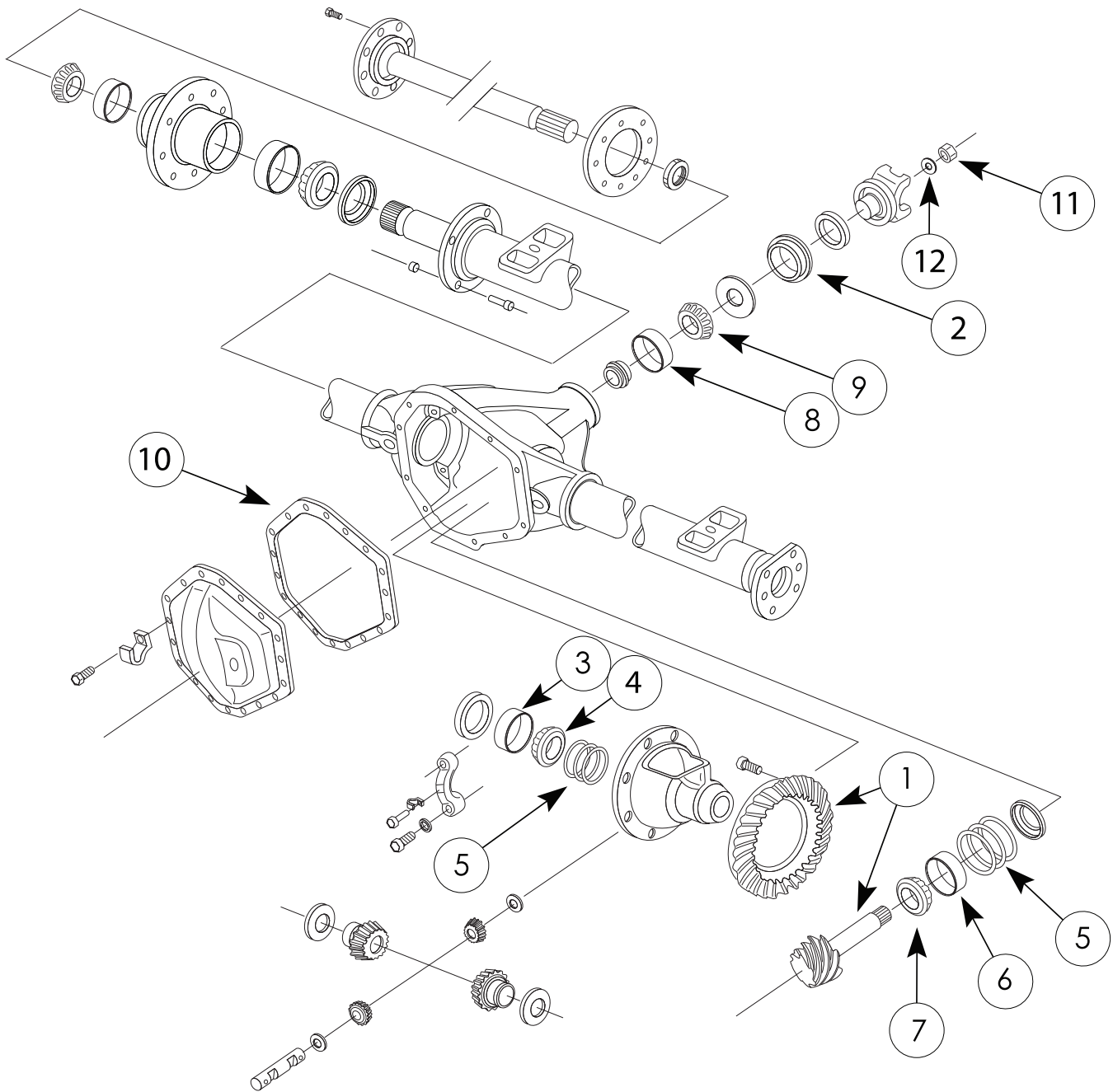
Loctite, Marking Compound, Sealant, Brush included.

REM80DSL MASTER OVERHAUL KIT



Illust #	Part #	Description	Req
2	4525V	Oil Seal	1
3	453X	Bearing , Side Differential (Cup)	2
4	469	Bearing , Side Differential (Cone)	2
5	707068X	Shim Set	1
6	M802011	Bearing , Outer Pinion (Cup)	1
7	M802048	Bearing , Outer Pinion (Cone)	1
8	NP516549	Bearing , Inner Pinion (Cup)	1
9	NP673386	Bearing , Inner Pinion (Cone)	1
10	38615	Gasket	1

Loctite, Marking Compound, Sealant, Brush included.

DANA 80



LIMITED SLIPS AND LOCKERS AVAILABLE FOR DANA 80 AXLE (1)

Manufacturer	Part #	Description	R.G. Size	Ratios	Spline	Years
<i>Detroit Locker</i>	225SL105A	Detroit Locker	11.5"	4.63 & 5.14	37 Spline	1992 & Up
	225SL131A	Detroit Locker	11.5"	4.10 & Up	35 Spline	1994 & Up
<i>Detroit Truetrac</i>	916A427	Detroit Truetrac	11.5"	4.10 & Up	37 Spline	1992 & Up
	916A566	Detroit Truetrac	11.5"	3.73 & Down	37 Spline	1992 & Up
	915A450	Detroit Truetrac	11.5"	4.10 & Up	35 Spline	1994 & Up
	915A567	Detroit Truetrac	11.5"	3.73 & Down	35 Spline	1994 & Up
	RD91	ARB Airlocker	11.5"	3.73 & Down	37 Spline	1992 & Up
	RD80	ARB Airlocker	11.5"	3.73 & Down	35 Spline	1994 & Up
	2810	Lock-Right Locker	-	All	35 Spline	Varies
	2811	Lock-Right Locker	-	All	37 Spline	Varies

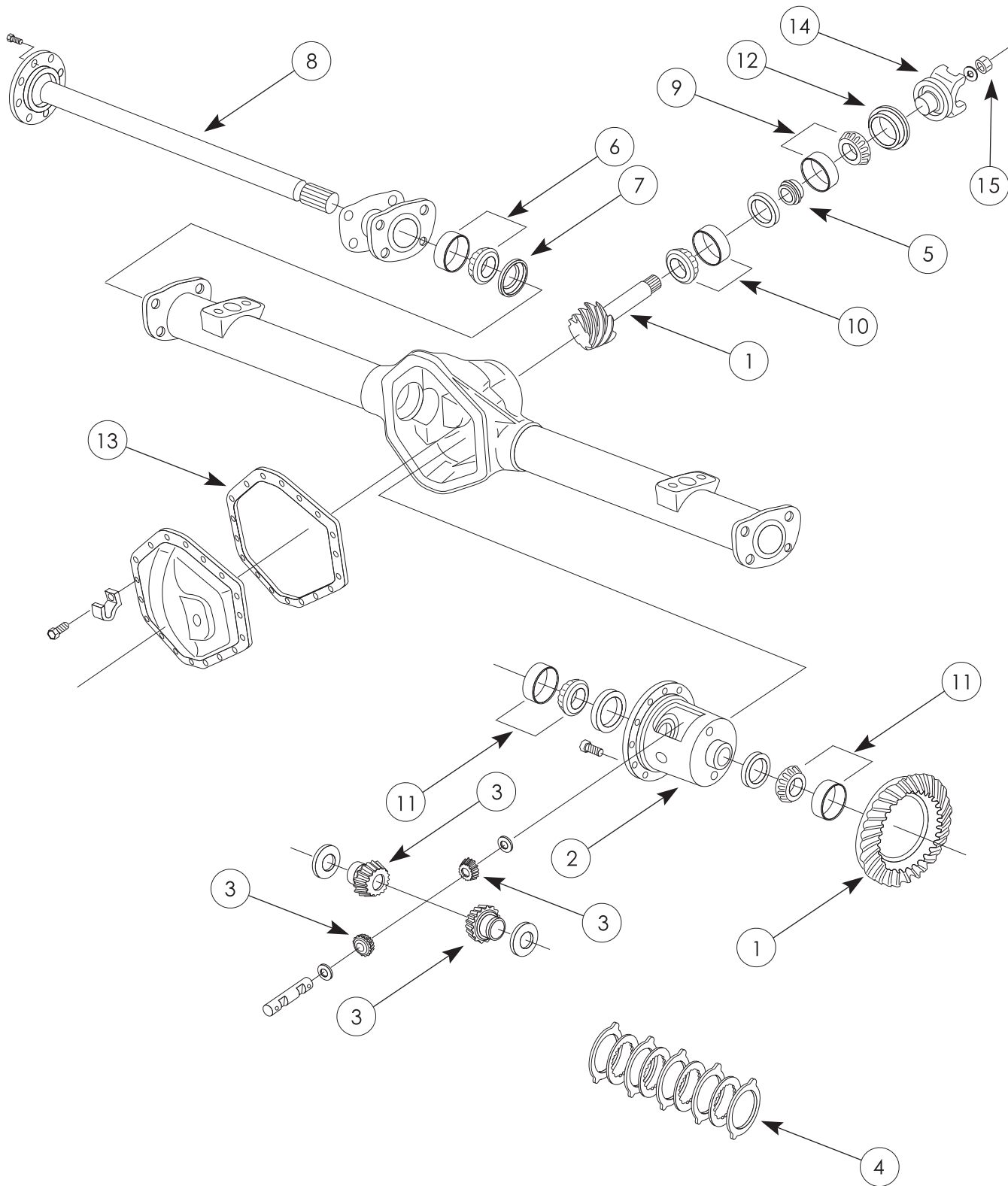
When installing a Limited Slip, Posi additive M-19546-A-1 is required.

FOOTNOTES

(1) Vehicles with short wheel base may experience "understeer" characteristics with a locking differential installed.

* 1998 & up may have different inner pinion bearings use Kit REM80DSL

AMC 20



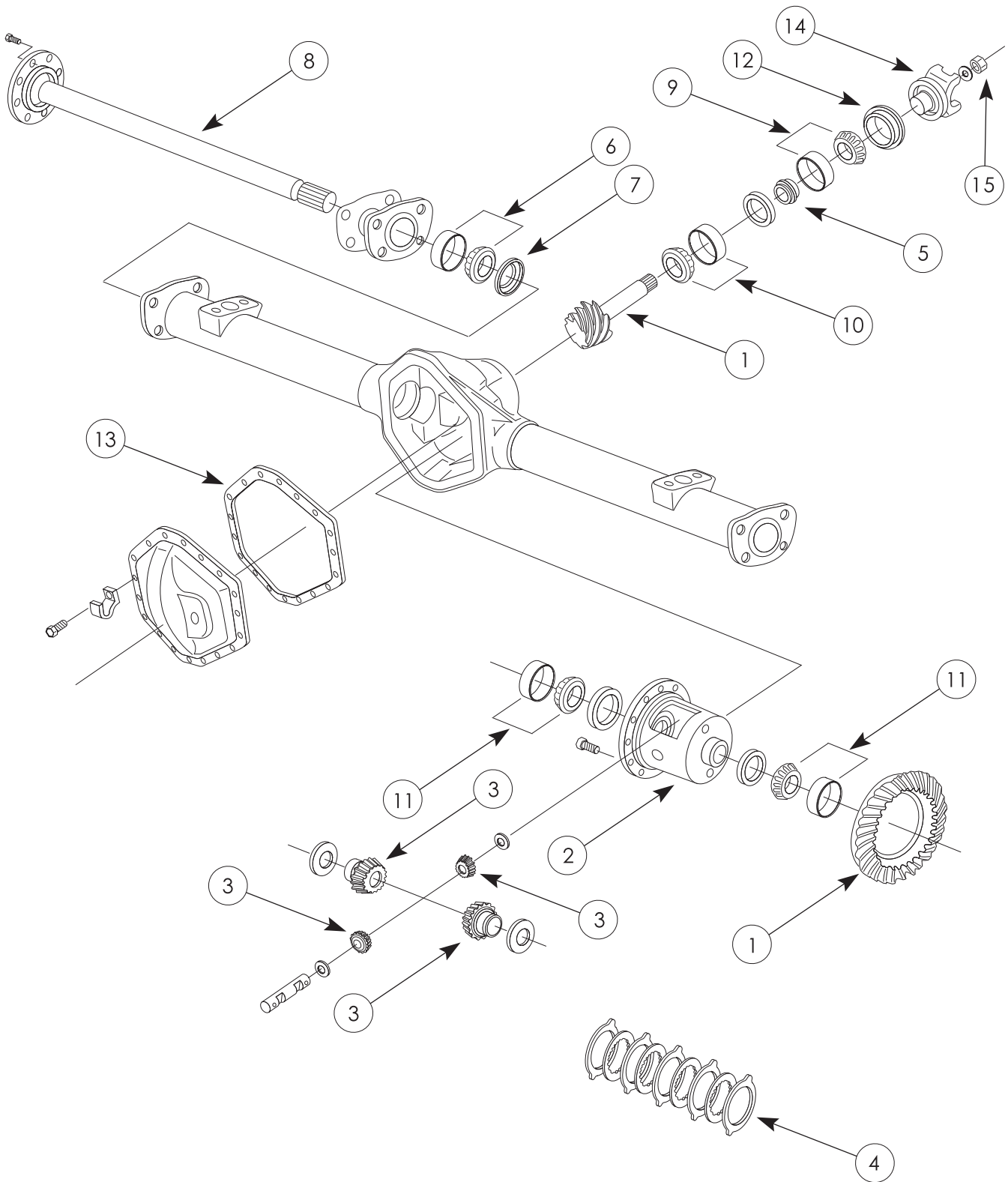
AMC MODEL 20

Crown Diameter	8.875"
Crown Bolts	(8) 7/16" x 20 RH
Cover Bolts	12
Carrier Breaks	2.73/3.08
Pinion Spline	28, 1.625"

AMC 20 REAR DIFFERENTIAL

Illust #	Part #	Description	Req
1	AMC20-273	Crown & Pinion , 2.73 Ratio, Quality Gear	1
1	AMC20-331	Crown & Pinion , 3.31 Ratio, Quality Gear	1
1	AMC20-354	Crown & Pinion , 3.54 Ratio, Quality Gear	1
1	AMC20-373	Crown & Pinion , 3.73 Ratio, Quality Gear	1
1	AMC20-410	Crown & Pinion , 4.10 Ratio, Quality Gear	1
1	AMC20-456	Crown & Pinion , 4.56 Ratio, Quality Gear	1
1	AMC20-488	Crown & Pinion , 4.88 Ratio, Quality Gear	1
2	J3212051	Empty Open Case 3.31 & 4.10	1
2	J3226978	Empty Open Case 2.73	1
2	J3235503	Case Assembly , Loaded, Non-Posi, 2.73 Ratio	1
2	J8120280	Empty Posi Case	1
3	27557X	Posi Nest Kit	1
3	J8127092	Open Nest Kit	1
4	706361X	Clutch Pack Kit	1
6	LM48510	Bearing, Axle (Cup)	1
6	LM48548	Bearing, Axle (Cone)	1
7	15141	Seal, Inner Axle (Flanged Axle)	1
7	13839CR	Seal, Inner Axle (Tapered Axle)	1
7	18731	Seal, Outer Axle (Flanged Axle)	1
8		Axle Shaft , Refer to Table	-

AMC 20



R20R - MASTER REBUILD KIT

Illust #	Part #	Description	Req
5	B7A 4662A	Crush Sleeve	1
9	M88010	Bearing , Pinion Outer (Cup)	1
9	M88048	Bearing , Pinion Outer (Cone)	1
10	M802011	Bearing , Pinion Inner (Cup)	1
10	M802048	Bearing , Pinion Inner (Cone)	1
11	LM603012	Bearing , Side Differential (Cup)	1
11	LM603049	Bearing , Side Differential (Cone)	1
12	18444	Seal , Pinion	1
15	390313S100	Nut , Pinion	1

Marking Compound, Shim Set, Sealant & Brush included.

LIMITED SLIPS AND LOCKERS AVAILABLE FOR AMC 20

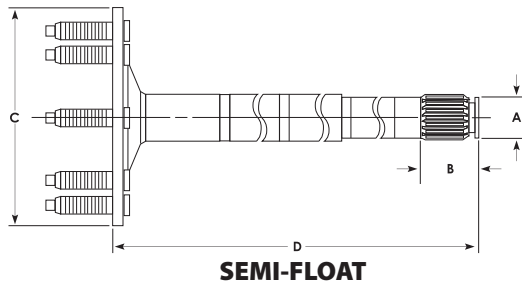
Manufacturer	Part #	Description	R.G. Size	Ratios	Spline	Years
<i>Detroit Locker</i>	187SL163A	Detroit Locker (Hummer Rear)	8 7/8"	2.73 & Dn	29 Spline	1976 - up
	187SL47A	Detroit Locker	8 7/8"	3.08 & Up	29 Spline	1976 - 86
	187SL147A	Detroit Locker	8 7/8"	3.08 & Up	29 Spline	1983 - up
<i>Detroit Truetrac</i>	912A549*	Detroit Truetrac	8 7/8"	2.73 & Down	29 Spline	Varies
	912A573	Detroit Truetrac	8 7/8"	2.73 & Down	29 Spline	Varies
	912A579	Detroit Truetrac	8 7/8"	3.08 & Up	29 Spline	Varies
<i>E-Z Locker</i>	813A016	Detroit E-Z Locker	8 7/8"	All	29 Spline	1980 - up
	542081	Auburn Limited Slip (Pro Series)	8 7/8"	3.07 & Up	29 Spline	1968 - up
	545006	Auburn Ected	8 7/8"	2.73 & Down	29 Spline	1966 - up
	545007	Auburn Ected	8 7/8"	3.08 & Up	29 Spline	1966 - up
	RD47**	ARB Airlocker	8 7/8"	2.73 & Down	29 Spline	Varies
	RD60	ARB Airlocker	8 7/8"	3.08 & Up	29 Spline	Varies
	813A016	Lock-Right Locker	8 7/8"	All	29 Spline	1976 - up

* Only work in Front Differential.

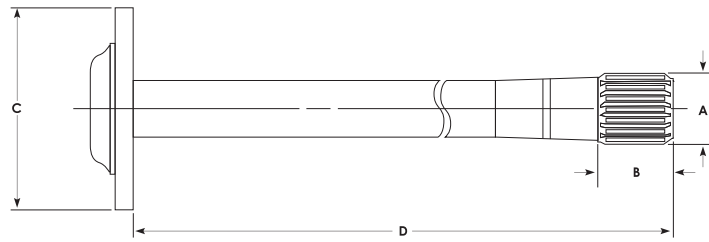
** 1999 & Newer Axle Shafts may need 0.005" Dia. removed for proper fit.
When installing a Limited Slip, Posi additive M-19546-A-1 is required.



REAR AXLE SHAFTS



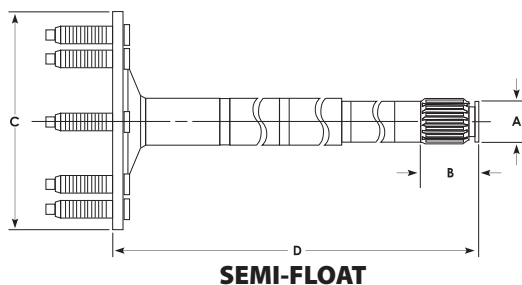
SEMI-FLOAT



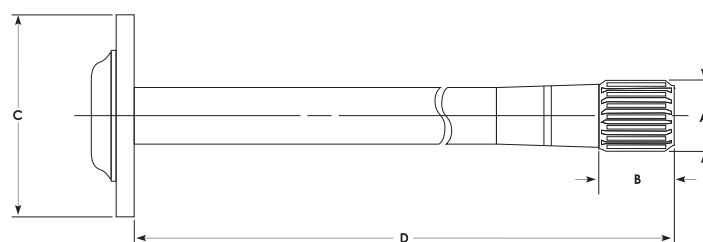
FULL FLOAT

Complete Shaft Assembly Part Number	Length of Flange Face To End Of Shaft D	Spline Dia. & Number Of Teeth A	Bolt Pattern	Float	Drive	Side
AMC Model 20						
1976-86 CJ5 One Piece Axles (set)						
EV20E	23.250	1.625-29	5 on 5.5	semi	4	both
EV20E	23.250	1.625-29	5 on 5.5	semi	4	both
1982-86 CJ7, CJ8 One Piece Axles (set)						
EV20L	24.750	1.625-29	5 on 5.5	semi	4	both
EV20L	27.813	1.625-29	5 on 5.5	semi	4	both
CJ w/Quadra-Trac (set)						
EV20Q	19.250	1.625-29	5 on 5.5	semi	4	both
EV20Q	30.500	1.625-29	5 on 5.5	semi	4	both
CHRYSLER 7.25"RG						
1987-90 Dakota						
4348511	30.250	25	5 on 4.5	semi	2	both
1991-96 Dakota						
4506147	30.250	25	6 on 4.5	semi	2	both
CHRYSLER 8.25"RG						
1987-90 Dakota						
4348510	30.750	27	5 on 4.5	semi	2/4	both
1991-96 Dakota						
4506115	30.750	27	6 on 4.5	semi	2/4	both
1985-93 D150 Pickup						
4137672	31.813	27	5 on 5.5	semi	2	both
1985-96 1500/2500						
4137670	32.563	27	5 on 5.5	semi	2/4	both
CHRYSLER 9.25"RG						
Up to 1978 Car, 1974-79 100/150 2WD, 1975-83 4WD Pickup						
7323828	31.650	31	5 on 4.5	semi	2/4	both
1980 - Apr/2/84 100/150 Pickup						
4037726	31.625	31	6 on 5.5	semi	4	both
Apr/3/84-93 100/150 Pickup						
4137429	34.630	31	5 on 5.5	semi	2/4	both
1992-02 1/2 & 3/4 ton Van						
5207708	32.563	31	5 on 5.5	semi	2	both

REAR AXLE SHAFTS



SEMI-FLOAT

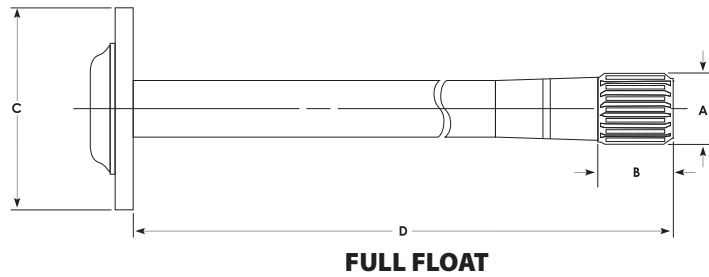
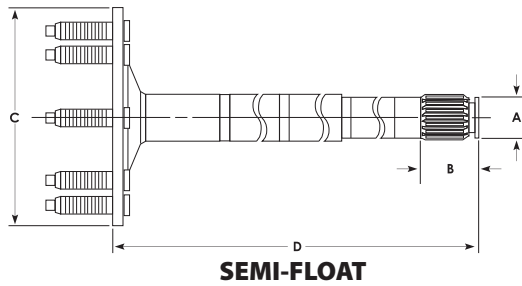


FULL FLOAT

Complete Shaft Assembly Part Number	Length of Flange Face To End Of Shaft D	Spline Dia. & Number Of Teeth A	Bolt Pattern	Float	Drive	Side
1994-00 1/2 ton						
52067614	34.000	31	5 on 5.5	semi	2/4	both
1997-02 Durango						
52069388	30.500	31	6 on 5.5	semi	2/4	RH
CHRYSLER 11.5"RG						
2003-Up Ram 2500						
5086775AB	37.200	30	n/a	full	2/4	both
2004-Up Ram 3500 Single Rear Wheel						
5086902AB	36.800	30	n/a	full	2/4	both
2005-Up Ram 3500 Dual Rear Wheel						
5086984AB	40.200	30	n/a	full	2/4	both
FORD 7.5"RG						
1982-92 Ranger						
E3TZ 4234 B	26.250	28	5 on 4.5	semi	2/4	RH
1993-97 Ranger						
F3TZ 4234 A	27.313	28	5 on 5.5	semi	2/4	RH
1986-97 Aerostar						
E3TZ 4234 C	29.125	28	5 on 4.5	semi	2/4	RH
1983-91 Bronco II						
E4TZ 4324 A	27.688	28	5 on 4.5	semi	2/4	both
1984-85 Cougar, Thunderbird w/ABS						
E5SZ 4234 A	30.000	28	4 on 4.5	semi	2	both
FORD 8.8"RG						
1979-93 Mustang						
D9BZ 4234 C	29.125	28	4 on 4.5	semi	2	both
1979-93 Mustang						
E3TZ 4234 C	29.125	28	5 on 4.5	semi	2	both
1994-98 Mustang w/o ABS						
F4ZZ 4234 A	29.938	28	5 on 4.5	semi	2	both
1994-98 Mustang w/o ABS						
F4ZZ 4234 B	29.938	28	5 on 4.5	semi	2	both
1999-04 Mustang						
XR3Z 4234 AA	30.625	28	5 on 4.5	semi	2	both
1983 F150, 1983-86 F150						
E3TZ 4234 D	31.063	31	5 on 5.5	semi	2/4	RH

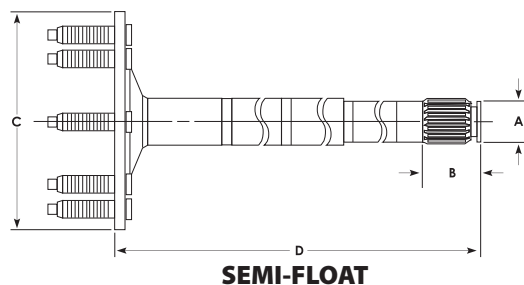


REAR AXLE SHAFTS

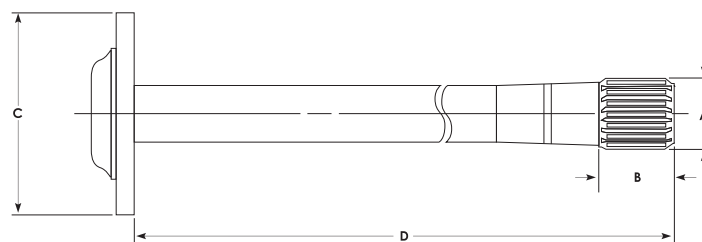


Complete Shaft Assembly Part Number	Length of Flange Face To End Of Shaft D	Spline Dia. & Number Of Teeth A	Bolt Pattern	Float	Drive	Side
1983 F100, 1983-86 F150/Bronco						
E3TZ 4234 E	33.188	31	5 on 5.5	semi	2/4	LH
1987-96 F150/Bronco						
E7TZ 4234 B	33.188	31	5 on 4.5	semi	2/4	LH
1987-96 F150/Bronco, 1987-97 E150						
E7TZ 4234 A	31.063	31	5 on 4.5	semi	2/4	RH
1987-Up F150						
E7UZ 4234 E	35.625	31	5 on 4.5	semi	2	LH
1997-Up F150/Expedition						
F75Z 4234 AA	31.750	31	dual	semi	2/4	RH
1997-Up F150/Expedition						
F75Z 4234 AB	33.750	31	dual	semi	2/4	RH
1990 1/2-94 Explorer						
F1TZ 4234 A	27.750	31	5 on 4.5	semi	2/4	RH
1990 1/2-94 Explorer						
F1TZ 4234 B	30.625	31	5 on 4.5	semi	2/4	LH
1995-Up Explorer						
F5TZ 4234 A	27.625	31	5 on 4.5	semi	2/4	RH
1995-Up Explorer						
F5TZ 4234 B	30.500	31	5 on 4.5	semi	2/4	LH
1997-03 F150, 2004 Heritage F150						
YL3Z 4234 BA	31.750	31	5 on 135mm	semi	2/4	RH
1997-03 F150, 2004 Heritage F150						
YL3Z 4234 BB	33.438	31	5 on 135mm	semi	2/4	LH
FORD 9"RG						
1966-70 Mustang, Cougar						
C09Z 4234 C	31.250	31	5 on 4.5	semi	2	RH
1966-70 Mustang, Cougar						
C09Z 4234 D	27.125	31	5 on 4.5	semi	2	LH
1974-86 F150, E150						
D6TZ 4234 A	31.844	31	5 on 4.5	semi	2/4	both
1966-75 Bronco						
PA5781L	27.250	28	5 on 4.5	semi	4	LH
1966-75 Bronco						
PA5781R	29.625	28	5 on 4.5	semi	4	RH

REAR AXLE SHAFTS



SEMI-FLOAT

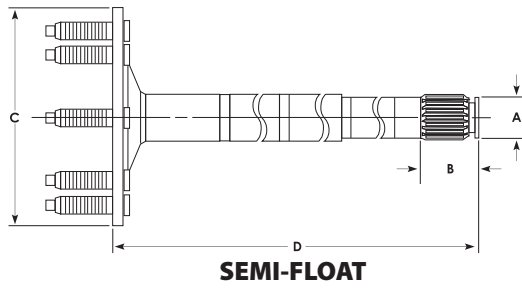


FULL FLOAT

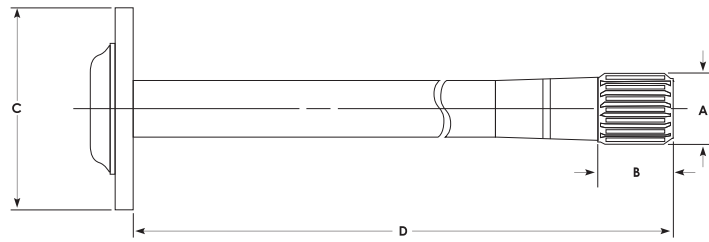
Complete Shaft Assembly Part Number	Length of Flange Face To End Of Shaft D	Spline Dia. & Number Of Teeth A	Bolt Pattern	Float	Drive	Side
1976-77 Bronco						
PA5787L	27.250	28	5 on 4.5	semi	4	LH
1976-77 Bronco						
PA5787R	29.688	28	5 on 4.5	semi	4	RH
FORD 9.75"RG						
2001 F150						
F75Z 4234 LB	33.500	34	5 on 135mm	semi	2/4	LH
2001 F150						
F75Z 4234 LA	31.813	34	5 on 135mm	semi	2/4	RH
1997-99 F150, Expedition, Navigator						
F75Z 4234 MB	33.375	34	5 on 135mm	semi	2/4	LH
1997-99 F150, Expedition, Navigator						
F75Z 4234 MA	31.813	34	5 on 135mm	semi	2/4	RH
FORD 10.25"RG						
1983-98 F250 Locking						
E5TZ 4234 E	35.438	35	n/a	full	2/4	RH
1983-98 F250 Locking						
E5TZ 4234 F	37.750	35	n/a	full	2/4	LH
1986-97 F250						
E6TZ 4234 B	30.563	35	dual	semi	2/4	RH
1986-97 F250						
E6TZ 4234 C	33.000	35	dual	semi	2/4	LH
GM 7.5"RG						
1983-89 S-Series Pickup						
14035368	29.000	26	5 on 4.75	semi	4	both
1988-Up S-Series, 1994-96 Bravada						
26013882	29.000	28	5 on 4.75	semi	4	both
1985-89 Astro Van						
14074821	34.750	26	5 on 5	semi	2	LH
1985-89 Astro Van						
14074822	30.313	26	5 on 5	semi	2	RH
1990-98 Astro Van						
26011054	34.813	28	5 on 5	semi	2/4	LH



REAR AXLE SHAFTS



SEMI-FLOAT

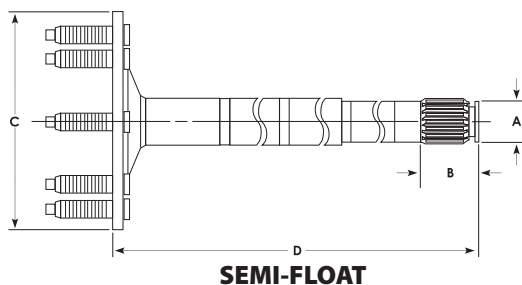


FULL FLOAT

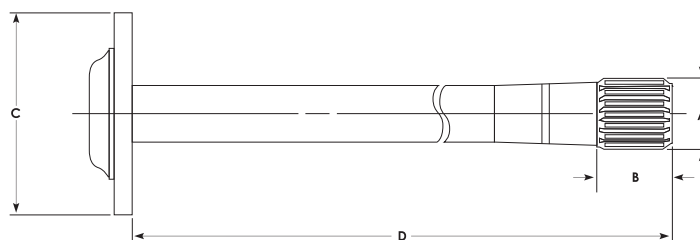
Complete Shaft Assembly Part Number	Length of Flange Face To End Of Shaft D	Spline Dia. & Number Of Teeth A	Bolt Pattern	Float	Drive	Side
1990-98 Astro Van						
26011055	30.313	28	5 on 5	semi	2/4	RH
GM 8"RG						
2002-Up Envoy, Trailblazer, Bravada (Disc)						
19133409	33.307	28	6	semi	2/4	LH
2004-Up Envoy, Trailblazer, Bravada (Drum)						
12479337	30.748	28	6	semi	4	LH
2004-Up Envoy, Trailblazer, Bravada (Drum)						
12479339	31.929	28	6	semi	2	LH
2002-Up Envoy, Trailblazer, Bravada (Disc)						
19133410	31.417	28	6	semi	2/4	RH
2004-Up Envoy, Trailblazer, Bravada (Drum)						
12479336	29.803	28	6	semi	4	RH
2004-Up Envoy, Trailblazer, Bravada (Drum)						
12479338	28.622	28	6	semi	2	RH
GM 8.2"RG						
1968-72 Chevelle, El Camino, 1970-81 Camaro (Big Spline)						
1255802	30.125	28	dual	semi	2	both
1965-67 Chevelle, El Camino, 1967-69 Camaro, 1970-75 Nova						
1255803	29.625	28	5 on 4.75	semi	2	both
1965-67 Chevelle, El Camino						
	30.438	28	dual	semi	2	both
GM 8.5"RG						
1979-89 2WD Pickup						
14035542	30.438	28	5 on 5	semi	2	both
1981-88 4WD Blazer, Suburban, 10/1500 Series Pickup						
14039547	31.375	28	6 on 5.5	semi	4	both
GM 8.2"RG						
1968-72 Chevelle, El Camino, 1970-81 Camaro (Big Spline)						
1255802	30.125	28	dual	semi	2	both
1965-67 Chevelle, El Camino, 1967-69 Camaro, 1970-75 Nova						
1255803	29.625	28	5 on 4.75	semi	2	both



REAR AXLE SHAFTS



SEMI-FLOAT

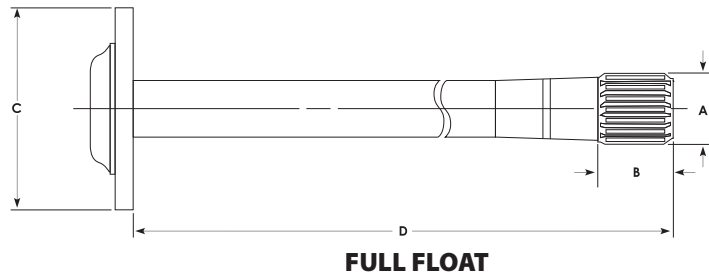
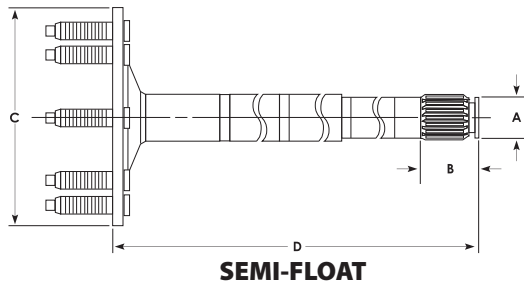


FULL FLOAT

Complete Shaft Assembly Part Number	Length of Flange Face To End Of Shaft D	Spline Dia. & Number Of Teeth A	Bolt Pattern	Float	Drive	Side
GM 8.5"RG						
1979-89 2WD Pickup						
14035542	30.438	28	5 on 5	semi	2	both
1981-88 4WD Blazer, Suburban, 10/1500 Series Pickup						
14039547	31.375	28	6 on 5.5	semi	4	both
1975-88 10/1500, 20/2500 Series Van						
14042690	33.313	28	5 on 5	semi	2	both
1988-91 4WD w/o IFS						
26010414	33.313	30	6 on 5.5	semi	4	both
1988-91 2WD Suburban, Blazer						
26010415	31.313	30	5 on 5	semi	2	both
1990-98 4WD w/o IFS						
26010416	31.375	30	6 on 5.5	semi	4	both
1992-Up C/K Series & RV						
26010417	33.000	30	5 on 5	semi	2/4	both
1988-95 10/1500, 20/2500 Series Pickup						
26013313	33.313	30	5 on 5	semi	2/4	both
GM 8.6"RG						
1999-Up						
40003984	33.313	30	6 on 5.5	semi	2/4	both
1968-72 Chevelle, El Camino, 1970-81 Camaro (Big Spline)						
3969285	30.063	30	dual	semi	2	both
1968-72 Chevelle, El Camino, 1970-81 Camaro (Big Spline)						
3969349	29.563	30	dual	semi	2	both
Van						
6264673	33.438	30		semi		both
1970-81 4WD Pickup						
14071750	31.281	30	6 on 5.5	semi	4	both
1970-81 2WD Pickup						
14071751	31.313	30	5 on 5.5	semi	2	both
GM 9.5"RG						
1981-96 Chevy Van 30 (LH only)						
14035355	36.000	1.375-33	8 on 6.5	semi	2	LH

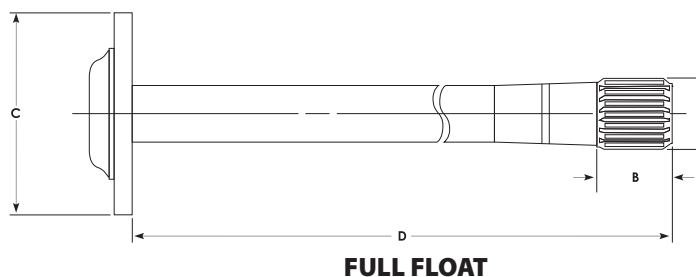
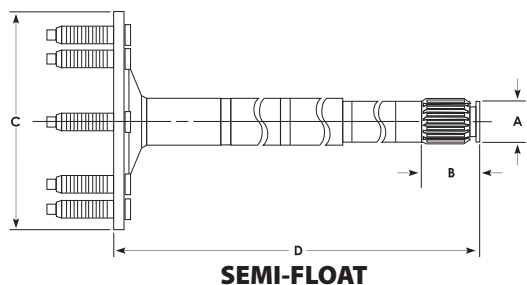


REAR AXLE SHAFTS



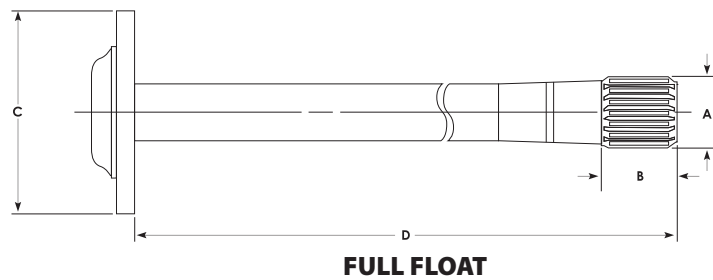
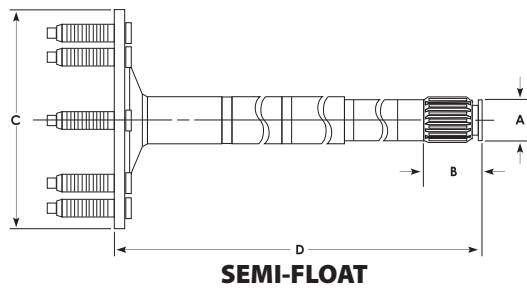
Complete Shaft Assembly Part Number	Length of Flange Face To End Of Shaft D	Spline Dia. & Number Of Teeth A	Bolt Pattern	Float	Drive	Side
1981-96 20/500, 30-3500 Pickup, Chevy Van 30 (RH only)						
14035395	32.750	1.375-33	8 on 6.5	semi	2	both
1988-98 1500/2500 4WD						
15521928	33.125	1.375-33	6 on 6.5	semi	4	both
1988-98 1500/2500 Van						
15522068	33.563	1.375-33	6 on 5.5	semi	2	both
1988-98 2500/3500 Pickup						
15522070	31.813	1.375-33	8 on 6.5	semi	2/4	both
GM 10.5"RG						
1973-98 Pickup, Suburban, Van						
3977383	31.688	1.50-30	n/a	full	2/4	LH
1973-98 Pickup, Suburban, Van						
3977384	37.563	1.50-30	n/a	full	2/4	RH
1990-03 3/4 & 1 ton w/ dual rear wheels						
26011161	37.500	1.50-30	n/a	full	2/4	LH
1990-03 3/4 & 1 ton w/ dual rear wheels						
26011162	41.625	1.50-30	n/a	full	2/4	RH

REAR AXLE SHAFTS



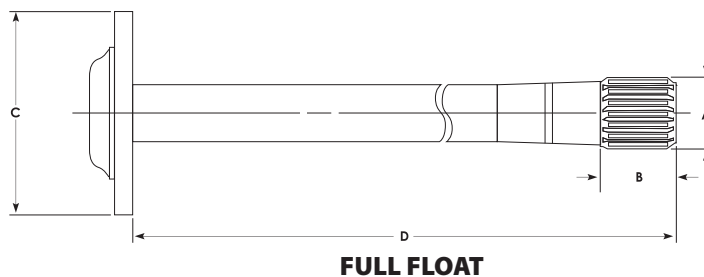
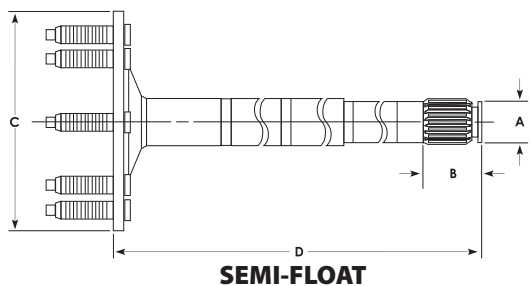
Complete Shaft Assembly Part Number	Length of Flange Face To End Of Shaft D	Spline Dia. & Number Of Teeth A	Spline Length B	Flange Diameter C	Bolt Circle	Number of Bolts	Float
CHRYSLER/DODGE							
<i>Model 60/248 Rear 1994-1998 Ram</i>							
43965-4	36.76	1.31-30	1.81	4.73	3.96	8	FULL
CHRYSLER/DODGE							
<i>Model 60/248 Rear 1979-1998 (Not Including Ram)</i>							
35953-6	37.22	1.31-30	1.81	4.74	3.96	8	FULL
35953-5	31.22	1.31-30	1.81	4.74	3.96	8	FULL
35953-4	41.64	1.31-30	1.81	4.74	3.96	8	FULL
43965-3	37.22	1.31-30	1.81	4.73	3.96	8	FULL
43811-12	36.71	1.37-32	1.62	4.72	3.96	8	FULL
43965-2	31.22	1.31-30	1.81	4.73	3.96	8	FULL
CHRYSLER/DODGE							
<i>Model 70/267 Rear 1979-1993 (Not Including Ram)</i>							
35091-29	34.24	1.50-35	1.62	4.74	3.96	8	FULL
070SR124-2	36.94	1.50-35	1.62	4.74	3.96	8	FULL
43811-3	36.93	1.37-32	1.62	4.72	3.96	8	FULL
43811-1	34.24	1.37-32	1.62	4.72	3.96	8	FULL
CHRYSLER/DODGE							
<i>Model 80/286 Rear 1994-1998</i>							
45553-3	36.5	1.50 - 35	1.74	4.74	3.96	8	FULL
45553-2	39	1.50 - 35	1.74	4.74	3.96	8	FULL
45553-1	36.65	1.50 - 35	1.74	4.74	3.96	8	FULL
FORD							
<i>Model 30/194 Rear 1986-1989 Aerostar</i>							
72499-2X	31.34	1.18 - 27	1.50	6.16	4.50	5	SEMI
72499-1X	29.63	1.18 - 27	1.50	6.16	4.50	5	SEMI
FORD							
<i>Model 60/248 Rear 1978-1998</i>							
35467-3	34.56	1.31 - 30	1.81	4.75	3.96	8	FULL
43811-17	37.64	1.37 - 32	1.62	4.72	3.96	8	FULL
43811-16	34.92	1.37 - 32	1.62	4.72	3.96	8	FULL
75344-2X	34.13	1.50 - 35	1.65	8.05	6.50	8	SEMI
75344-1X	31.41	1.50 - 35	1.65	8.05	6.50	8	SEMI

REAR AXLE SHAFTS



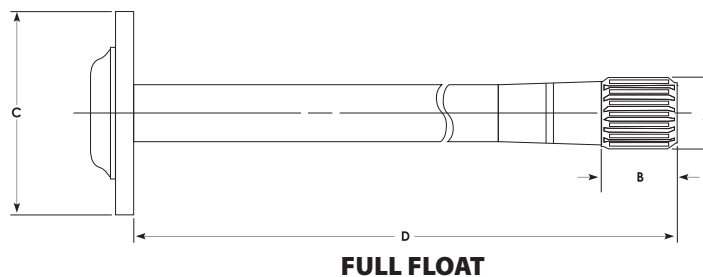
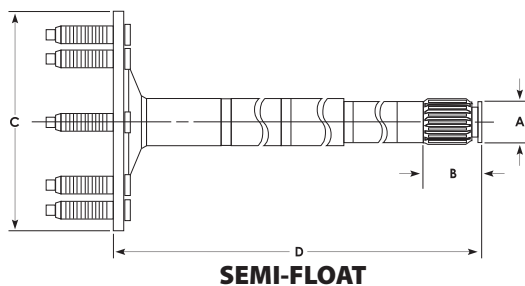
Complete Shaft Assembly Part Number	Length of Flange Face To End Of Shaft D	Spline Dia. & Number Of Teeth A	Spline Length B	Flange Diameter C	Bolt Circle	Number of Bolts	Float
76002-2X	34.08	1.50 - 35	1.65	7.98	6.50	8	SEMI
76002-1X	31.36	1.50 - 35	1.65	7.98	6.50	8	SEMI
706746-1X	30.65	1.50 - 35	1.66	8.05	6.50	8	SEMI
FORD							
Model 61 Rear 1979-1987							
37560-3	33.77	1.31 - 30	1.81	4.75	3.96	8	FULL
39260-8	37.71	1.31 - 30	1.81	4.75	3.96	8	FULL
706746-4X	34.12	1.50 - 35	1.66	8.00	6.50	8	SEMI
706746-3X	31.41	1.50 - 35	1.66	8.00	6.50	8	SEMI
FORD							
Model 70/267 Rear 1978-1998							
36113-28	40.75	1.50 - 35	1.63	4.75	3.96	8	FULL
36113-21	34.85	1.50 - 35	1.63	4.75	3.96	8	FULL
36113-1	35.05	1.50 - 35	1.63	4.75	3.96	8	FULL
43811-7	40.75	1.37 - 32	1.62	4.72	3.96	8	FULL
46930-4	43.00	1.50 - 35	1.62	4.74	3.96	8	FULL
46930-3	39.65	1.50 - 35	1.62	4.74	3.96	8	FULL
FORD							
Model 80/268 Rear 1992-1998							
43651-1	37.67	1.60 - 37	1.75	5.17	4.33	8	FULL
46930-2	42.47	1.50 - 35	1.62	4.74	3.96	8	FULL
46930-1	40.05	1.50 - 35	1.62	4.74	3.96	8	FULL
47847-4	38.74	1.50 - 35	1.62	4.88	4.02	8	FULL
47847-3	37.38	1.50 - 35	1.62	4.88	4.02	8	FULL
47847-2	40.24	1.50 - 35	1.62	4.88	4.02	8	FULL
47847-1	38.88	1.50 - 35	1.62	4.88	4.02	8	FULL
47852-1	40.07	1.58 - 37	1.75	6.07	5.22	8	FULL
GM/CHEVROLET							
Model 44/216 Rear 1984-1994 F-Car							
74555-2X	29.56	1.31 - 30	1.81	5.87	4.75	5	SEMI
GM							
Model 60/248 Rear 1979-1991 G-Van							
41100-1	39.69	1.50 - 35	1.63	4.47	3.56	8	FULL

REAR AXLE SHAFTS



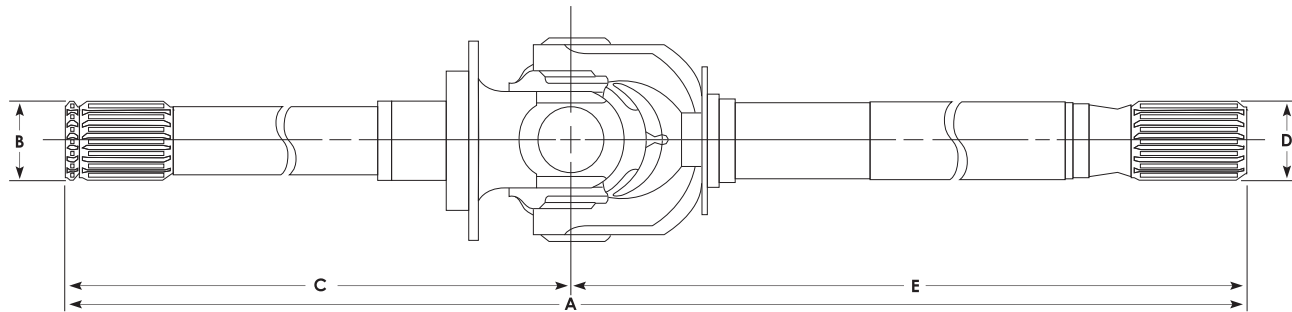
Complete Shaft Assembly Part Number	Length of Flange Face To End Of Shaft D	Spline Dia. & Number Of Teeth A	Spline Length B	Flange Diameter C	Bolt Circle	Number of Bolts	Float
GM/CHEVROLET							
Model 70/267 Rear 1979-1997							
36625-1	36.18	1.50 - 35	1.62	3.90	0.00	0	FULL
GM/CHEVROLET							
Model 80/268 Rear 1992-1998							
44264-2	39.27	1.58 - 37	1.74	3.90	0.00	0	FULL
44264-1	36.17	1.58 - 37	1.74	3.90	0.00	0	FULL
47037-2	39.28	1.58 - 37	1.74	5.12	0.00	0	FULL
47037-1	36.19	1.58 - 37	1.74	5.12	0.00	0	FULL
JEEP							
Model 35/194 Rear 1985-1998							
72912-2X	30.35	1.18 - 27	1.50	5.94	4.50	5	SEMI
72912-1X	28.85	1.18 - 27	1.50	5.94	4.50	5	SEMI
73422-1X	28.85	1.18 - 27	1.50	5.94	4.50	5	SEMI
73624-2X	30.54	1.18 - 27	1.38	5.94	4.50	5	SEMI
73624-1X	29.04	1.18 - 27	1.38	5.94	4.50	5	SEMI
73879-2X	30.54	1.18 - 27	1.38	5.94	4.50	5	SEMI
73879-1X	29.04	1.18 - 27	1.38	5.94	4.50	5	SEMI
74356-2X	30.54	1.18 - 27	1.37	5.94	4.50	5	SEMI
74356-1X	29.04	1.18 - 27	1.37	5.94	4.50	5	SEMI
74789-2X	30.54	1.18 - 27	1.38	5.94	4.50	5	SEMI
74789-1X	29.04	1.18 - 27	1.38	5.94	4.50	5	SEMI
76467-4X	31.74	1.18 - 27	2.56	6.50	5.00	5	SEMI
76467-3X	30.25	1.18 - 27	2.56	6.50	5.00	5	SEMI
JEEP							
Model 44/216 Rear 1977-1988							
72903-2X	25.29	1.31 - 30	1.81	7.06	5.50	5	SEMI
72903-1X	28.79	1.31 - 30	1.81	7.06	5.50	5	SEMI
73499-2X	29.25	1.31 - 30	1.81	5.94	4.50	5	SEMI
73499-1X	29.74	1.31 - 30	1.81	5.94	4.50	5	SEMI
75786-2X	29.20	1.31 - 30	1.81	5.94	4.50	5	SEMI
757861X	29.70	1.31 - 30	1.81	5.94	4.50	5	SEMI
76454-4X	31.34	1.31 - 30	2.76	6.50	5.00	5	SEMI
76454-3X	30.34	1.31 - 30	2.76	6.50	5.00	5	SEMI
76454-2X	32.33	1.31 - 30	2.76	6.50	5.00	5	SEMI
76454-1X	29.34	1.31 - 30	2.76	6.50	5.00	5	SEMI

REAR AXLE SHAFTS



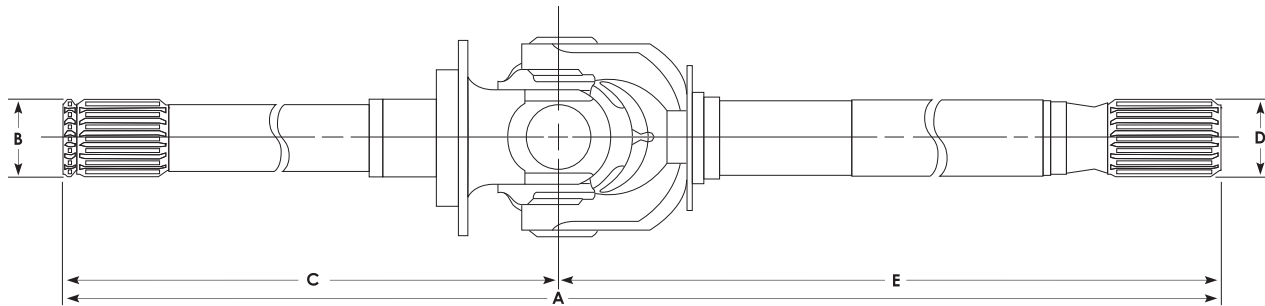
Complete Shaft Assembly Part Number	Length of Flange Face To End Of Shaft D	Spline Dia. & Number Of Teeth A	Spline Length B	Flange Diameter C	Bolt Circle	Number of Bolts	Float
JEEP							
<i>Model 44/216 Rear 1977-1979 Cherokee</i>							
28497-1X	25.24	1.31 - 30	1.81	7.06	5.50	6	SEMI
28497-2X	31.68	1.31 - 30	1.81	7.06	5.50	6	SEMI
28497-3X	22.78	1.31 - 30	1.81	7.06	5.50	6	SEMI
28497-4X	34.14	1.31 - 30	1.81	7.06	5.50	6	SEMI
JEEP							
<i>Model 44/216 Rear 1988-1996</i>							
73499-1X	29.74	1.31 - 30	1.81	5.94	4.50	5	SEMI
73499-2X	29.25	1.31 - 30	1.81	5.94	4.50	5	SEMI
JEEP							
<i>Model 44/216 Rear 1997-1999 TJ</i>							
75786-1X	29.70	1.31 - 30	1.81	5.94	4.50	5	SEMI
75786-2X	29.20	1.31 - 30	1.81	5.94	4.50	5	SEMI
JEEP							
<i>Model 44/216 Rear 1982-1985 CJ</i>							
28497-5X	29.81	1.31 - 30	1.81	7.06	5.50	6	SEMI
28497-14X	27.81	1.31 - 30	1.81	7.06	5.50	6	SEMI
JEEP							
<i>Model 44/216 Rear 1986 CJ7</i>							
72903-1X	28.79	1.31 - 30	1.81	7.06	5.50	6	SEMI
72903-2X	25.29	1.31 - 30	1.81	7.06	5.50	6	SEMI
JEEP							
<i>Model 44/216 Rear 1987-1992 Grand Wagoneer</i>							
28497-8X	29.44	1.31 - 30	1.81	7.06	5.50	6	SEMI
28497-9X	27.44	1.31 - 30	1.81	7.06	5.50	6	SEMI
JEEP							
<i>Model 44/216 Rear 1978-1998 Grand Cherokee</i>							
74871-2X	30.25	1.31 - 30	1.80	5.94	4.50	5	SEMI
74871-1X	29.26	1.31 - 30	1.80	5.94	4.50	5	SEMI

FRONT AXLE SHAFTS



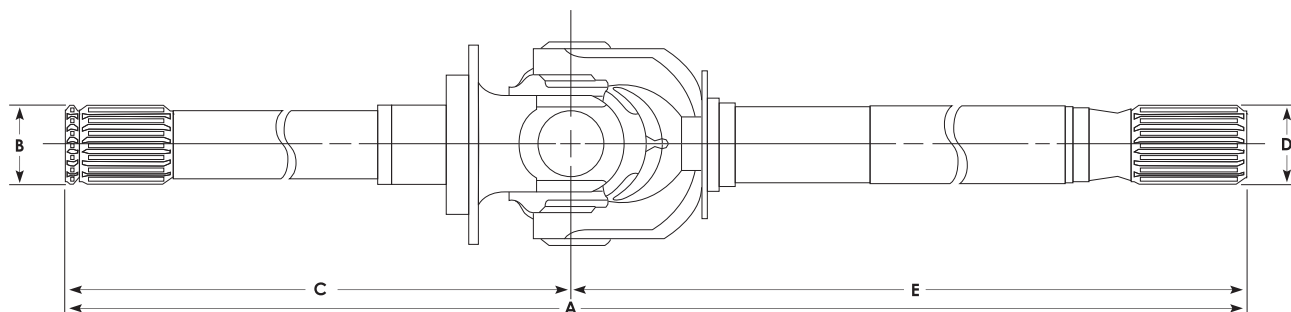
Complete Assembly Part Number	OUTER SHAFT SPINDLE END				INNER SHAFT SIDE GEAR		
	Assembly Overall Length A	Outer Shaft Length C	Yoke Shaft Number	Slinger	Length E	Yoke Shaft Number	Slinger
CHRYSLER/DODGE							
<i>Model 60/248 Disconnect Front 1994-1998</i>							
USES U-JOINT KIT SPL55-3X							
708063	26.18	B=1.41-33	D=1.90-18	45969	45520	80178-1	50381
USES U-JOINT KIT SPL55-3X							
708064	26.52	B=1.41-33	D=1.37-32	49569	45520	80178-1	50381
CHRYSLER/DODGE							
<i>Model 44/216 Front 1979-1989</i>							
USES U-JOINT KIT 5-297X							
660599 - 3	26.03	B=1.25-19	D=1.31-30	621063	36364	27902-25X	-
71628 - 1X	28.03	9.71	36503	36364	18.31	27902-11X	-
CHRYSLER/DODGE							
<i>Model 44/216 Disconnect Front 1994-1998 Ram</i>							
USES U-JOINT KIT 5-297X							
76812-1X	26.39	B=1.41-33	D=1.60-15	49255	45942	76815-1X	49254
74759-1X	26.39	6.77	44985	-	19.61	74793-1X	-
CHRYSLER/DODGE							
<i>Model 60/248 Disconnect Front 1979-1993</i>							
USES U-JOINT KIT 5-332X							
907967-2	47.20	B=1.31-30	D=1.50-35	40955	37308	660182-2	-
CHRYSLER/DODGE							
<i>Model 60/248 Disconnect Front 1994-1998</i>							
USES U-JOINT KIT SPL55-3X							
76471X	25.37	B=1.41-33	D=1.60-15	46901	45520	74752X	-
76627X	25.37	7.05	46901	45520	18.31	74752X	-
USES U-JOINT KIT SPL55-3X							
76472X	25.64	B=1.41-33	D=1.31-30	46901	45520	75594X	-
76628X	25.64	7.05	46901	45520	18.59	75594X	-
USES U-JOINT KIT 5-297X							
76813-1X	26.89	B=1.41-33	D=1.31-30	49255	45942	76814-1X	49254
CHRYSLER/DODGE							
<i>Model 44/216 Front 1988-1997</i>							
USES U-JOINT KIT 5-297X							
73578-1	29.12	B=1.25-19	D=1.59-15	621063	36364	73579-1X	-
73578-2	28.24	9.92	621063	-	18.32	73579-2X	-

FRONT AXLE SHAFTS



Complete Assembly Part Number	OUTER SHAFT SPINDLE END				INNER SHAFT SIDE GEAR		
	Assembly Overall Length A	Outer Shaft Length C	Yoke Shaft Number	Slinger	Length E	Yoke Shaft Number	Slinger
FORD							
<i>Model 28/174 IFS Front 1983-1997</i>							
USES U-JOINT KIT 5-456X							
71702 - 1X	26.91	B=1.00-23 7.66	D=1.19-28 40394	-	19.25	71693X	-
71703 - 1X	21.42	7.66	40394	-	13.76	660548-2	-
USES U-JOINT KIT 5-456X							
74931 - 1X	27.84	B=1.16-27 7.94	D=1.36-31 42569	-	19.9	72112-4X	-
FORD							
<i>Model 35/194 IFS Front w/Cardan Joints 1990-1997</i>							
USES U-JOINT KIT 5-297X							
74931-1X	27.84	B=1.61-27 7.94	D=1.36-31 42569	-	19.90	72112-4X	-
FORD							
<i>Model 44/216 Front 1979</i>							
USES U-JOINT KIT 5-297X							
660106 - 1	46.62	B=1.25-19 9.72	D=1.31-30 620160	36364	33.91	27902-3X	-
660124 - 1	43.62	9.72	620200	36364	33.91	27902-3X	-
660124 - 2	28.62	9.72	620200	-	18.91	27902-4X	36364
660124 - 3	44.47	9.72	620200	36364	34.75	27902-35X	-
660124 - 4	28.35	9.72	620200	36364	18.63	27902-31X	-
FORD							
<i>Model 44/216 IFS 1980-1996</i>							
USES U-JOINT KIT 5-297X							
71394 - 1X	25.60	B=1.25-19 9.92	D=1.31-30 39905	36364	15.69	27902-53X	-
71396 - 1X	26.91	9.81	39906	36364	17.11	660266-8	-
74813 - 1X	25.60	9.92	39905	-	15.68	27902-53X	-
USES U-JOINT KIT 5-297X							
72045 - 1X	33.46	B=1.25-19 9.81	D=1.37-31 39906	36364	23.65	72212-2X	-
72044 - 1X	34.69	9.92	39905	36364	24.77	72112-1X	-
FORD							
<i>Model 60/248 1978-1998</i>							
USES U-JOINT KIT SPL55-4X							
76659-2X	48.37	B=1.31-30 11.40	D=1.50-35 48903	-	36.97	76660-2X	-
GMC/CHEVROLET							
<i>Model 44/216 1978-1980</i>							
USES U-JOINT KIT 5-297X							
29833-1X	28.43	B=1.25-19 9.93	D=1.31-30 38347	36364	18.50	27902-1x	-
29833-2X	46.06	9.94	38347	36364	36.13	27902-2x	-

FRONT AXLE SHAFTS



Complete Assembly Part Number	OUTER SHAFT SPINDLE END				INNER SHAFT SIDE GEAR		
	Assembly Overall Length A	Outer Shaft Length C	Yoke Shaft Number	Slinger	Length E	Yoke Shaft Number	Slinger
JEEP							
<i>Model 30/181 Front 1978-1998</i>							
USES U-JOINT KIT 5-297X							
		B=1.16-27	D=1.16-27				
75814 - 1X	22.68	6.11	43205	46988	16.57	73898-1X	46849
75814 - 2X	38.52	6.11	43205	46988	32.40	73898-2X	46849
USES U-JOINT KIT 5-297X							
		B=1.16-27	D=1.60-15				
75588 - 1X	21.91	6.11	43205	4698815.8	15.80	75527-1X	-
JEEP							
<i>Model 30/181 Disconnect Front 1984-1996</i>							
USES U-JOINT KIT 5-297X							
		B=1.16-27	D=1.60-15				
75588-1X	21.91	6.11	43205	46988	15.80	75527-1X	-
75589-1X	21.91	6.11	43205	-	15.80	75527-1X	-
JEEP							
<i>Model 30/181 w/Collapsible Spacer 1992-1996</i>							
CV Axles							
		B=1.17-27	D=1.16-27				
73918-1X	22.68	6.11	-	-	16.57	-	-
73918-2X	38.51	6.11	-	-	32.40	-	-
USES U-JOINT KIT 5-297X							
		B=1.16-27	D=1.16-27				
75815-1X	22.68	6.11	43205	-	16.57	73898-1X	46849
74931 - 1X	27.84	7.94	42569	-	19.90	72112-4X	-

HUB APPLICATION GUIDE



VEHICLE Model/Year	SUPREME		STREET MASTER		SELECTRO Classic	NUT CONVERSION KIT If required
	Chrome	Stainless	Chrome	Stainless		
AMC/Jeep						
CJ Universal '42 - '71 (6 Bolt 10 Spline)	481					
CJ Universal '72 - '80 (6 Bolt 27 Spline)	457					
Wagoneer '71 - '73	457					
CJ Universal '81 - '86 (5 Bolt 27 Spline)	470					
J10 Pickup '74 - '80		104	302	103		
J20 Pickup '74 - '77 (6 Bolt 19 Spline)	423					
J20 Pickup '78 - '90		104	302	103		
Wagoneer, Cherokee '74 - '87		104	302	103		
Gladiator '74 - '87		104	302	103		
Military 1 1/4 Ton					11035-01	
M725, M726, M728, M715					11035-01	
British Leyland						
Land Rover (6 Bolt 10 Spline Axle)	420					
Land Rover (6 Bolt 24 Spline Axle)	420					
Series I, II, III, All W.B.	432					
Chevrolet/GMC						
Blazer, Suburban, Jimmy '69 - '91		104	302	103		
1/2 Ton Pickup (K-10) '69 - '87		104	302	103		
3/4 Ton Pickup Chevy '78 - '87		104	302	103		
3/4 Ton GMC '78 - '87	402	104	302	103		
1/2 Ton Pickup '54 - '55					11027-01	
Chevy 3/4-Ton Pickup '54 - '56					11027-01	
Chevy 1/2-Ton Pickup '56					11026-01	
GMC 1/2-Ton Pickup '56 - '57					11026-01	
Chevy 1/2 Ton Pickup '57 - '59					11016-01	
GMC 1/2 Ton Pickup '58 - '59					11016-01	
Chevy 1/2 Ton Pickup '60 - '68					11001-01	



HUB APPLICATION GUIDE

VEHICLE Model/Year	SUPREME		STREET MASTER		SELECTRO Classic	NUT CONVERSION KIT If required
	Chrome	Stainless	Chrome	Stainless		
Chevy 3/4-Ton Pickup '60 - '77	423					
Chevy 1-Ton (K-30) Pickup '78 - '87		449SS				
Chevy 1-Ton Dana 50&60 Axle '77 - '87		449SS				
Chevy 3/4 & 1-Ton Pickup '57 - '59					11025-01	
GMC 3/4 & 1-Ton Pickup '58 - '59					11025-01	
GMC 350, 370 NAPCO Axle					11025-01	
Chrysler/Plymouth/Dodge						
Ram Charger/Trail Duster '80 - '93		104	302	103		
1/2 Ton W-100 Pick Up '69 - '74, '80 - '93		104	302	103		
1/2-Ton W-100 Pick Up '57 - '68 (6 Bolt 19 Spline)		423				
3/4-Ton W-200 Pickup except full time 4WD '57 - '74		423				
1/2-Ton Military Pick Up '41 - '46					11027-01	
1-Ton W-300 Series '58 - '67					11035-01	
1-Ton W-300 Series '68 - '75					11017-01	
1-Ton W-300 Series '76 - '89					11034-01	
1-Ton Dana 50 & 60 Axle '90 - '93		449SS				
1-Ton WC-50, WC-60					11022-01	
Power Wagon '42 - '56					11022-01	
1-Ton WM-300 '57 - '75					11022-01	
Ford						
Bronco '67-'87, '90-'96 (A,B)		104	302	103		95-32720
Bronco II, Ranger '83-'89 (A,C)	427					95-27988
Explorer '90-'94 (A,C)	428					95-27997
Ranger '90-'97 (A,C)	428					95-27997
1/2-Ton Pickup '59-'87, '90-'96 (A,B)		104	302	103		95-32720
3/4-Ton Pickup w/Spline wheel hub (A,B)		104	302	103		95-32720

HUB APPLICATION GUIDE



VEHICLE Model/Year	SUPREME		STREET MASTER		SELECTRO Classic	NUT CONVERSION KIT If required
	Chrome	Stainless	Chrome	Stainless		
3/4-Ton W/3500 Axle ex. F/T 4WD '63-'77	423					
F-250 H.D. ex. F/T 4WD '59-'87, '90-96 (A,B)		449SS				95-32721
1-Ton Dana 50 & 60 Axle '90-'04 (A)		449SS				95-32721
F-350, 450 Dana 50 & 60 Axle '76-'02 (A)		449SS				
1-Ton Pickup '56-'72					11025-01	
F-600, F-700 4WD Conv '74-'83					11025-01	
RDS 75 Axle					11038-01	
RDS 90 Axle '84-'94					11162-01	
Geo						
Tracker (All)	436					
International Harvester						
Scout '61-'71	481					
Scout II (ex. F/T 4WD) '72-'80	457					
1/2-Ton Pickup '64-'73		104	302	103		
1/2-Ton Pickup '74-'75	457					
Travelall 1/2-Ton '64-'73		104	302	103		
Travelall 1/2-Ton '74-'75	457					
3/4-Ton Pickup '56-'75	423					
Travelall 3/4-Ton '56-'75	423					
1-Ton w/9000# Axle (21 Spline)					11021-01	
1 Ton H.D. 200 w/FA-20 Axle					11034-01	
International Hub					11166-01	
Mazda						
Pickup '94-'97 (A), Navajo '90-'94 (A,C)	428					
Nissan						
All models (6 bolt 10 spline)	434					



HUB APPLICATION GUIDE

VEHICLE Model/Year	SUPREME		STREET MASTER		SELECTRO Classic	NUT CONVERSION KIT If required
	Chrome	Stainless	Chrome	Stainless		
Hardbody '86 1/2-'89 (6-bolt 27-spline)	430					
Patrol '80-'87 (6 bolt 29-spline)	437					
1/2-Ton Pickup '86 1/2-'89 (6-bolt 27-spline)	430					
Pathfinder '86 1/2-'89 (6-bolt 27-spline)	430					
Nissan '90-'96 (6-bolt 28-spline)	435					
Rockwell						
RDS 75 Axle					11038-01	
RDS 90 Axle					11162-01	
RDS 90 Axle 16 Hole					11165-01	
Suzuki						
Sierra, Samurai '82-'98	436					
Sidekick, X-90 '82-'98	436					
Toyota						
Land Cruiser up to '75	410					
Land Cruiser, Pickup '76-'85 (A)	466					
4 Runner 4x4 Pickup '86-'94 (A)	490					
T-100 '93-'98 (A)	490					
Van Previa '86 -'92 (A)	490					
Land Cruiser '63-'75, T-100 '93-'98 (C)						95-29918
Pickup, Hillux, 4 Runner '76-'98						95-29918
New						
35 Spline Dana 70 Hub		459SS				
<p>Notes: A: If OEM automatic hubs, a conversion kit is required to convert manual hubs B: '73 - '79 vehicles with full-time 4 wheel drive will require a transfer case conversion kit. See MileMarker master catalog 4x2 conversion kit. C: See Hub Application section for Supreme, Street Master, Chrome and Stainless Steel hub to replace automatic hubs. Most of these conversion kits are required by Warn hubs, rather than MileMarker hubs.</p>						

HUB SPECIFICATION GUIDE



Selectro No.	M/M Part No.	Bolt Circle	No. of Bolts	No. of Splines	Axle O.D.
11001			Internal	19	1.250
11002	104		Internal	19	1.250
11003	423	3.75	6	19	1.250
11007		3.543	6	29	1.187
11008	430	3.260	6	27	1.094
11009		3.465	6	10	1.250
11010		3.543	6	6	1.156
11012	435	3.260	6	28	1.143
11016		2.844	8	16	1.250
11017		3.968	8	21	1.375
11018		3.750	6	10	1.125
11020	420	3.750	6	10	1.125
11021		4.375	6	21	1.375
11022		4.000	6	16	1.437
11023	470	3.44	5	27	1.187
11024	481	4.437	6	10	1.125
	427	4.500	5	23	1.016
	436	3.543	6	26	1.080
11025		3.875	6	16	1.250
11026		3.125	8	16	1.250
11027		4.000	6	16	1.250
11028	457	3.437	6	27	1.187
11032	432	3.750	6	24	1.250
11033		3.937	6	16	1.250
11034		3.960	8	30	1.312
11035		4.375	6	21	1.375
11038		5.563	8	30	1.594
11039	466	3.543	6	30	1.300
11041	490	3.543	6	26	1.100
	449SS		Internal	30	1.312
	459SS		Internal	35	1.500
11162		5.563	8	34	1.750
11165		5.563	16	34	1.750
11166		5.375	8	34	1.750
95-37044			4.500	5	1.250
	428	4.50	5	27	1.206

GEAR RATIO



Gear Ratio	Tire Diameter															
	24	25	26	27	28	29	30	31	32	33	34	35	38	40	42	44
2.56	1971	1892	1820	1752	1690	1631	1577	1526	1478	1434	1391	1352	1245	1183	1126	1075
2.73	2102	2018	1940	1869	1802	1740	1682	1627	1577	1529	1484	1441	1328	1261	1201	1147
2.94	2264	2173	2090	2012	1940	1873	1811	1753	1698	1646	1598	1552	1430	1358	1294	1235
3.08	2372	2277	2189	2108	2033	1963	1897	1836	1779	1725	1674	1626	1498	1423	1355	1294
3.21	2472	2373	2282	2197	2119	2046	1977	1914	1854	1798	1745	1695	1561	1483	1412	1348
3.31	2549	2447	2353	2266	2185	2109	2039	1973	1912	1854	1799	1748	1610	1529	1456	1390
3.42	2633	2528	2431	2341	2257	2179	2107	2039	1975	1915	1859	1806	1663	1580	1505	1436
3.54	2726	2617	2516	2423	2336	2256	2181	2110	2044	1982	1924	1869	1722	1635	1558	1487
3.73	2872	2757	2651	2553	2462	2377	2298	2224	2154	2089	2027	1969	1814	1723	1641	1567
3.90	3003	2883	2772	2669	2574	2485	2402	2325	2252	2184	2120	2059	1897	1802	1716	1638
4.10	3157	3031	2914	2806	2706	2613	2526	2444	2368	2296	2228	2165	1994	1894	1804	1722
4.27	3288	3156	3035	2923	2818	2721	2630	2545	2466	2391	2321	2255	2077	1973	1879	1793
4.56	3511	3371	3241	3121	3010	2906	2809	2718	2633	2554	2478	2408	2218	2107	2006	1915
4.88	3758	3607	3469	3340	3221	3110	3006	2909	2818	2733	2652	2577	2373	2255	2147	2050
5.29	4073	3910	3760	3621	3491	3371	3259	3154	3055	2962	2875	2793	2573	2444	2328	2222
5.38	4143	3977	3824	3682	3551	3428	3314	3207	3107	3013	2924	2841	2616	2486	2367	2260
5.71	4397	4221	4058	3908	3769	3639	3517	3404	3298	3198	3104	3015	2777	2638	2512	2398
6.17	4751	4561	4385	4223	4072	3932	3801	3678	3563	3455	3354	3258	3001	2851	2715	2591
7.17	5521	5300	5096	4907	4732	4569	4417	4274	4141	4015	3897	3786	3487	3313	3155	3011

Please note that the calculations above were calculated at 88.5 Km/h (55 mph)



Notes



A series of horizontal lines for taking notes, starting from the top of the page and extending down to the footer area.

Notes



A series of horizontal lines forming a ruled area for notes, starting below the "Notes" header and extending to the bottom of the page.

